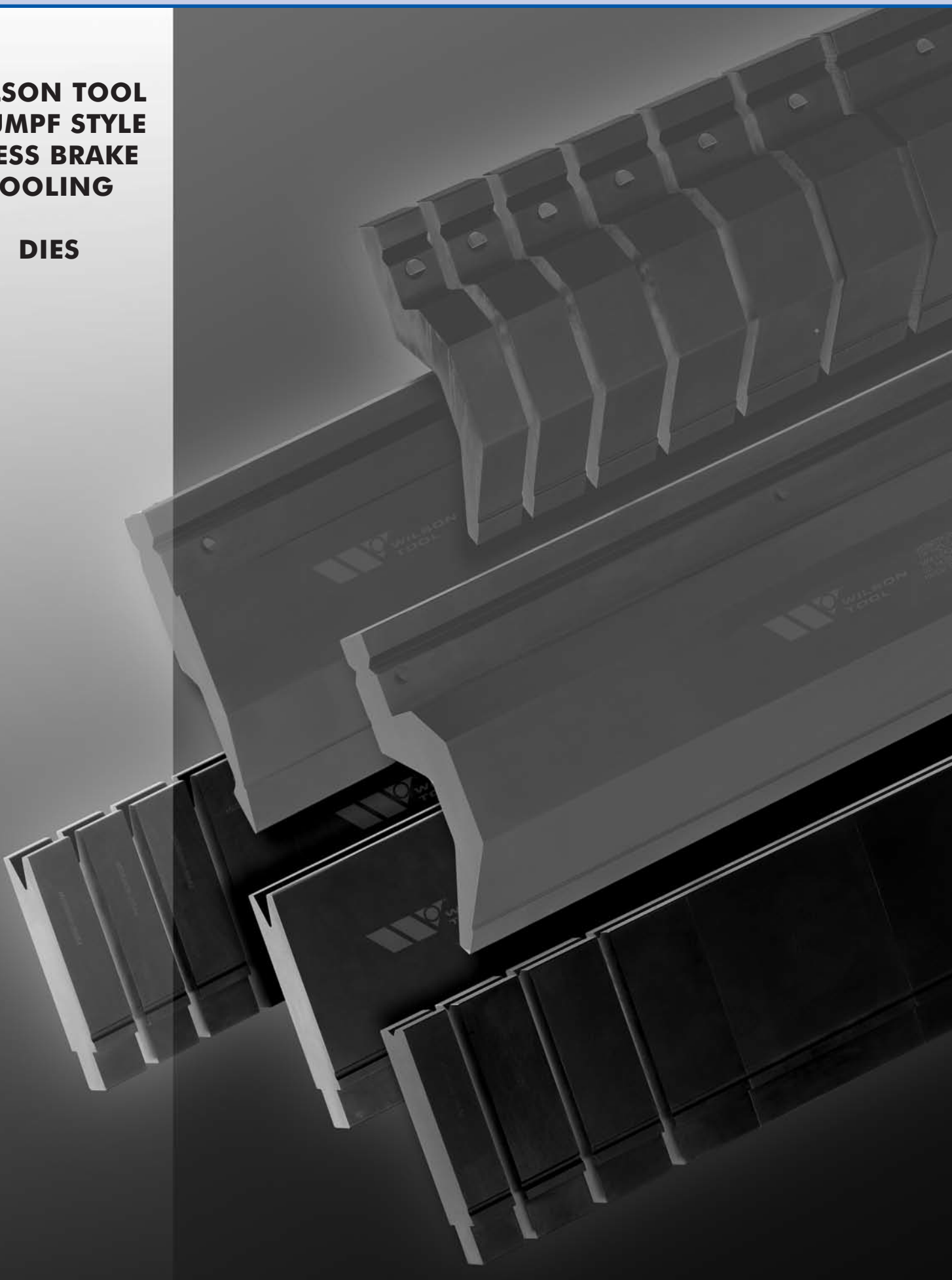


**WILSON TOOL
TRUMPF STYLE
PRESS BRAKE
TOOLING**

DIES



Contents Page

Page 1.....	Terms and Conditions
Pages 2 - 4.....	Die V-Opening = 4mm & 5mm
Pages 5 - 8.....	Die V-Opening = 6mm
Pages 9 - 12.....	Die V-Opening = 8mm
Pages 13 - 16.....	Die V-Opening = 10mm
Pages 17 - 20.....	Die V-Opening = 12mm
Pages 21 - 22.....	Die V-Opening = 16mm
Pages 23 - 24.....	Die V-Opening = 20mm
Pages 25 - 26.....	Die V-Opening = 24mm
Pages 27 - 28.....	Die V-Opening = 30mm
Page 29.....	Die V-Opening = 40mm
Page 30.....	Die V-Opening = 50mm
Page 31.....	Die V-Opening = 60mm - 70mm
Page 32.....	Die V-Opening = 80mm - 90mm
Page 33.....	Die V-Opening = 100mm
Page 34.....	Hemming
Page 35.....	System Divisions with tools
Page 36.....	Press Force Table
Page 37.....	Notes

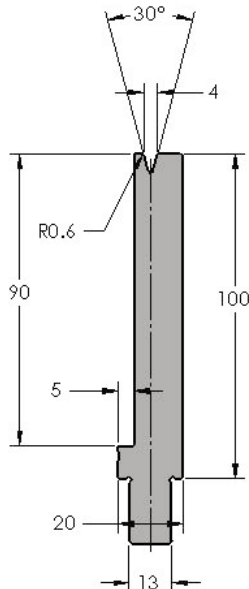
- Order** Minimum order is £35.00.
- Credit** All orders are subject to the approval of our credit department. If you are a new account, please furnish us with a bank reference and three supplier references. A credit limit will be imposed on new accounts until credit has been established.
- Payment** Terms are net 30 days.
- Cancellation** In the event an order is cancelled, a charge will be made to cover labour, materials and overheads.
- Returned Material** A handling charge of 25% is made on all standard parts returned for credit. Written permission and shipping instructions must be obtained before the return of any material. Special tooling cannot be returned.
- Claims** All claims for shortages must be made within 3 days of the invoice date.
- Prices** Prices and specifications subject to change without prior notice. E & O E. All prices are exclusive of VAT.
- Delivery Charge** All orders are subject to a delivery charge. Please call the sales desk for a delivery quotation.

Die V-Opening = 4mm & 5mm

DIES

WILSON CAT. NO.	E65130004
TRUMPF CAT. NO.	EV/S-W4/30°
V-OPENING	4
ANGLE	30°
HEIGHT	100

BOLT HOLES STANDARD



MAXIMUM LOADING: 150 KN/m

VERSION B

DESCRIPTION	CAT. NO.	PRICE
Length 4050	E65130004-4050B	
Length 3050	E65130004-3050B	
Length 2550	E65130004-2550B	
Length 2050	E65130004-2050B	
Length 1250	E65130004-1250B	

VERSION A

DESCRIPTION	CAT. NO.	PRICE
Length 4050	E65130004-4050A	
Length 3050	E65130004-3050A	
Length 2550	E65130004-2550A	
Length 2050	E65130004-2050A	
Length 1250	E65130004-1250A	

SECTIONALISED

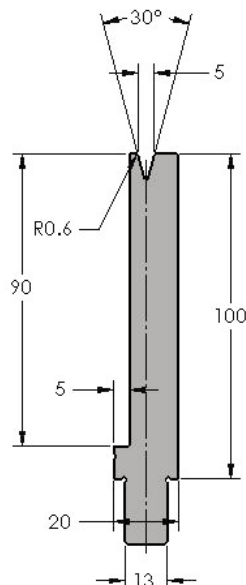
DESCRIPTION	CAT. NO.	PRICE
Length 250	E65130004-250	

SINGLE

DESCRIPTION	CAT. NO.	PRICE
500	E65130004-500	
300	E65130004-300	
200	E65130004-200	
100	E65130004-100	
50	E65130004-50	
45	E65130004-45	
40	E65130004-40	
35	E65130004-35	
30	E65130004-30	
25	E65130004-25	

WILSON CAT. NO.	E65130005
TRUMPF CAT. NO.	EV/S-W5/30°
V-OPENING	5
ANGLE	30°
HEIGHT	100

BOLT HOLES STANDARD



MAXIMUM LOADING: 150 KN/m

VERSION B

DESCRIPTION	CAT. NO.	PRICE
Length 4050	E65130005-4050B	
Length 3050	E65130005-3050B	
Length 2550	E65130005-2550B	
Length 2050	E65130005-2050B	
Length 1250	E65130005-1250B	

VERSION A

DESCRIPTION	CAT. NO.	PRICE
Length 4050	E65130005-4050A	
Length 3050	E65130005-3050A	
Length 2550	E65130005-2550A	
Length 2050	E65130005-2050A	
Length 1250	E65130005-1250A	

SECTIONALISED

DESCRIPTION	CAT. NO.	PRICE
Length 250	E65130005-250	

SINGLE

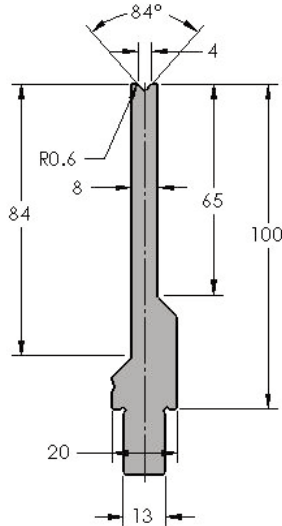
DESCRIPTION	CAT. NO.	PRICE
500	E65130005-500	
300	E65130005-300	
200	E65130005-200	
100	E65130005-100	
50	E65130005-50	
45	E65130005-45	
40	E65130005-40	
35	E65130005-35	
30	E65130005-30	
25	E65130005-25	

Dimensions in mm

Die V-Opening = 4mm & 5mm

DIES

WILSON CAT. NO.	E65184004
TRUMPF CAT. NO.	EV/S-W4/84°
V-OPENING	4
ANGLE	84°
HEIGHT	100



MAXIMUM LOADING: 250 KN/m

VERSION B

DESCRIPTION	CAT. NO.	PRICE
Length 4050	E65184004-4050B	
Length 3050	E65184004-3050B	
Length 2550	E65184004-2550B	
Length 2050	E65184004-2050B	
Length 1250	E65184004-1250B	

VERSION A

DESCRIPTION	CAT. NO.	PRICE
Length 4050	E65184004-4050A	
Length 3050	E65184004-3050A	
Length 2550	E65184004-2550A	
Length 2050	E65184004-2050A	
Length 1250	E65184004-1250A	

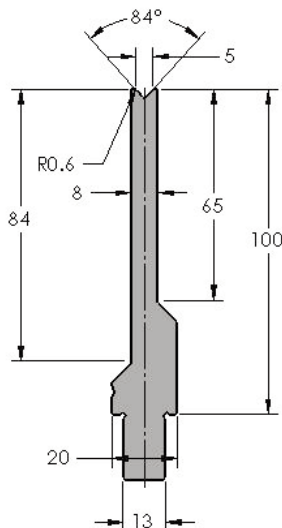
SECTIONALISED

DESCRIPTION	CAT. NO.	PRICE
Length 250	E65184004-250	

SINGLE

DESCRIPTION	CAT. NO.	PRICE
500	E65184004-500	
300	E65184004-300	
200	E65184004-200	
100	E65184004-100	
50	E65184004-50	
45	E65184004-45	
40	E65184004-40	
35	E65184004-35	
30	E65184004-30	
25	E65184004-25	

WILSON CAT. NO.	E65184005
TRUMPF CAT. NO.	EV/S-W5/84°
V-OPENING	5
ANGLE	84°
HEIGHT	100



MAXIMUM LOADING: 250 KN/m

VERSION B

DESCRIPTION	CAT. NO.	PRICE
Length 4050	E65184005-4050B	
Length 3050	E65184005-3050B	
Length 2550	E65184005-2550B	
Length 2050	E65184005-2050B	
Length 1250	E65184005-1250B	

VERSION A

DESCRIPTION	CAT. NO.	PRICE
Length 4050	E65184005-4050A	
Length 3050	E65184005-3050A	
Length 2550	E65184005-2550A	
Length 2050	E65184005-2050A	
Length 1250	E65184005-1250A	

SECTIONALISED

DESCRIPTION	CAT. NO.	PRICE
Length 250	E65184005-250	

SINGLE

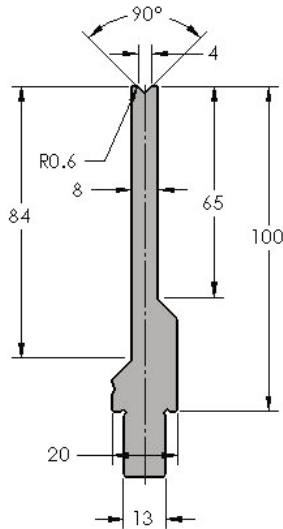
DESCRIPTION	CAT. NO.	PRICE
500	E65184005-500	
300	E65184005-300	
200	E65184005-200	
100	E65184005-100	
50	E65184005-50	
45	E65184005-45	
40	E65184005-40	
35	E65184005-35	
30	E65184005-30	
25	E65184005-25	

Dimensions in mm

Die V-Opening = 4mm & 5mm

DIES

WILSON CAT. NO.	E65190004
TRUMPF CAT. NO.	EV/S-W4/90°
V-OPENING	4
ANGLE	90°
HEIGHT	100



MAXIMUM LOADING: 250 KN/m

VERSION B

DESCRIPTION	CAT. NO.	PRICE
Length 4050	E65190004-4050B	
Length 3050	E65190004-3050B	
Length 2550	E65190004-2550B	
Length 2050	E65190004-2050B	
Length 1250	E65190004-1250B	

VERSION A

DESCRIPTION	CAT. NO.	PRICE
Length 4050	E65190004-4050A	
Length 3050	E65190004-3050A	
Length 2550	E65190004-2550A	
Length 2050	E65190004-2050A	
Length 1250	E65190004-1250A	

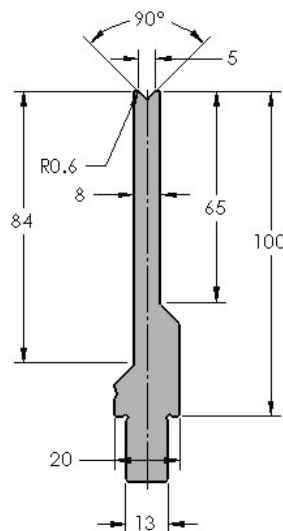
SECTIONALISED

DESCRIPTION	CAT. NO.	PRICE
Length 250	E65190004-250	

SINGLE

DESCRIPTION	CAT. NO.	PRICE
500	E65190004-500	
300	E65190004-300	
200	E65190004-200	
100	E65190004-100	
50	E65190004-50	
45	E65190004-45	
40	E65190004-40	
35	E65190004-35	
30	E65190004-30	
25	E65190004-25	

WILSON CAT. NO.	E65190005
TRUMPF CAT. NO.	EV/S-W5/90°
V-OPENING	5
ANGLE	90°
HEIGHT	100



MAXIMUM LOADING: 390 KN/m

VERSION B

DESCRIPTION	CAT. NO.	PRICE
Length 4050	E65190005-4050B	
Length 3050	E65190005-3050B	
Length 2550	E65190005-2550B	
Length 2050	E65190005-2050B	
Length 1250	E65190005-1250B	

VERSION A

DESCRIPTION	CAT. NO.	PRICE
Length 4050	E65190005-4050A	
Length 3050	E65190005-3050A	
Length 2550	E65190005-2550A	
Length 2050	E65190005-2050A	
Length 1250	E65190005-1250A	

SECTIONALISED

DESCRIPTION	CAT. NO.	PRICE
Length 250	E65190005-250	

SINGLE

DESCRIPTION	CAT. NO.	PRICE
500	E65190005-500	
300	E65190005-300	
200	E65190005-200	
100	E65190005-100	
50	E65190005-50	
45	E65190005-45	
40	E65190005-40	
35	E65190005-35	
30	E65190005-30	
25	E65190005-25	

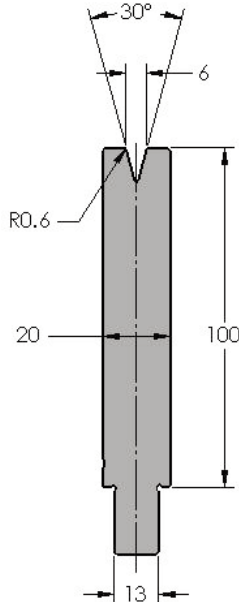
Dimensions in mm

Die V-Opening = 6mm

DIES

WILSON CAT. NO.	E65030006
TRUMPF CAT. NO.	EV001 30°
V-OPENING	6
ANGLE	30°
HEIGHT	100

BOLT HOLES STANDARD



MAXIMUM LOADING: 400 KN/m

VERSION B

DESCRIPTION	CAT. NO.	PRICE
Length 4050	E65030006-4050B	
Length 3050	E65030006-3050B	
Length 2550	E65030006-2550B	
Length 2050	E65030006-2050B	
Length 1250	E65030006-1250B	

VERSION A

DESCRIPTION	CAT. NO.	PRICE
Length 4050	E65030006-4050A	
Length 3050	E65030006-3050A	
Length 2550	E65030006-2550A	
Length 2050	E65030006-2050A	
Length 1250	E65030006-1250A	

SECTIONALISED

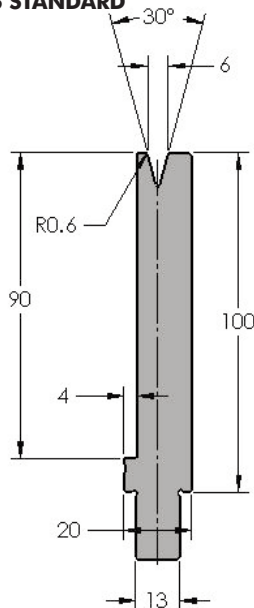
DESCRIPTION	CAT. NO.	PRICE
Length 250	E65030006-250	

SINGLE

DESCRIPTION	CAT. NO.	PRICE
500	E65030006-500	
300	E65030006-300	
200	E65030006-200	
100	E65030006-100	
50	E65030006-50	
45	E65030006-45	
40	E65030006-40	
35	E65030006-35	
30	E65030006-30	
25	E65030006-25	

WILSON CAT. NO.	E65130006
TRUMPF CAT. NO.	EV001/S 30°
V-OPENING	6
ANGLE	30°
HEIGHT	100

BOLT HOLES STANDARD



MAXIMUM LOADING: 170 KN/m

VERSION B

DESCRIPTION	CAT. NO.	PRICE
Length 4050	E65130006-4050B	
Length 3050	E65130006-3050B	
Length 2550	E65130006-2550B	
Length 2050	E65130006-2050B	
Length 1250	E65130006-1250B	

VERSION A

DESCRIPTION	CAT. NO.	PRICE
Length 4050	E65130006-4050A	
Length 3050	E65130006-3050A	
Length 2550	E65130006-2550A	
Length 2050	E65130006-2050A	
Length 1250	E65130006-1250A	

SECTIONALISED

DESCRIPTION	CAT. NO.	PRICE
Length 250	E65130006-250	

SINGLE

DESCRIPTION	CAT. NO.	PRICE
500	E65130006-500	
300	E65130006-300	
200	E65130006-200	
100	E65130006-100	
50	E65130006-50	
45	E65130006-45	
40	E65130006-40	
35	E65130006-35	
30	E65130006-30	
25	E65130006-25	

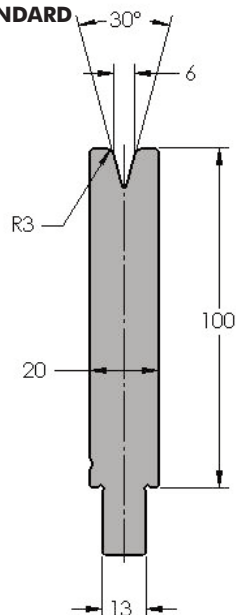
Dimensions in mm

Die V-Opening = 6mm

DIES

WILSON CAT. NO.	E65230006
TRUMPF CAT. NO.	EV001 R3 30°
V-OPENING	6
ANGLE	30°
HEIGHT	100

BOLT HOLES STANDARD



MAXIMUM LOADING: 400 KN/m

VERSION B

DESCRIPTION	CAT. NO.	PRICE
Length 4050	E65230006-4050B	
Length 3050	E65230006-3050B	
Length 2550	E65230006-2550B	
Length 2050	E65230006-2050B	
Length 1250	E65230006-1250B	

VERSION A

DESCRIPTION	CAT. NO.	PRICE
Length 4050	E65230006-4050A	
Length 3050	E65230006-3050A	
Length 2550	E65230006-2550A	
Length 2050	E65230006-2050A	
Length 1250	E65230006-1250A	

SECTIONALISED

DESCRIPTION	CAT. NO.	PRICE
Length 250	E65230006-250	

SINGLE

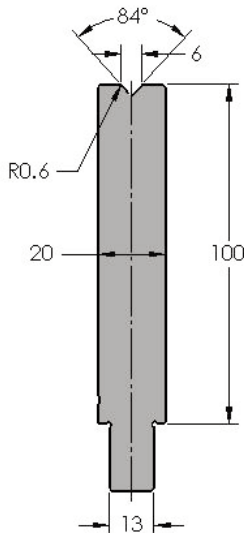
DESCRIPTION	CAT. NO.	PRICE
500	E65230006-500	
300	E65230006-300	
200	E65230006-200	
100	E65230006-100	
50	E65230006-50	
45	E65230006-45	
40	E65230006-40	
35	E65230006-35	
30	E65230006-30	
25	E65230006-25	

Dimensions in mm

Die V-Opening = 6mm

DIES

WILSON CAT. NO.	E65084006
TRUMPF CAT. NO.	EV W6/84°
V-OPENING	6
ANGLE	84°
HEIGHT	100



MAXIMUM LOADING: 400 KN/m

VERSION B

DESCRIPTION	CAT. NO.	PRICE
Length 4050	E65084006-4050B	
Length 3050	E65084006-3050B	
Length 2550	E65084006-2550B	
Length 2050	E65084006-2050B	
Length 1250	E65084006-1250B	

VERSION A

DESCRIPTION	CAT. NO.	PRICE
Length 4050	E65084006-4050A	
Length 3050	E65084006-3050A	
Length 2550	E65084006-2550A	
Length 2050	E65084006-2050A	
Length 1250	E65084006-1250A	

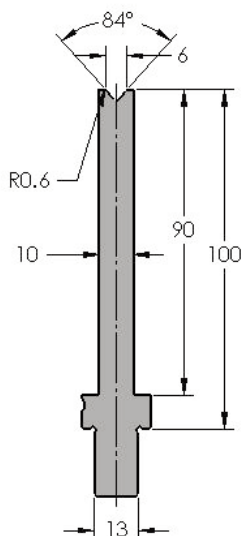
SECTIONALISED

DESCRIPTION	CAT. NO.	PRICE
Length 250	E65084006-250	

SINGLE

DESCRIPTION	CAT. NO.	PRICE
500	E65084006-500	
300	E65084006-300	
200	E65084006-200	
100	E65084006-100	
50	E65084006-50	
45	E65084006-45	
40	E65084006-40	
35	E65084006-35	
30	E65084006-30	
25	E65084006-25	

WILSON CAT. NO.	E65184006
TRUMPF CAT. NO.	EV/S W6/84°
V-OPENING	6
ANGLE	84°
HEIGHT	100



MAXIMUM LOADING: 250 KN/m

VERSION B

DESCRIPTION	CAT. NO.	PRICE
Length 4050	E65184006-4050B	
Length 3050	E65184006-3050B	
Length 2550	E65184006-2550B	
Length 2050	E65184006-2050B	
Length 1250	E65184006-1250B	

VERSION A

DESCRIPTION	CAT. NO.	PRICE
Length 4050	E65184006-4050A	
Length 3050	E65184006-3050A	
Length 2550	E65184006-2550A	
Length 2050	E65184006-2050A	
Length 1250	E65184006-1250A	

SECTIONALISED

DESCRIPTION	CAT. NO.	PRICE
Length 250	E65184006-250	

SINGLE

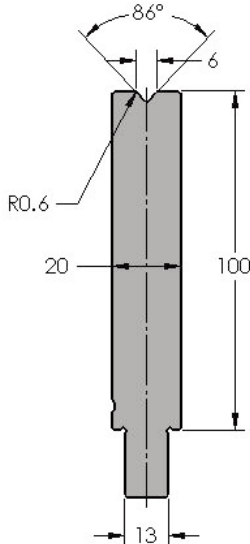
DESCRIPTION	CAT. NO.	PRICE
500	E65184006-500	
300	E65184006-300	
200	E65184006-200	
100	E65184006-100	
50	E65184006-50	
45	E65184006-45	
40	E65184006-40	
35	E65184006-35	
30	E65184006-30	
25	E65184006-25	

Dimensions in mm

Die V-Opening = 6mm

DIES

WILSON CAT. NO.	E65086006
TRUMPF CAT. NO.	EV020 86°
V-OPENING	6
ANGLE	86°
HEIGHT	100



MAXIMUM LOADING: 400 KN/m

VERSION B

DESCRIPTION	CAT. NO.	PRICE
Length 4050	E65086006-4050B	
Length 3050	E65086006-3050B	
Length 2550	E65086006-2550B	
Length 2050	E65086006-2050B	
Length 1250	E65086006-1250B	

VERSION A

DESCRIPTION	CAT. NO.	PRICE
Length 4050	E65086006-4050A	
Length 3050	E65086006-3050A	
Length 2550	E65086006-2550A	
Length 2050	E65086006-2050A	
Length 1250	E65086006-1250A	

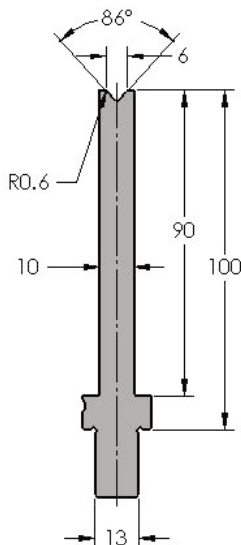
SECTIONALISED

DESCRIPTION	CAT. NO.	PRICE
Length 250	E65086006-250	

SINGLE

DESCRIPTION	CAT. NO.	PRICE
500	E65086006-500	
300	E65086006-300	
200	E65086006-200	
100	E65086006-100	
50	E65086006-50	
45	E65086006-45	
40	E65086006-40	
35	E65086006-35	
30	E65086006-30	
25	E65086006-25	

WILSON CAT. NO.	E65186006
TRUMPF CAT. NO.	EV020/S 86°
V-OPENING	6
ANGLE	86°
HEIGHT	100



MAXIMUM LOADING: 240 KN/m

Dimensions in mm

VERSION B

DESCRIPTION	CAT. NO.	PRICE
Length 4050	E65186006-4050B	
Length 3050	E65186006-3050B	
Length 2550	E65186006-2550B	
Length 2050	E65186006-2050B	
Length 1250	E65186006-1250B	

VERSION A

DESCRIPTION	CAT. NO.	PRICE
Length 4050	E65186006-4050A	
Length 3050	E65186006-3050A	
Length 2550	E65186006-2550A	
Length 2050	E65186006-2050A	
Length 1250	E65186006-1250A	

SECTIONALISED

DESCRIPTION	CAT. NO.	PRICE
Length 250	E65186006-250	

SINGLE

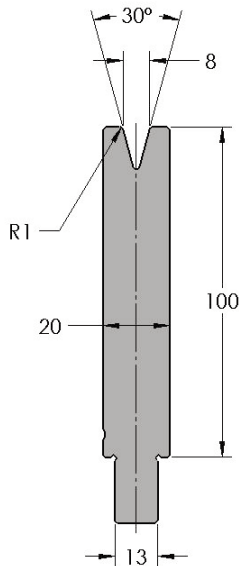
DESCRIPTION	CAT. NO.	PRICE
500	E65186006-500	
300	E65186006-300	
200	E65186006-200	
100	E65186006-100	
50	E65186006-50	
45	E65186006-45	
40	E65186006-40	
35	E65186006-35	
30	E65186006-30	
25	E65186006-25	

Die V-Opening = 8mm

DIES

WILSON CAT. NO.	E65030008
TRUMPF CAT. NO.	EV002 30°
V-OPENING	8
ANGLE	30°
HEIGHT	100

BOLT HOLES STANDARD



MAXIMUM LOADING: 400 KN/m

VERSION B

DESCRIPTION	CAT. NO.	PRICE
Length 4050	E65030008-4050B	
Length 3050	E65030008-3050B	
Length 2550	E65030008-2550B	
Length 2050	E65030008-2050B	
Length 1250	E65030008-1250B	

VERSION A

DESCRIPTION	CAT. NO.	PRICE
Length 4050	E65030008-4050A	
Length 3050	E65030008-3050A	
Length 2550	E65030008-2550A	
Length 2050	E65030008-2050A	
Length 1250	E65030008-1250A	

SECTIONALISED

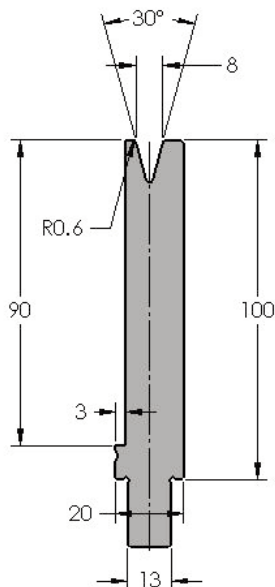
DESCRIPTION	CAT. NO.	PRICE
Length 250	E65030008-250	

SINGLE

DESCRIPTION	CAT. NO.	PRICE
500	E65030008-500	
300	E65030008-300	
200	E65030008-200	
100	E65030008-100	
50	E65030008-50	
45	E65030008-45	
40	E65030008-40	
35	E65030008-35	
30	E65030008-30	
25	E65030008-25	

WILSON CAT. NO.	E65130008
TRUMPF CAT. NO.	EV002/S 30°
V-OPENING	8
ANGLE	30°
HEIGHT	100

BOLT HOLES STANDARD



MAXIMUM LOADING: 200 KN/m

VERSION B

DESCRIPTION	CAT. NO.	PRICE
Length 4050	E65130008-4050B	
Length 3050	E65130008-3050B	
Length 2550	E65130008-2550B	
Length 2050	E65130008-2050B	
Length 1250	E65130008-1250B	

VERSION A

DESCRIPTION	CAT. NO.	PRICE
Length 4050	E65130008-4050A	
Length 3050	E65130008-3050A	
Length 2550	E65130008-2550A	
Length 2050	E65130008-2050A	
Length 1250	E65130008-1250A	

SECTIONALISED

DESCRIPTION	CAT. NO.	PRICE
Length 250	E65130008-250	

SINGLE

DESCRIPTION	CAT. NO.	PRICE
500	E65130008-500	
300	E65130008-300	
200	E65130008-200	
100	E65130008-100	
50	E65130008-50	
45	E65130008-45	
40	E65130008-40	
35	E65130008-35	
30	E65130008-30	
25	E65130008-25	

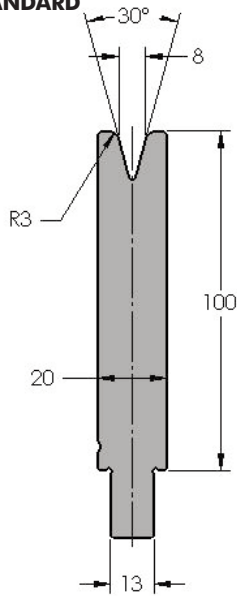
Dimensions in mm

Die V-Opening = 8mm

DIES

WILSON CAT. NO.	E65230008
TRUMPF CAT. NO.	EV002 R3 30°
V-OPENING	8
ANGLE	30°
HEIGHT	100

BOLT HOLES STANDARD



MAXIMUM LOADING: 400 KN/m

VERSION B

DESCRIPTION	CAT. NO.	PRICE
Length 4050	E65230008-4050B	
Length 3050	E65230008-3050B	
Length 2550	E65230008-2550B	
Length 2050	E65230008-2050B	
Length 1250	E65230008-1250B	

VERSION A

DESCRIPTION	CAT. NO.	PRICE
Length 4050	E65230008-4050A	
Length 3050	E65230008-3050A	
Length 2550	E65230008-2550A	
Length 2050	E65230008-2050A	
Length 1250	E65230008-1250A	

SECTIONALISED

DESCRIPTION	CAT. NO.	PRICE
Length 250	E65230008-250	

SINGLE

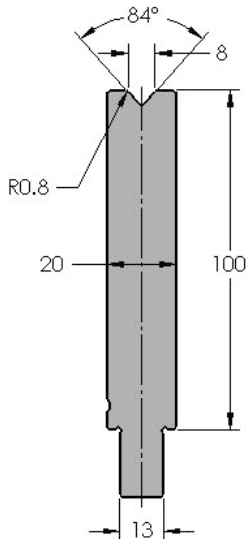
DESCRIPTION	CAT. NO.	PRICE
500	E65230008-500	
300	E65230008-300	
200	E65230008-200	
100	E65230008-100	
50	E65230008-50	
45	E65230008-45	
40	E65230008-40	
35	E65230008-35	
30	E65230008-30	
25	E65230008-25	

Dimensions in mm

Die V-Opening = 8mm

DIES

WILSON CAT. NO.	E65084008
TRUMPF CAT. NO.	EV W8/84°
V-OPENING	8
ANGLE	84°
HEIGHT	100



MAXIMUM LOADING: 400 KN/m

VERSION B

DESCRIPTION	CAT. NO.	PRICE
Length 4050	E65084008-4050B	
Length 3050	E65084008-3050B	
Length 2550	E65084008-2550B	
Length 2050	E65084008-2050B	
Length 1250	E65084008-1250B	

VERSION A

DESCRIPTION	CAT. NO.	PRICE
Length 4050	E65084008-4050A	
Length 3050	E65084008-3050A	
Length 2550	E65084008-2550A	
Length 2050	E65084008-2050A	
Length 1250	E65084008-1250A	

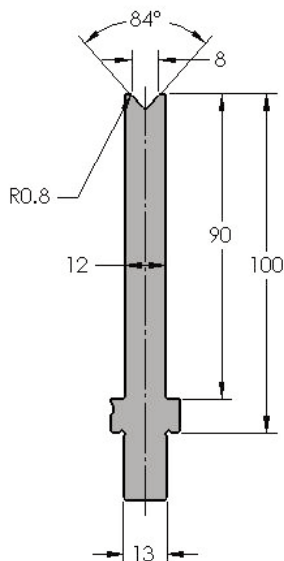
SECTIONALISED

DESCRIPTION	CAT. NO.	PRICE
Length 250	E65084008-250	

SINGLE

DESCRIPTION	CAT. NO.	PRICE
500	E65084008-500	
300	E65084008-300	
200	E65084008-200	
100	E65084008-100	
50	E65084008-50	
45	E65084008-45	
40	E65084008-40	
35	E65084008-35	
30	E65084008-30	
25	E65084008-25	

WILSON CAT. NO.	E65184008
TRUMPF CAT. NO.	EV/S W8/84°
V-OPENING	8
ANGLE	84°
HEIGHT	100



MAXIMUM LOADING: 350 KN/m

VERSION B

DESCRIPTION	CAT. NO.	PRICE
Length 4050	E65184008-4050B	
Length 3050	E65184008-3050B	
Length 2550	E65184008-2550B	
Length 2050	E65184008-2050B	
Length 1250	E65184008-1250B	

VERSION A

DESCRIPTION	CAT. NO.	PRICE
Length 4050	E65184008-4050A	
Length 3050	E65184008-3050A	
Length 2550	E65184008-2550A	
Length 2050	E65184008-2050A	
Length 1250	E65184008-1250A	

SECTIONALISED

DESCRIPTION	CAT. NO.	PRICE
Length 250	E65184008-250	

SINGLE

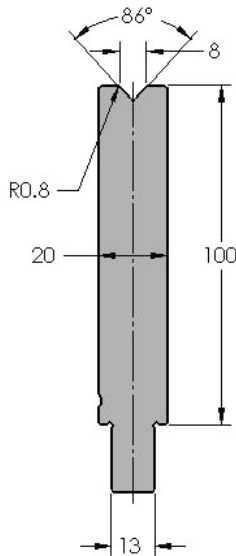
DESCRIPTION	CAT. NO.	PRICE
500	E65184008-500	
300	E65184008-300	
200	E65184008-200	
100	E65184008-100	
50	E65184008-50	
45	E65184008-45	
40	E65184008-40	
35	E65184008-35	
30	E65184008-30	
25	E65184008-25	

Dimensions in mm

Die V-Opening = 8mm

DIES

WILSON CAT. NO.	E65086008
TRUMPF CAT. NO.	EV021 86°
V-OPENING	8
ANGLE	86°
HEIGHT	100



MAXIMUM LOADING: 400 KN/m

VERSION B

DESCRIPTION	CAT. NO.	PRICE
Length 4050	E65086008-4050B	
Length 3050	E65086008-3050B	
Length 2550	E65086008-2550B	
Length 2050	E65086008-2050B	
Length 1250	E65086008-1250B	

VERSION A

DESCRIPTION	CAT. NO.	PRICE
Length 4050	E65086008-4050A	
Length 3050	E65086008-3050A	
Length 2550	E65086008-2550A	
Length 2050	E65086008-2050A	
Length 1250	E65086008-1250A	

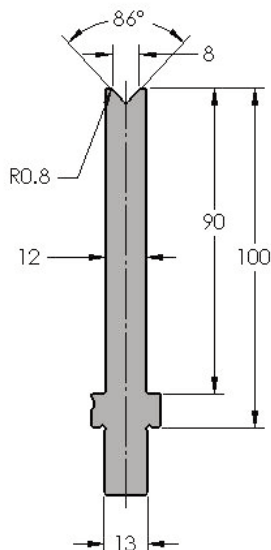
SECTIONALISED

DESCRIPTION	CAT. NO.	PRICE
Length 250	E65086008-250	

SINGLE

DESCRIPTION	CAT. NO.	PRICE
500	E65086008-500	
300	E65086008-300	
200	E65086008-200	
100	E65086008-100	
50	E65086008-50	
45	E65086008-45	
40	E65086008-40	
35	E65086008-35	
30	E65086008-30	
25	E65086008-25	

WILSON CAT. NO.	E65186008
TRUMPF CAT. NO.	EV021/S 86°
V-OPENING	8
ANGLE	86°
HEIGHT	100



MAXIMUM LOADING: 310 KN/m

VERSION B

DESCRIPTION	CAT. NO.	PRICE
Length 4050	E65186008-4050B	
Length 3050	E65186008-3050B	
Length 2550	E65186008-2550B	
Length 2050	E65186008-2050B	
Length 1250	E65186008-1250B	

VERSION A

DESCRIPTION	CAT. NO.	PRICE
Length 4050	E65186008-4050A	
Length 3050	E65186008-3050A	
Length 2550	E65186008-2550A	
Length 2050	E65186008-2050A	
Length 1250	E65186008-1250A	

SECTIONALISED

DESCRIPTION	CAT. NO.	PRICE
Length 250	E65186008-250	

SINGLE

DESCRIPTION	CAT. NO.	PRICE
500	E65186008-500	
300	E65186008-300	
200	E65186008-200	
100	E65186008-100	
50	E65186008-50	
45	E65186008-45	
40	E65186008-40	
35	E65186008-35	
30	E65186008-30	
25	E65186008-25	

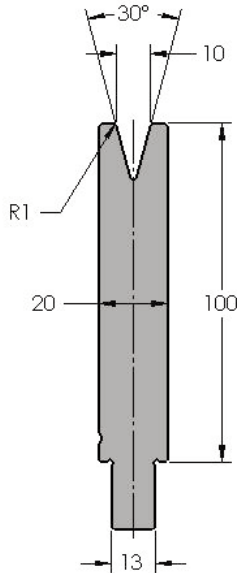
Dimensions in mm

Die V-Opening = 10mm

DIES

WILSON CAT. NO.	E65030010
TRUMPF CAT. NO.	EV003 30°
V-OPENING	10
ANGLE	30°
HEIGHT	100

BOLT HOLES STANDARD



MAXIMUM LOADING: 400 KN/m

VERSION B

DESCRIPTION	CAT. NO.	PRICE
Length 4050	E65030010-4050B	
Length 3050	E65030010-3050B	
Length 2550	E65030010-2550B	
Length 2050	E65030010-2050B	
Length 1250	E65030010-1250B	

VERSION A

DESCRIPTION	CAT. NO.	PRICE
Length 4050	E65030010-4050A	
Length 3050	E65030010-3050A	
Length 2550	E65030010-2550A	
Length 2050	E65030010-2050A	
Length 1250	E65030010-1250A	

SECTIONALISED

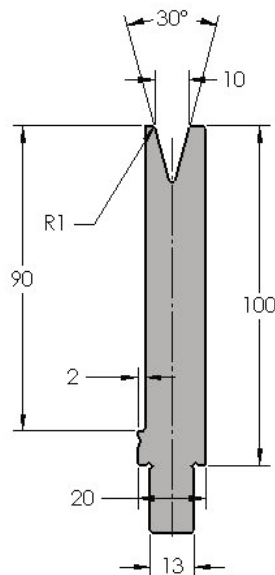
DESCRIPTION	CAT. NO.	PRICE
Length 250	E65030010-250	

SINGLE

DESCRIPTION	CAT. NO.	PRICE
500	E65030010-500	
300	E65030010-300	
200	E65030010-200	
100	E65030010-100	
50	E65030010-50	
45	E65030010-45	
40	E65030010-40	
35	E65030010-35	
30	E65030010-30	
25	E65030010-25	

WILSON CAT. NO.	E65130010
TRUMPF CAT. NO.	EV003/S 30°
V-OPENING	10
ANGLE	30°
HEIGHT	100

BOLT HOLES STANDARD



MAXIMUM LOADING: 200 KN/m

VERSION B

DESCRIPTION	CAT. NO.	PRICE
Length 4050	E65130010-4050B	
Length 3050	E65130010-3050B	
Length 2550	E65130010-2550B	
Length 2050	E65130010-2050B	
Length 1250	E65130010-1250B	

VERSION A

DESCRIPTION	CAT. NO.	PRICE
Length 4050	E65130010-4050A	
Length 3050	E65130010-3050A	
Length 2550	E65130010-2550A	
Length 2050	E65130010-2050A	
Length 1250	E65130010-1250A	

SECTIONALISED

DESCRIPTION	CAT. NO.	PRICE
Length 250	E65130010-250	

SINGLE

DESCRIPTION	CAT. NO.	PRICE
500	E65130010-500	
300	E65130010-300	
200	E65130010-200	
100	E65130010-100	
50	E65130010-50	
45	E65130010-45	
40	E65130010-40	
35	E65130010-35	
30	E65130010-30	
25	E65130010-25	

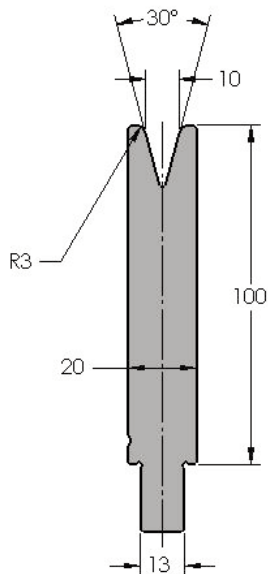
Dimensions in mm

Die V-Opening = 10mm

DIES

WILSON CAT. NO.	E65230010
TRUMPF CAT. NO.	EV003 R3 30°
V-OPENING	10
ANGLE	30°
HEIGHT	100

BOLT HOLES STANDARD



MAXIMUM LOADING: 400 KN/m

VERSION B

DESCRIPTION	CAT. NO.	PRICE
Length 4050	E65230010-4050B	
Length 3050	E65230010-3050B	
Length 2550	E65230010-2550B	
Length 2050	E65230010-2050B	
Length 1250	E65230010-1250B	

VERSION A

DESCRIPTION	CAT. NO.	PRICE
Length 4050	E65230010-4050A	
Length 3050	E65230010-3050A	
Length 2550	E65230010-2550A	
Length 2050	E65230010-2050A	
Length 1250	E65230010-1250A	

SECTIONALISED

DESCRIPTION	CAT. NO.	PRICE
Length 250	E65230010-250	

SINGLE

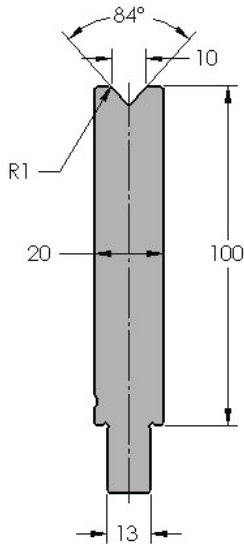
DESCRIPTION	CAT. NO.	PRICE
500	E65230010-500	
300	E65230010-300	
200	E65230010-200	
100	E65230010-100	
50	E65230010-50	
45	E65230010-45	
40	E65230010-40	
35	E65230010-35	
30	E65230010-30	
25	E65230010-25	

Dimensions in mm

Die V-Opening = 10mm

DIES

WILSON CAT. NO.	E65084010
TRUMPF CAT. NO.	EV W10/84°
V-OPENING	10
ANGLE	84°
HEIGHT	100



MAXIMUM LOADING: 500 KN/m

VERSION B

DESCRIPTION	CAT. NO.	PRICE
Length 4050	E65084010-4050B	
Length 3050	E65084010-3050B	
Length 2550	E65084010-2550B	
Length 2050	E65084010-2050B	
Length 1250	E65084010-1250B	

VERSION A

DESCRIPTION	CAT. NO.	PRICE
Length 4050	E65084010-4050A	
Length 3050	E65084010-3050A	
Length 2550	E65084010-2550A	
Length 2050	E65084010-2050A	
Length 1250	E65084010-1250A	

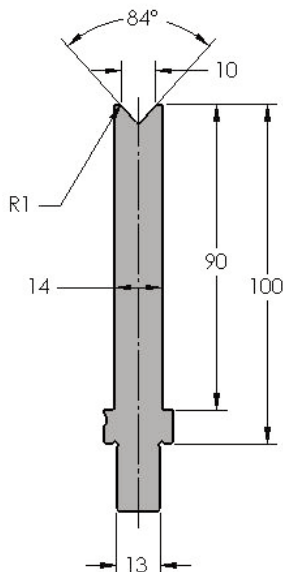
SECTIONALISED

DESCRIPTION	CAT. NO.	PRICE
Length 250	E65084010-250	

SINGLE

DESCRIPTION	CAT. NO.	PRICE
500	E65084010-500	
300	E65084010-300	
200	E65084010-200	
100	E65084010-100	
50	E65084010-50	
45	E65084010-45	
40	E65084010-40	
35	E65084010-35	
30	E65084010-30	
25	E65084010-25	

WILSON CAT. NO.	E65184010
TRUMPF CAT. NO.	EV/S W10/84°
V-OPENING	10
ANGLE	84°
HEIGHT	100



MAXIMUM LOADING: 400 KN/m

VERSION B

DESCRIPTION	CAT. NO.	PRICE
Length 4050	E65184010-4050B	
Length 3050	E65184010-3050B	
Length 2550	E65184010-2550B	
Length 2050	E65184010-2050B	
Length 1250	E65184010-1250B	

VERSION A

DESCRIPTION	CAT. NO.	PRICE
Length 4050	E65184010-4050A	
Length 3050	E65184010-3050A	
Length 2550	E65184010-2550A	
Length 2050	E65184010-2050A	
Length 1250	E65184010-1250A	

SECTIONALISED

DESCRIPTION	CAT. NO.	PRICE
Length 250	E65184010-250	

SINGLE

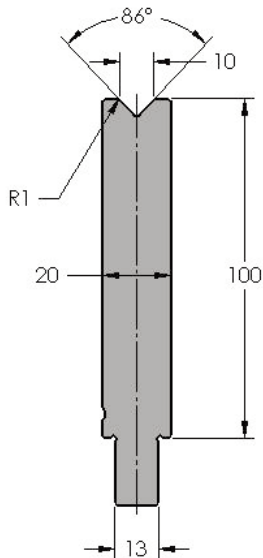
DESCRIPTION	CAT. NO.	PRICE
500	E65184010-500	
300	E65184010-300	
200	E65184010-200	
100	E65184010-100	
50	E65184010-50	
45	E65184010-45	
40	E65184010-40	
35	E65184010-35	
30	E65184010-30	
25	E65184010-25	

Dimensions in mm

Die V-Opening = 10mm

DIES

WILSON CAT. NO.	E65086010
TRUMPF CAT. NO.	EV022 86°
V-OPENING	10
ANGLE	86°
HEIGHT	100



MAXIMUM LOADING: 500 KN/m

VERSION B

DESCRIPTION	CAT. NO.	PRICE
Length 4050	E65086010-4050B	
Length 3050	E65086010-3050B	
Length 2550	E65086010-2550B	
Length 2050	E65086010-2050B	
Length 1250	E65086010-1250B	

VERSION A

DESCRIPTION	CAT. NO.	PRICE
Length 4050	E65086010-4050A	
Length 3050	E65086010-3050A	
Length 2550	E65086010-2550A	
Length 2050	E65086010-2050A	
Length 1250	E65086010-1250A	

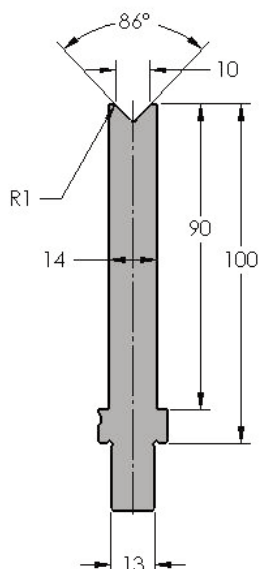
SECTIONALISED

DESCRIPTION	CAT. NO.	PRICE
Length 250	E65086010-250	

SINGLE

DESCRIPTION	CAT. NO.	PRICE
500	E65086010-500	
300	E65086010-300	
200	E65086010-200	
100	E65086010-100	
50	E65086010-50	
45	E65086010-45	
40	E65086010-40	
35	E65086010-35	
30	E65086010-30	
25	E65086010-25	

WILSON CAT. NO.	E65186010
TRUMPF CAT. NO.	EV022/S 86°
V-OPENING	10
ANGLE	86°
HEIGHT	100



MAXIMUM LOADING: 380 KN/m

VERSION B

DESCRIPTION	CAT. NO.	PRICE
Length 4050	E65186010-4050B	
Length 3050	E65186010-3050B	
Length 2550	E65186010-2550B	
Length 2050	E65186010-2050B	
Length 1250	E65186010-1250B	

VERSION A

DESCRIPTION	CAT. NO.	PRICE
Length 4050	E65186010-4050A	
Length 3050	E65186010-3050A	
Length 2550	E65186010-2550A	
Length 2050	E65186010-2050A	
Length 1250	E65186010-1250A	

SECTIONALISED

DESCRIPTION	CAT. NO.	PRICE
Length 250	E65186010-250	

SINGLE

DESCRIPTION	CAT. NO.	PRICE
500	E65186010-500	
300	E65186010-300	
200	E65186010-200	
100	E65186010-100	
50	E65186010-50	
45	E65186010-45	
40	E65186010-40	
35	E65186010-35	
30	E65186010-30	
25	E65186010-25	

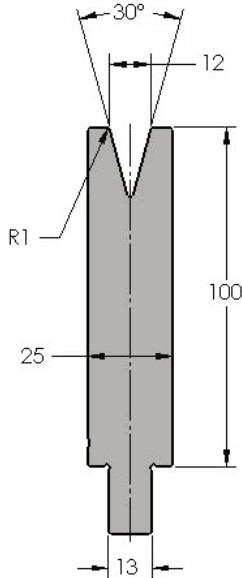
Dimensions in mm

Die V-Opening = 12mm

DIES

WILSON CAT. NO.	E65030012
TRUMPF CAT. NO.	EV004 30°
V-OPENING	12
ANGLE	30°
HEIGHT	100

BOLT HOLES STANDARD



MAXIMUM LOADING: 400 KN/m

VERSION B

DESCRIPTION	CAT. NO.	PRICE
Length 4050	E65030012-4050B	
Length 3050	E65030012-3050B	
Length 2550	E65030012-2550B	
Length 2050	E65030012-2050B	
Length 1250	E65030012-1250B	

VERSION A

DESCRIPTION	CAT. NO.	PRICE
Length 4050	E65030012-4050A	
Length 3050	E65030012-3050A	
Length 2550	E65030012-2550A	
Length 2050	E65030012-2050A	
Length 1250	E65030012-1250A	

SECTIONALISED

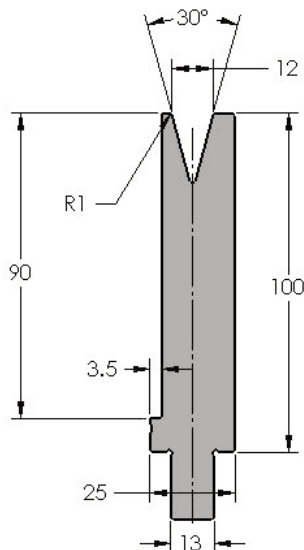
DESCRIPTION	CAT. NO.	PRICE
Length 250	E65030012-250	

SINGLE

DESCRIPTION	CAT. NO.	PRICE
500	E65030012-500	
300	E65030012-300	
200	E65030012-200	
100	E65030012-100	
50	E65030012-50	
45	E65030012-45	
40	E65030012-40	
35	E65030012-35	
30	E65030012-30	
25	E65030012-25	

WILSON CAT. NO.	E65130012
TRUMPF CAT. NO.	EV004/S 30°
V-OPENING	12
ANGLE	30°
HEIGHT	100

BOLT HOLES STANDARD



MAXIMUM LOADING: 200 KN/m

VERSION B

DESCRIPTION	CAT. NO.	PRICE
Length 4050	E65130012-4050B	
Length 3050	E65130012-3050B	
Length 2550	E65130012-2550B	
Length 2050	E65130012-2050B	
Length 1250	E65130012-1250B	

VERSION A

DESCRIPTION	CAT. NO.	PRICE
Length 4050	E65130012-4050A	
Length 3050	E65130012-3050A	
Length 2550	E65130012-2550A	
Length 2050	E65130012-2050A	
Length 1250	E65130012-1250A	

SECTIONALISED

DESCRIPTION	CAT. NO.	PRICE
Length 250	E65130012-250	

SINGLE

DESCRIPTION	CAT. NO.	PRICE
500	E65130012-500	
300	E65130012-300	
200	E65130012-200	
100	E65130012-100	
50	E65130012-50	
45	E65130012-45	
40	E65130012-40	
35	E65130012-35	
30	E65130012-30	
25	E65130012-25	

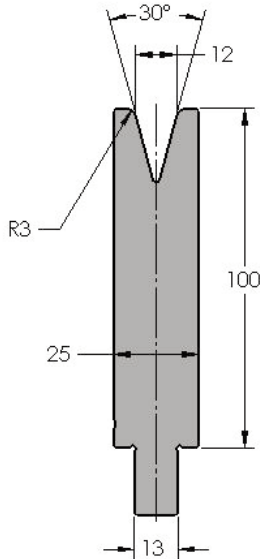
Dimensions in mm

Die V-Opening = 12mm

DIES

WILSON CAT. NO.	E65230012
TRUMPF CAT. NO.	EV004 R3 30°
V-OPENING	12
ANGLE	30°
HEIGHT	100

BOLT HOLES STANDARD



MAXIMUM LOADING: 400 KN/m

VERSION B

DESCRIPTION	CAT. NO.	PRICE
Length 4050	E65230012-4050B	
Length 3050	E65230012-3050B	
Length 2550	E65230012-2550B	
Length 2050	E65230012-2050B	
Length 1250	E65230012-1250B	

VERSION A

DESCRIPTION	CAT. NO.	PRICE
Length 4050	E65230012-4050A	
Length 3050	E65230012-3050A	
Length 2550	E65230012-2550A	
Length 2050	E65230012-2050A	
Length 1250	E65230012-1250A	

SECTIONALISED

DESCRIPTION	CAT. NO.	PRICE
Length 250	E65230012-250	

SINGLE

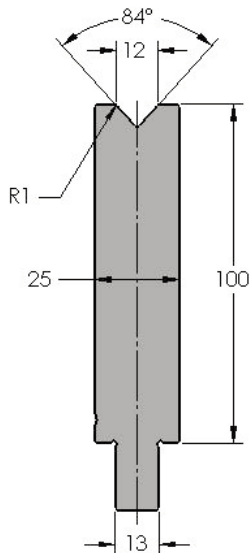
DESCRIPTION	CAT. NO.	PRICE
500	E65230012-500	
300	E65230012-300	
200	E65230012-200	
100	E65230012-100	
50	E65230012-50	
45	E65230012-45	
40	E65230012-40	
35	E65230012-35	
30	E65230012-30	
25	E65230012-25	

Dimensions in mm

Die V-Opening = 12mm

DIES

WILSON CAT. NO.	E65084012
TRUMPF CAT. NO.	EV W12/84°
V-OPENING	12
ANGLE	84°
HEIGHT	100



MAXIMUM LOADING: 500 KN/m

VERSION B

DESCRIPTION	CAT. NO.	PRICE
Length 4050	E65084012-4050B	
Length 3050	E65084012-3050B	
Length 2550	E65084012-2550B	
Length 2050	E65084012-2050B	
Length 1250	E65084012-1250B	

VERSION A

DESCRIPTION	CAT. NO.	PRICE
Length 4050	E65084012-4050A	
Length 3050	E65084012-3050A	
Length 2550	E65084012-2550A	
Length 2050	E65084012-2050A	
Length 1250	E65084012-1250A	

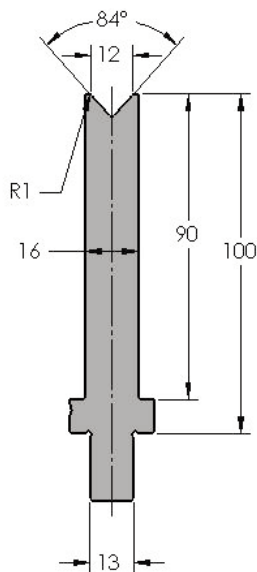
SECTIONALISED

DESCRIPTION	CAT. NO.	PRICE
Length 250	E65084012-250	

SINGLE

DESCRIPTION	CAT. NO.	PRICE
500	E65084012-500	
300	E65084012-300	
200	E65084012-200	
100	E65084012-100	
50	E65084012-50	
45	E65084012-45	
40	E65084012-40	
35	E65084012-35	
30	E65084012-30	
25	E65084012-25	

WILSON CAT. NO.	E65184012
TRUMPF CAT. NO.	EV/S W12/84°
V-OPENING	12
ANGLE	84°
HEIGHT	100



MAXIMUM LOADING: 400 KN/m

VERSION B

DESCRIPTION	CAT. NO.	PRICE
Length 4050	E65184012-4050B	
Length 3050	E65184012-3050B	
Length 2550	E65184012-2550B	
Length 2050	E65184012-2050B	
Length 1250	E65184012-1250B	

VERSION A

DESCRIPTION	CAT. NO.	PRICE
Length 4050	E65184012-4050A	
Length 3050	E65184012-3050A	
Length 2550	E65184012-2550A	
Length 2050	E65184012-2050A	
Length 1250	E65184012-1250A	

SECTIONALISED

DESCRIPTION	CAT. NO.	PRICE
Length 250	E65184012-250	

SINGLE

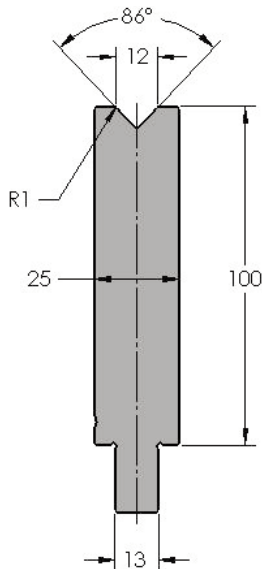
DESCRIPTION	CAT. NO.	PRICE
500	E65184012-500	
300	E65184012-300	
200	E65184012-200	
100	E65184012-100	
50	E65184012-50	
45	E65184012-45	
40	E65184012-40	
35	E65184012-35	
30	E65184012-30	
25	E65184012-25	

Dimensions in mm

Die V-Opening = 12mm

DIES

WILSON CAT. NO.	E65086012
TRUMPF CAT. NO.	EV023 86°
V-OPENING	12
ANGLE	86°
HEIGHT	100



MAXIMUM LOADING: 500 KN/m

VERSION B

DESCRIPTION	CAT. NO.	PRICE
Length 4050	E65086012-4050B	
Length 3050	E65086012-3050B	
Length 2550	E65086012-2550B	
Length 2050	E65086012-2050B	
Length 1250	E65086012-1250B	

VERSION A

DESCRIPTION	CAT. NO.	PRICE
Length 4050	E65086012-4050A	
Length 3050	E65086012-3050A	
Length 2550	E65086012-2550A	
Length 2050	E65086012-2050A	
Length 1250	E65086012-1250A	

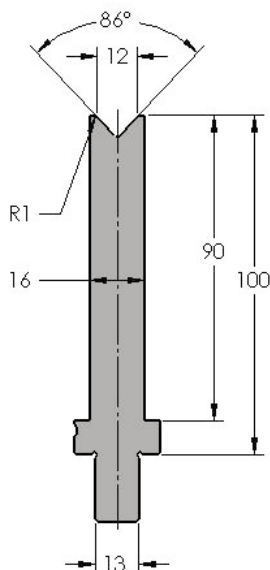
SECTIONALISED

DESCRIPTION	CAT. NO.	PRICE
Length 250	E65086012-250	

SINGLE

DESCRIPTION	CAT. NO.	PRICE
500	E65086012-500	
300	E65086012-300	
200	E65086012-200	
100	E65086012-100	
50	E65086012-50	
45	E65086012-45	
40	E65086012-40	
35	E65086012-35	
30	E65086012-30	
25	E65086012-25	

WILSON CAT. NO.	E65186012
TRUMPF CAT. NO.	EV023/S 86°
V-OPENING	12
ANGLE	86°
HEIGHT	100



MAXIMUM LOADING: 400 KN/m

VERSION B

DESCRIPTION	CAT. NO.	PRICE
Length 4050	E65186012-4050B	
Length 3050	E65186012-3050B	
Length 2550	E65186012-2550B	
Length 2050	E65186012-2050B	
Length 1250	E65186012-1250B	

VERSION A

DESCRIPTION	CAT. NO.	PRICE
Length 4050	E65186012-4050A	
Length 3050	E65186012-3050A	
Length 2550	E65186012-2550A	
Length 2050	E65186012-2050A	
Length 1250	E65186012-1250A	

SECTIONALISED

DESCRIPTION	CAT. NO.	PRICE
Length 250	E65186012-250	

SINGLE

DESCRIPTION	CAT. NO.	PRICE
500	E65186012-500	
300	E65186012-300	
200	E65186012-200	
100	E65186012-100	
50	E65186012-50	
45	E65186012-45	
40	E65186012-40	
35	E65186012-35	
30	E65186012-30	
25	E65186012-25	

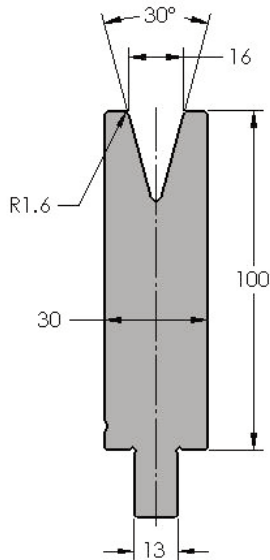
Dimensions in mm

Die V-Opening = 16mm

DIES

WILSON CAT. NO.	E65030016
TRUMPF CAT. NO.	EV005 30°
V-OPENING	16
ANGLE	30°
HEIGHT	100

BOLT HOLES STANDARD



MAXIMUM LOADING: 500 KN/m

VERSION B

DESCRIPTION	CAT. NO.	PRICE
Length 4050	E65030016-4050B	
Length 3050	E65030016-3050B	
Length 2550	E65030016-2550B	
Length 2050	E65030016-2050B	
Length 1250	E65030016-1250B	

VERSION A

DESCRIPTION	CAT. NO.	PRICE
Length 4050	E65030016-4050A	
Length 3050	E65030016-3050A	
Length 2550	E65030016-2550A	
Length 2050	E65030016-2050A	
Length 1250	E65030016-1250A	

SECTIONALISED

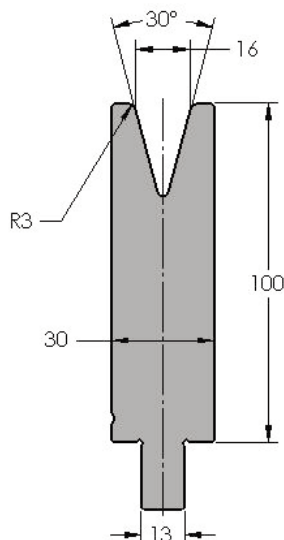
DESCRIPTION	CAT. NO.	PRICE
Length 250	E65030016-250	

SINGLE

DESCRIPTION	CAT. NO.	PRICE
500	E65030016-500	
300	E65030016-300	
200	E65030016-200	
100	E65030016-100	
50	E65030016-50	
45	E65030016-45	
40	E65030016-40	
35	E65030016-35	
30	E65030016-30	
25	E65030016-25	

WILSON CAT. NO.	E65230016
TRUMPF CAT. NO.	EV005 R3 30°
V-OPENING	16
ANGLE	30°
HEIGHT	100

BOLT HOLES STANDARD



MAXIMUM LOADING: 500 KN/m

VERSION B

DESCRIPTION	CAT. NO.	PRICE
Length 4050	E65230016-4050B	
Length 3050	E65230016-3050B	
Length 2550	E65230016-2550B	
Length 2050	E65230016-2050B	
Length 1250	E65230016-1250B	

VERSION A

DESCRIPTION	CAT. NO.	PRICE
Length 4050	E65230016-4050A	
Length 3050	E65230016-3050A	
Length 2550	E65230016-2550A	
Length 2050	E65230016-2050A	
Length 1250	E65230016-1250A	

SECTIONALISED

DESCRIPTION	CAT. NO.	PRICE
Length 250	E65230016-250	

SINGLE

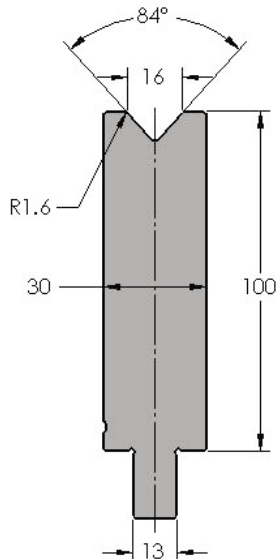
DESCRIPTION	CAT. NO.	PRICE
500	E65230016-500	
300	E65230016-300	
200	E65230016-200	
100	E65230016-100	
50	E65230016-50	
45	E65230016-45	
40	E65230016-40	
35	E65230016-35	
30	E65230016-30	
25	E65230016-25	

Dimensions in mm

Die V-Opening = 16mm

DIES

WILSON CAT. NO.	E65084016
TRUMPF CAT. NO.	EV W16/84°
V-OPENING	16
ANGLE	84°
HEIGHT	100



MAXIMUM LOADING: 700 KN/m

VERSION B

DESCRIPTION	CAT. NO.	PRICE
Length 4050	E65084016-4050B	
Length 3050	E65084016-3050B	
Length 2550	E65084016-2550B	
Length 2050	E65084016-2050B	
Length 1250	E65084016-1250B	

VERSION A

DESCRIPTION	CAT. NO.	PRICE
Length 4050	E65084016-4050A	
Length 3050	E65084016-3050A	
Length 2550	E65084016-2550A	
Length 2050	E65084016-2050A	
Length 1250	E65084016-1250A	

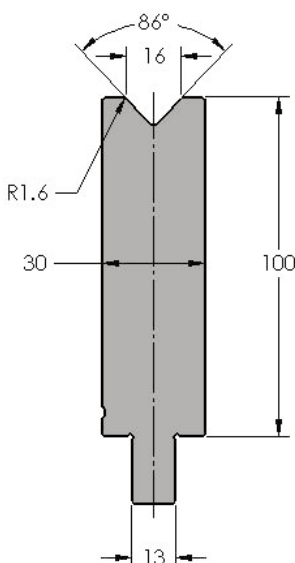
SECTIONALISED

DESCRIPTION	CAT. NO.	PRICE
Length 250	E65084016-250	

SINGLE

DESCRIPTION	CAT. NO.	PRICE
500	E65084016-500	
300	E65084016-300	
200	E65084016-200	
100	E65084016-100	
50	E65084016-50	
45	E65084016-45	
40	E65084016-40	
35	E65084016-35	
30	E65084016-30	
25	E65084016-25	

WILSON CAT. NO.	E65086016
TRUMPF CAT. NO.	EV024 86°
V-OPENING	16
ANGLE	86°
HEIGHT	100



MAXIMUM LOADING: 700 KN/m

VERSION B

DESCRIPTION	CAT. NO.	PRICE
Length 4050	E65086016-4050B	
Length 3050	E65086016-3050B	
Length 2550	E65086016-2550B	
Length 2050	E65086016-2050B	
Length 1250	E65086016-1250B	

VERSION A

DESCRIPTION	CAT. NO.	PRICE
Length 4050	E65086016-4050A	
Length 3050	E65086016-3050A	
Length 2550	E65086016-2550A	
Length 2050	E65086016-2050A	
Length 1250	E65086016-1250A	

SECTIONALISED

DESCRIPTION	CAT. NO.	PRICE
Length 250	E65086016-250	

SINGLE

DESCRIPTION	CAT. NO.	PRICE
500	E65086016-500	
300	E65086016-300	
200	E65086016-200	
100	E65086016-100	
50	E65086016-50	
45	E65086016-45	
40	E65086016-40	
35	E65086016-35	
30	E65086016-30	
25	E65086016-25	

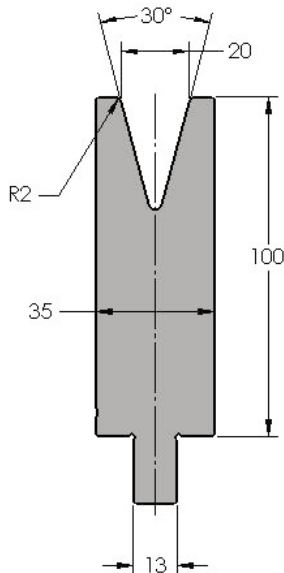
Dimensions in mm

Die V-Opening = 20mm

DIES

WILSON CAT. NO.	E65030020
TRUMPF CAT. NO.	EV006 30°
V-OPENING	20
ANGLE	30°
HEIGHT	100

BOLT HOLES STANDARD



MAXIMUM LOADING: 600 KN/m

VERSION B

DESCRIPTION	CAT. NO.	PRICE
Length 4050	E65030020-4050B	
Length 3050	E65030020-3050B	
Length 2550	E65030020-2550B	
Length 2050	E65030020-2050B	
Length 1250	E65030020-1250B	

VERSION A

DESCRIPTION	CAT. NO.	PRICE
Length 4050	E65030020-4050A	
Length 3050	E65030020-3050A	
Length 2550	E65030020-2550A	
Length 2050	E65030020-2050A	
Length 1250	E65030020-1250A	

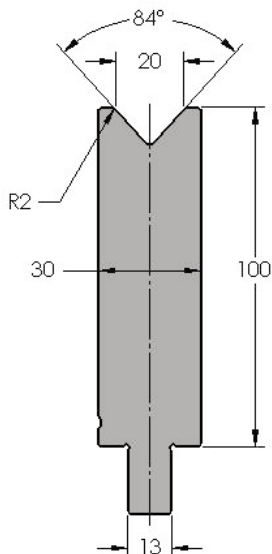
SECTIONALISED

DESCRIPTION	CAT. NO.	PRICE
Length 250	E65030020-250	

SINGLE

DESCRIPTION	CAT. NO.	PRICE
500	E65030020-500	
300	E65030020-300	
200	E65030020-200	
100	E65030020-100	
50	E65030020-50	
45	E65030020-45	
40	E65030020-40	
35	E65030020-35	
30	E65030020-30	
25	E65030020-25	

WILSON CAT. NO.	E65084020
TRUMPF CAT. NO.	EV W20/84°
V-OPENING	20
ANGLE	84°
HEIGHT	100



MAXIMUM LOADING: 700 KN/m

VERSION B

DESCRIPTION	CAT. NO.	PRICE
Length 4050	E65084020-4050B	
Length 3050	E65084020-3050B	
Length 2550	E65084020-2550B	
Length 2050	E65084020-2050B	
Length 1250	E65084020-1250B	

VERSION A

DESCRIPTION	CAT. NO.	PRICE
Length 4050	E65084020-4050A	
Length 3050	E65084020-3050A	
Length 2550	E65084020-2550A	
Length 2050	E65084020-2050A	
Length 1250	E65084020-1250A	

SECTIONALISED

DESCRIPTION	CAT. NO.	PRICE
Length 250	E65084020-250	

SINGLE

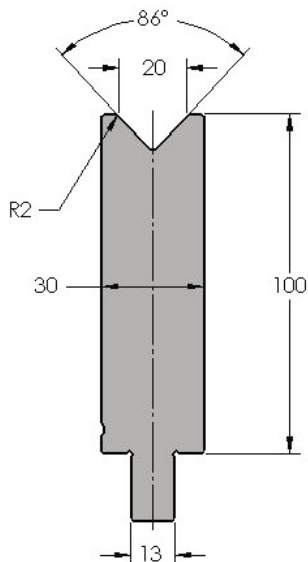
DESCRIPTION	CAT. NO.	PRICE
500	E65084020-500	
300	E65084020-300	
200	E65084020-200	
100	E65084020-100	
50	E65084020-50	
45	E65084020-45	
40	E65084020-40	
35	E65084020-35	
30	E65084020-30	
25	E65084020-25	

Dimensions in mm

Die V-Opening = 20mm

DIES

WILSON CAT. NO.	E65086020
TRUMPF CAT. NO.	EV025 86°
V-OPENING	20
ANGLE	86°
HEIGHT	100



MAXIMUM LOADING: 700 KN/m

VERSION B

DESCRIPTION	CAT. NO.	PRICE
Length 4050	E65086020-4050B	
Length 3050	E65086020-3050B	
Length 2550	E65086020-2550B	
Length 2050	E65086020-2050B	
Length 1250	E65086020-1250B	

VERSION A

DESCRIPTION	CAT. NO.	PRICE
Length 4050	E65086020-4050A	
Length 3050	E65086020-3050A	
Length 2550	E65086020-2550A	
Length 2050	E65086020-2050A	
Length 1250	E65086020-1250A	

SECTIONALISED

DESCRIPTION	CAT. NO.	PRICE
Length 250	E65086020-250	

SINGLE

DESCRIPTION	CAT. NO.	PRICE
500	E65086020-500	
300	E65086020-300	
200	E65086020-200	
100	E65086020-100	
50	E65086020-50	
45	E65086020-45	
40	E65086020-40	
35	E65086020-35	
30	E65086020-30	
25	E65086020-25	

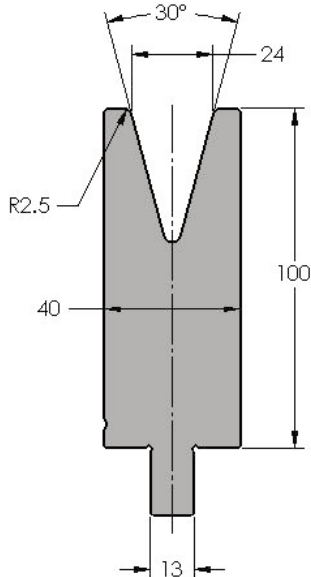
Dimensions in mm

Die V-Opening = 24mm

DIES

WILSON CAT. NO.	E65030024
TRUMPF CAT. NO.	EV007 30°
V-OPENING	24
ANGLE	30°
HEIGHT	100

BOLT HOLES STANDARD



MAXIMUM LOADING: 650 KN/m

VERSION B

DESCRIPTION	CAT. NO.	PRICE
Length 4050	E65030024-4050B	
Length 3050	E65030024-3050B	
Length 2550	E65030024-2550B	
Length 2050	E65030024-2050B	
Length 1250	E65030024-1250B	

VERSION A

DESCRIPTION	CAT. NO.	PRICE
Length 4050	E65030024-4050A	
Length 3050	E65030024-3050A	
Length 2550	E65030024-2550A	
Length 2050	E65030024-2050A	
Length 1250	E65030024-1250A	

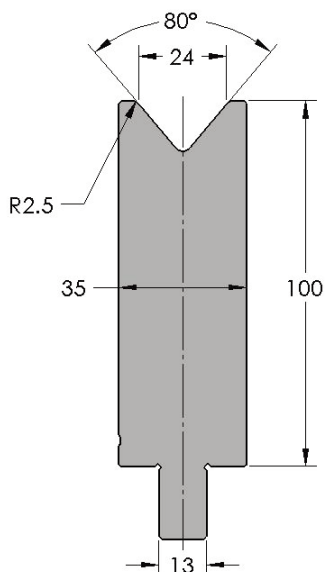
SECTIONALISED

DESCRIPTION	CAT. NO.	PRICE
Length 250	E65030024-250	

SINGLE

DESCRIPTION	CAT. NO.	PRICE
500	E65030024-500	
300	E65030024-300	
200	E65030024-200	
100	E65030024-100	
50	E65030024-50	
45	E65030024-45	
40	E65030024-40	
35	E65030024-35	
30	E65030024-30	
25	E65030024-25	

WILSON CAT. NO.	E65080024
TRUMPF CAT. NO.	EV W24/80°
V-OPENING	24
ANGLE	80°
HEIGHT	100



MAXIMUM LOADING: 700 KN/m

VERSION B

DESCRIPTION	CAT. NO.	PRICE
Length 4050	E65080024-4050B	
Length 3050	E65080024-3050B	
Length 2550	E65080024-2550B	
Length 2050	E65080024-2050B	
Length 1250	E65080024-1250B	

VERSION A

DESCRIPTION	CAT. NO.	PRICE
Length 4050	E65080024-4050A	
Length 3050	E65080024-3050A	
Length 2550	E65080024-2550A	
Length 2050	E65080024-2050A	
Length 1250	E65080024-1250A	

SECTIONALISED

DESCRIPTION	CAT. NO.	PRICE
Length 250	E65080024-250	

SINGLE

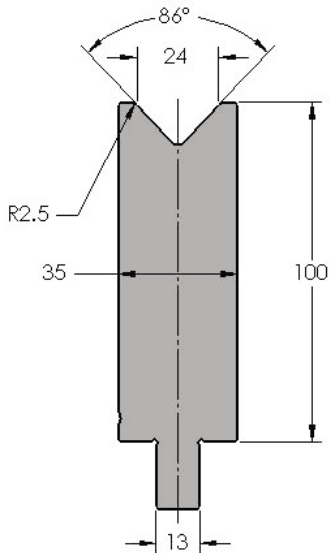
DESCRIPTION	CAT. NO.	PRICE
500	E65080024-500	
300	E65080024-300	
200	E65080024-200	
100	E65080024-100	
50	E65080024-50	
45	E65080024-45	
40	E65080024-40	
35	E65080024-35	
30	E65080024-30	
25	E65080024-25	

Dimensions in mm

Die V-Opening = 24mm

DIES

WILSON CAT. NO.	E65086024
TRUMPF CAT. NO.	EV026 86°
V-OPENING	24
ANGLE	86°
HEIGHT	100



MAXIMUM LOADING: 700 KN/m

VERSION B

DESCRIPTION	CAT. NO.	PRICE
Length 4050	E65086024-4050B	
Length 3050	E65086024-3050B	
Length 2550	E65086024-2550B	
Length 2050	E65086024-2050B	
Length 1250	E65086024-1250B	

VERSION A

DESCRIPTION	CAT. NO.	PRICE
Length 4050	E65086024-4050A	
Length 3050	E65086024-3050A	
Length 2550	E65086024-2550A	
Length 2050	E65086024-2050A	
Length 1250	E65086024-1250A	

SECTIONALISED

DESCRIPTION	CAT. NO.	PRICE
Length 250	E65086024-250	

SINGLE

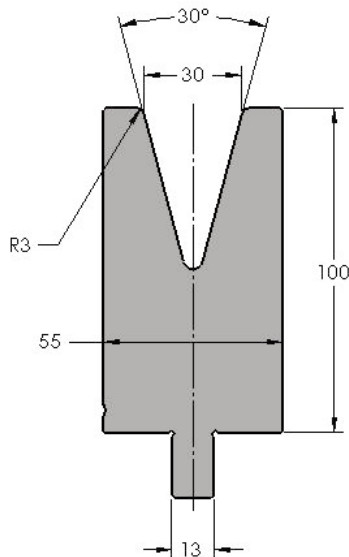
DESCRIPTION	CAT. NO.	PRICE
500	E65086024-500	
300	E65086024-300	
200	E65086024-200	
100	E65086024-100	
50	E65086024-50	
45	E65086024-45	
40	E65086024-40	
35	E65086024-35	
30	E65086024-30	
25	E65086024-25	

Die V-Opening = 30mm

DIES

WILSON CAT. NO.	E65030030
TRUMPF CAT. NO.	EV W30/30°
V-OPENING	30
ANGLE	30°
HEIGHT	100

BOLT HOLES STANDARD



MAXIMUM LOADING: 900 KN/m

VERSION B

DESCRIPTION	CAT. NO.	PRICE
Length 4050	E65030030-4050B	
Length 3050	E65030030-3050B	
Length 2550	E65030030-2550B	
Length 2050	E65030030-2050B	
Length 1250	E65030030-1250B	

VERSION A

DESCRIPTION	CAT. NO.	PRICE
Length 4050	E65030030-4050A	
Length 3050	E65030030-3050A	
Length 2550	E65030030-2550A	
Length 2050	E65030030-2050A	
Length 1250	E65030030-1250A	

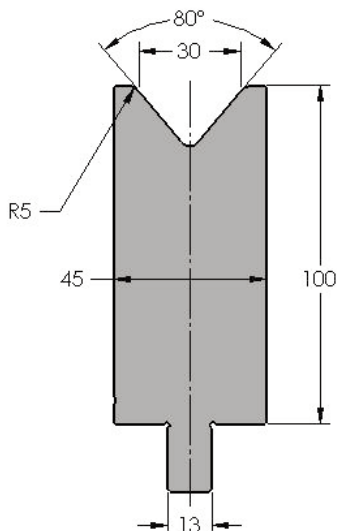
SECTIONALISED

DESCRIPTION	CAT. NO.	PRICE
Length 250	E65030030-250	

SINGLE

DESCRIPTION	CAT. NO.	PRICE
500	E65030030-500	
300	E65030030-300	
200	E65030030-200	
100	E65030030-100	
50	E65030030-50	
45	E65030030-45	
40	E65030030-40	
35	E65030030-35	
30	E65030030-30	
25	E65030030-25	

WILSON CAT. NO.	E65080030
TRUMPF CAT. NO.	EV W30/80°
V-OPENING	30
ANGLE	80°
HEIGHT	100



MAXIMUM LOADING: 900 KN/m

VERSION B

DESCRIPTION	CAT. NO.	PRICE
Length 4050	E65080030-4050B	
Length 3050	E65080030-3050B	
Length 2550	E65080030-2550B	
Length 2050	E65080030-2050B	
Length 1250	E65080030-1250B	

VERSION A

DESCRIPTION	CAT. NO.	PRICE
Length 4050	E65080030-4050A	
Length 3050	E65080030-3050A	
Length 2550	E65080030-2550A	
Length 2050	E65080030-2050A	
Length 1250	E65080030-1250A	

SECTIONALISED

DESCRIPTION	CAT. NO.	PRICE
Length 250	E65080030-250	

SINGLE

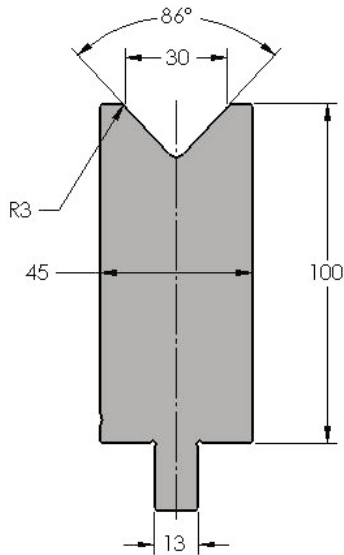
DESCRIPTION	CAT. NO.	PRICE
500	E65080030-500	
300	E65080030-300	
200	E65080030-200	
100	E65080030-100	
50	E65080030-50	
45	E65080030-45	
40	E65080030-40	
35	E65080030-35	
30	E65080030-30	
25	E65080030-25	

Dimensions in mm

Die V-Opening = 30mm

DIES

WILSON CAT. NO.	E65086030
TRUMPF CAT. NO.	EV027 86°
V-OPENING	30
ANGLE	86°
HEIGHT	100



MAXIMUM LOADING: 750 KN/m

VERSION B

DESCRIPTION	CAT. NO.	PRICE
Length 4050	E65086030-4050B	
Length 3050	E65086030-3050B	
Length 2550	E65086030-2550B	
Length 2050	E65086030-2050B	
Length 1250	E65086030-1250B	

VERSION A

DESCRIPTION	CAT. NO.	PRICE
Length 4050	E65086030-4050A	
Length 3050	E65086030-3050A	
Length 2550	E65086030-2550A	
Length 2050	E65086030-2050A	
Length 1250	E65086030-1250A	

SECTIONALISED

DESCRIPTION	CAT. NO.	PRICE
Length 250	E65086030-250	

SINGLE

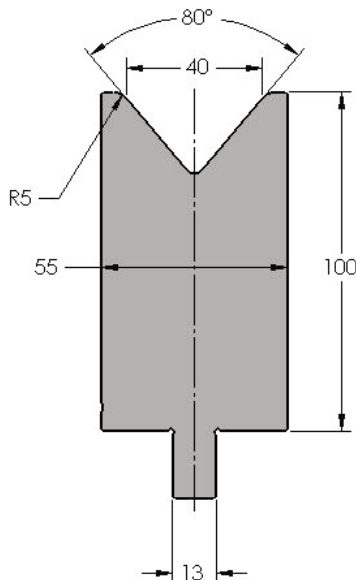
DESCRIPTION	CAT. NO.	PRICE
500	E65086030-500	
300	E65086030-300	
200	E65086030-200	
100	E65086030-100	
50	E65086030-50	
45	E65086030-45	
40	E65086030-40	
35	E65086030-35	
30	E65086030-30	
25	E65086030-25	

Dimensions in mm

Die V-Opening = 40mm

DIES

WILSON CAT. NO.	E65080040
TRUMPF CAT. NO.	EV W40/80°
V-OPENING	40
ANGLE	80°
HEIGHT	100



MAXIMUM LOADING: 1200 KN/m

VERSION B

DESCRIPTION	CAT. NO.	PRICE
Length 4050	E65080040-4050B	
Length 3050	E65080040-3050B	
Length 2550	E65080040-2550B	
Length 2050	E65080040-2050B	
Length 1250	E65080040-1250B	

VERSION A

DESCRIPTION	CAT. NO.	PRICE
Length 4050	E65080040-4050A	
Length 3050	E65080040-3050A	
Length 2550	E65080040-2550A	
Length 2050	E65080040-2050A	
Length 1250	E65080040-1250A	

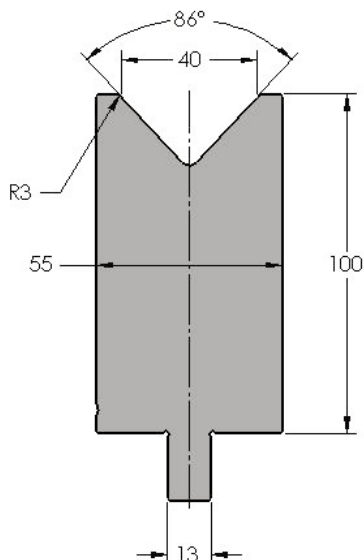
SECTIONALISED

DESCRIPTION	CAT. NO.	PRICE
Length 250	E65080040-250	

SINGLE

DESCRIPTION	CAT. NO.	PRICE
500	E65080040-500	
300	E65080040-300	
200	E65080040-200	
100	E65080040-100	
50	E65080040-50	
45	E65080040-45	
40	E65080040-40	
35	E65080040-35	
30	E65080040-30	
25	E65080040-25	

WILSON CAT. NO.	E65086040
TRUMPF CAT. NO.	EV028 86°
V-OPENING	40
ANGLE	86°
HEIGHT	100



MAXIMUM LOADING: 1200 KN/m

VERSION B

DESCRIPTION	CAT. NO.	PRICE
Length 4050	E65086040-4050B	
Length 3050	E65086040-3050B	
Length 2550	E65086040-2550B	
Length 2050	E65086040-2050B	
Length 1250	E65086040-1250B	

VERSION A

DESCRIPTION	CAT. NO.	PRICE
Length 4050	E65086040-4050A	
Length 3050	E65086040-3050A	
Length 2550	E65086040-2550A	
Length 2050	E65086040-2050A	
Length 1250	E65086040-1250A	

SECTIONALISED

DESCRIPTION	CAT. NO.	PRICE
Length 250	E65086040-250	

SINGLE

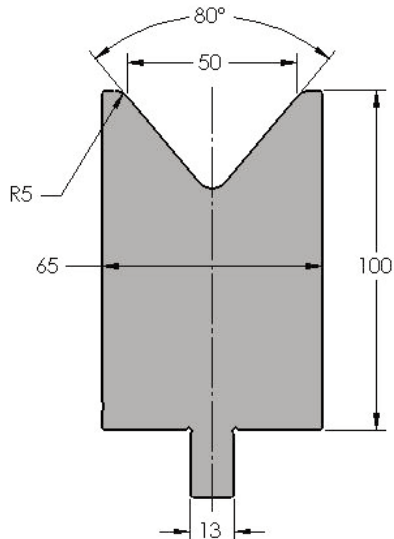
DESCRIPTION	CAT. NO.	PRICE
500	E65086040-500	
300	E65086040-300	
200	E65086040-200	
100	E65086040-100	
50	E65086040-50	
45	E65086040-45	
40	E65086040-40	
35	E65086040-35	
30	E65086040-30	
25	E65086040-25	

Dimensions in mm

Die V-Opening = 50mm

DIES

WILSON CAT. NO.	E65080050
TRUMPF CAT. NO.	EV W50/80°
V-OPENING	50
ANGLE	80°
HEIGHT	100



MAXIMUM LOADING: 1500 KN/m

VERSION B

DESCRIPTION	CAT. NO.	PRICE
Length 4050	E65080050-4050B	
Length 3050	E65080050-3050B	
Length 2550	E65080050-2550B	
Length 2050	E65080050-2050B	
Length 1250	E65080050-1250B	

VERSION A

DESCRIPTION	CAT. NO.	PRICE
Length 4050	E65080050-4050A	
Length 3050	E65080050-3050A	
Length 2550	E65080050-2550A	
Length 2050	E65080050-2050A	
Length 1250	E65080050-1250A	

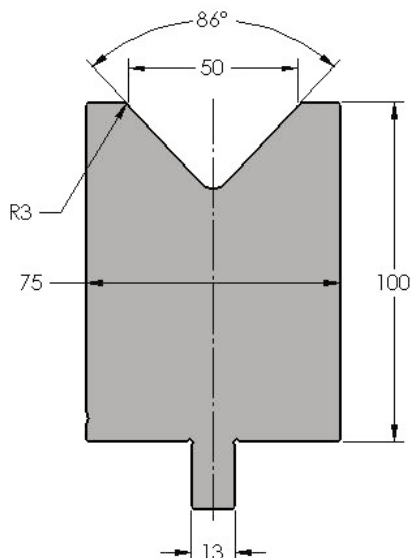
SECTIONALISED

DESCRIPTION	CAT. NO.	PRICE
Length 250	E65080050-250	

SINGLE

DESCRIPTION	CAT. NO.	PRICE
500	E65080050-500	
300	E65080050-300	
200	E65080050-200	
100	E65080050-100	
50	E65080050-50	
45	E65080050-45	
40	E65080050-40	
35	E65080050-35	
30	E65080050-30	
25	E65080050-25	

WILSON CAT. NO.	E65086050
TRUMPF CAT. NO.	EV029 86°
V-OPENING	50
ANGLE	86°
HEIGHT	100



MAXIMUM LOADING: 1500 KN/m

VERSION B

DESCRIPTION	CAT. NO.	PRICE
Length 4050	E65086050-4050B	
Length 3050	E65086050-3050B	
Length 2550	E65086050-2550B	
Length 2050	E65086050-2050B	
Length 1250	E65086050-1250B	

VERSION A

DESCRIPTION	CAT. NO.	PRICE
Length 4050	E65086050-4050A	
Length 3050	E65086050-3050A	
Length 2550	E65086050-2550A	
Length 2050	E65086050-2050A	
Length 1250	E65086050-1250A	

SECTIONALISED

DESCRIPTION	CAT. NO.	PRICE
Length 250	E65086050-250	

SINGLE

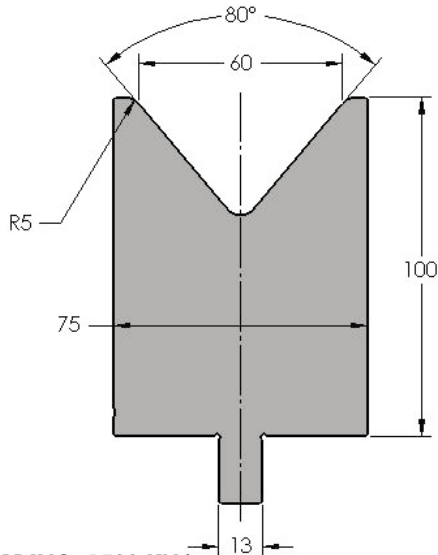
DESCRIPTION	CAT. NO.	PRICE
300	E65086050-300	
200	E65086050-200	
100	E65086050-100	
50	E65086050-50	
45	E65086050-45	
40	E65086050-40	
35	E65086050-35	
30	E65086050-30	
25	E65086050-25	

Dimensions in mm

Die V-Opening = 60mm - 70mm

DIES

WILSON CAT. NO.	E65080060
TRUMPF CAT. NO.	EV W60/80°
V-OPENING	60
ANGLE	80°
HEIGHT	100



MAXIMUM LOADING: 1500 KN/m

VERSION B

DESCRIPTION	CAT. NO.	PRICE
Length 4050	E65080060-4050B	
Length 3050	E65080060-3050B	
Length 2550	E65080060-2550B	
Length 2050	E65080060-2050B	
Length 1250	E65080060-1250B	

VERSION A

DESCRIPTION	CAT. NO.	PRICE
Length 4050	E65080060-4050A	
Length 3050	E65080060-3050A	
Length 2550	E65080060-2550A	
Length 2050	E65080060-2050A	
Length 1250	E65080060-1250A	

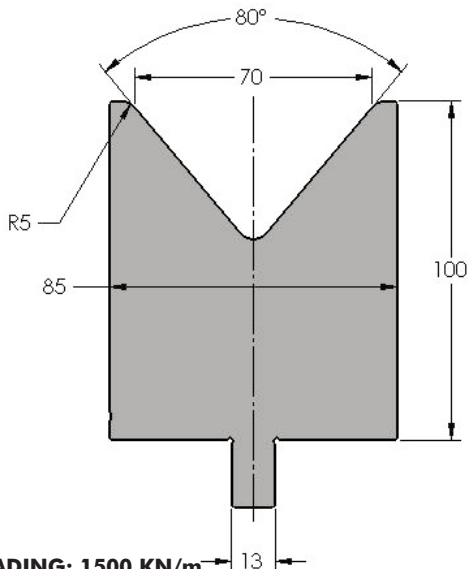
SECTIONALISED

DESCRIPTION	CAT. NO.	PRICE
Length 250	E65080060-250	

SINGLE

DESCRIPTION	CAT. NO.	PRICE
300	E65080060-300	
200	E65080060-200	
100	E65080060-100	
50	E65080060-50	
45	E65080060-45	
40	E65080060-40	
35	E65080060-35	
30	E65080060-30	
25	E65080060-25	

WILSON CAT. NO.	E65080070
TRUMPF CAT. NO.	EV W70/80°
V-OPENING	70
ANGLE	80°
HEIGHT	100



MAXIMUM LOADING: 1500 KN/m

VERSION B

DESCRIPTION	CAT. NO.	PRICE
Length 4050	E65080070-4050B	
Length 3050	E65080070-3050B	
Length 2550	E65080070-2550B	
Length 2050	E65080070-2050B	
Length 1250	E65080070-1250B	

VERSION A

DESCRIPTION	CAT. NO.	PRICE
Length 4050	E65080070-4050A	
Length 3050	E65080070-3050A	
Length 2550	E65080070-2550A	
Length 2050	E65080070-2050A	
Length 1250	E65080070-1250A	

SECTIONALISED

DESCRIPTION	CAT. NO.	PRICE
Length 250	E65080070-250	

SINGLE

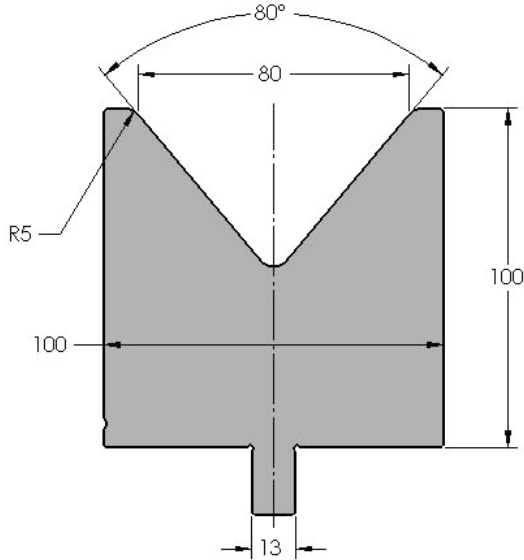
DESCRIPTION	CAT. NO.	PRICE
300	E65080070-300	
200	E65080070-200	
100	E65080070-100	
50	E65080070-50	
45	E65080070-45	
40	E65080070-40	
35	E65080070-35	
30	E65080070-30	
25	E65080070-25	

Dimensions in mm

Die V-Opening = 80mm - 90mm

DIES

WILSON CAT. NO.	E65080080
TRUMPF CAT. NO.	EV W80/80°
V-OPENING	80
ANGLE	80°
HEIGHT	100



MAXIMUM LOADING: 1500 KN/m

VERSION B

DESCRIPTION	CAT. NO.	PRICE
Length 4050	E65080080-4050B	
Length 3050	E65080080-3050B	
Length 2550	E65080080-2550B	
Length 2050	E65080080-2050B	
Length 1250	E65080080-1250B	

VERSION A

DESCRIPTION	CAT. NO.	PRICE
Length 4050	E65080080-4050A	
Length 3050	E65080080-3050A	
Length 2550	E65080080-2550A	
Length 2050	E65080080-2050A	
Length 1250	E65080080-1250A	

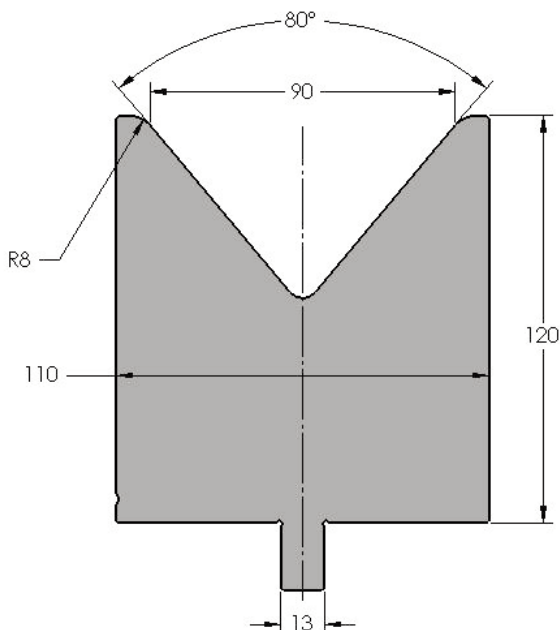
SECTIONALISED

DESCRIPTION	CAT. NO.	PRICE
Length 250	E65080080-250	

SINGLE

DESCRIPTION	CAT. NO.	PRICE
300	E65080080-300	
200	E65080080-200	
100	E65080080-100	
50	E65080080-50	
45	E65080080-45	
40	E65080080-40	
35	E65080080-35	
30	E65080080-30	
25	E65080080-25	

WILSON CAT. NO.	E65080090
TRUMPF CAT. NO.	EV W90/80°
V-OPENING	90
ANGLE	80°
HEIGHT	120



MAXIMUM LOADING: 1500 KN/m

VERSION B

DESCRIPTION	CAT. NO.	PRICE
Length 4050	E65080090-4050B	
Length 3050	E65080090-3050B	
Length 2550	E65080090-2550B	
Length 2050	E65080090-2050B	
Length 1250	E65080090-1250B	

VERSION A

DESCRIPTION	CAT. NO.	PRICE
Length 4050	E65080090-4050A	
Length 3050	E65080090-3050A	
Length 2550	E65080090-2550A	
Length 2050	E65080090-2050A	
Length 1250	E65080090-1250A	

SECTIONALISED

DESCRIPTION	CAT. NO.	PRICE
Length 250	E65080090-250	

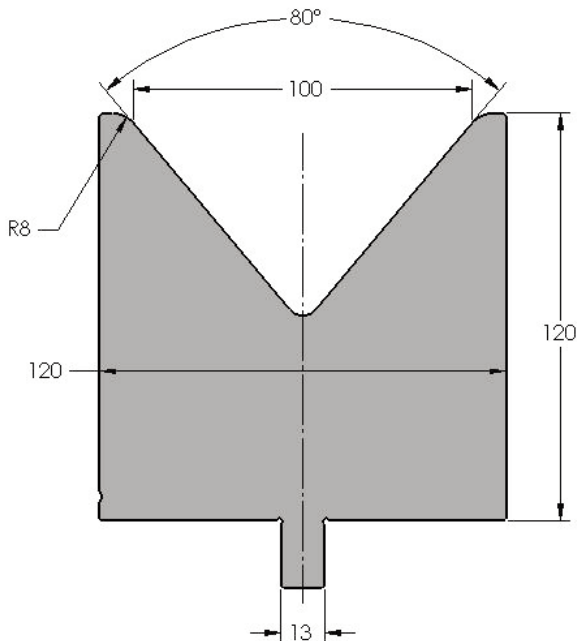
SINGLE

DESCRIPTION	CAT. NO.	PRICE
200	E65080090-200	
100	E65080090-100	
50	E65080090-50	
45	E65080090-45	
40	E65080090-40	
35	E65080090-35	
30	E65080090-30	
25	E65080090-25	

Dimensions in mm

DIES

WILSON CAT. NO.	E65080100
TRUMPF CAT. NO.	EV W100/80°
V-OPENING	100
ANGLE	80°
HEIGHT	120



MAXIMUM LOADING: 1500 KN/m

VERSION B

DESCRIPTION	CAT. NO.	PRICE
Length 4050	E65080100-4050B	
Length 3050	E65080100-3050B	
Length 2550	E65080100-2550B	
Length 2050	E65080100-2050B	
Length 1250	E65080100-1250B	

VERSION A

DESCRIPTION	CAT. NO.	PRICE
Length 4050	E65080100-4050A	
Length 3050	E65080100-3050A	
Length 2550	E65080100-2550A	
Length 2050	E65080100-2050A	
Length 1250	E65080100-1250A	

SECTIONALISED

DESCRIPTION	CAT. NO.	PRICE
Length 250	E65080100-250	

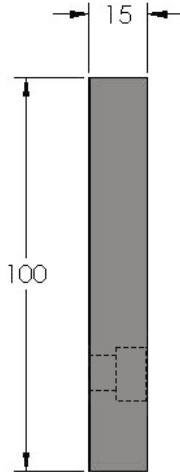
SINGLE

DESCRIPTION	CAT. NO.	PRICE
200	E65080100-200	
100	E65080100-100	
50	E65080100-50	
45	E65080100-45	
40	E65080100-40	
35	E65080100-35	
30	E65080100-30	
25	E65080100-25	

Dimensions in mm

DIES

WILSON CAT. NO.	E65300001
TRUMPF CAT. NO.	ZDL
HEIGHT	100



MAXIMUM LOADING: 1300 KN/m

VERSION B

DESCRIPTION	CAT. NO.	PRICE
Length 4050	E65300001-4050B	
Length 3050	E65300001-3050B	
Length 2550	E65300001-2550B	
Length 2050	E65300001-2050B	
Length 1250	E65300001-1250B	

VERSION A

DESCRIPTION	CAT. NO.	PRICE
Length 4050	E65300001-4050A	
Length 3050	E65300001-3050A	
Length 2550	E65300001-2550A	
Length 2050	E65300001-2050A	
Length 1250	E65300001-1250A	

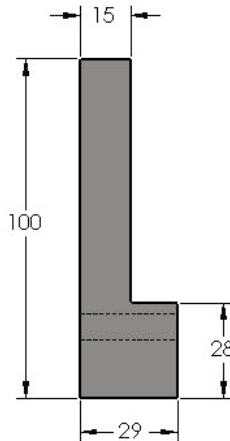
SECTIONALISED

DESCRIPTION	CAT. NO.	PRICE
Length 250	E65300001-250	

SINGLE

DESCRIPTION	CAT. NO.	PRICE
500	E65300001-500	
300	E65300001-300	
200	E65300001-200	
100	E65300001-100	
50	E65300001-50	
45	E65300001-45	
40	E65300001-40	
35	E65300001-35	
30	E65300001-30	
25	E65300001-25	

WILSON CAT. NO.	E65300002
TRUMPF CAT. NO.	FWZ
HEIGHT	100



MAXIMUM LOADING: 1200 KN/m

Dimensions in mm

VERSION B

DESCRIPTION	CAT. NO.	PRICE
Length 4050	E65300002-4050B	
Length 3050	E65300002-3050B	
Length 2550	E65300002-2550B	
Length 2050	E65300002-2050B	
Length 1250	E65300002-1250B	

VERSION A

DESCRIPTION	CAT. NO.	PRICE
Length 4050	E65300002-4050A	
Length 3050	E65300002-3050A	
Length 2550	E65300002-2550A	
Length 2050	E65300002-2050A	
Length 1250	E65300002-1250A	

SECTIONALISED

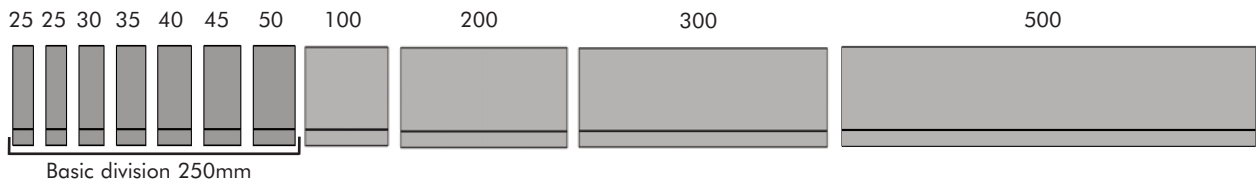
DESCRIPTION	CAT. NO.	PRICE
Length 250	E65300002-250	

SINGLE

DESCRIPTION	CAT. NO.	PRICE
500	E65300002-500	
300	E65300002-300	
200	E65300002-200	
100	E65300002-100	
50	E65300002-50	
45	E65300002-45	
40	E65300002-40	
35	E65300002-35	
30	E65300002-30	
25	E65300002-25	

System Division with tools

SYSTEM DIVISION VERSION B



SET	250X	100	200	300	500
1250B	1	3	2	1	0
2050B	1	3	1	1	2
2550B	1	3	1	1	3
3050B	1	3	1	1	4
4050B	1	3	1	1	6

For Dies: E65086050, E65080060, E65080070 & E65080080 ONLY

SET	250X	100	200	300
1250B	1	3	2	1
2050B	1	3	3	3
2550B	1	3	4	4
3050B	1	3	5	5
4050B	1	3	7	7

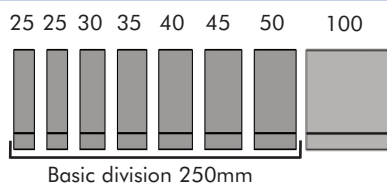
For Dies: E65080090 & E65080100 ONLY

SET	250X	100	200
1250B	1	4	3
2050B	1	6	6
2550B	1	7	8
3050B	1	8	10
4050B	1	10	14

BENEFITS

- High flexibility
- Short tool set-up time
- Low purchase cost
- Fewer tool change-overs
- Version most often selected and recommended

SYSTEM DIVISION VERSION A



SET	250X	100
1250B	1	10
2050B	1	18
2550B	1	23
3050B	1	28
4050B	1	38

BENEFITS

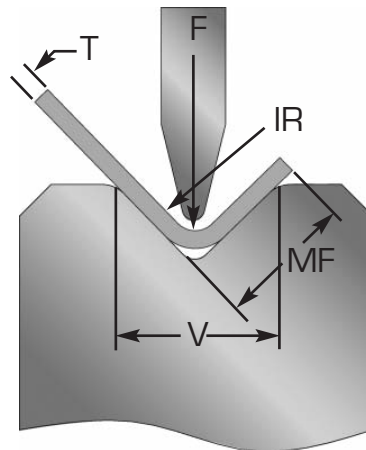
- Maximum flexibility
- Minimum tool set-up time
- Weight of the individual part pieces very low

SYSTEM DIVISION VERSION B/A

The combination of a punch block A-division and a die block in B-division will not cause any problems.

Press Force Table

REQUIRED PRESS FORCE FOR 90° AIR BENDS



Material 400 N/mm² Mild Steel

	6	8	10	12	16	20	24	30	40	50	60	70	80	90	100	120	V
	4.5	6	7.5	9	12	15	18	22.5	30	37.5	45	52.5	60	67.5	75	90	MF
	1	1.3	1.6	1.9	2.6	3.2	3.8	4.8	6.4	8	9.6	11	13	14	16	19	IR
0.75	52*	39	31	26													
1	93	70*	56	47	35												
1.25	145	109	87*	73	55	44											
1.5	209	157	126	105*	79	63											
1.75		214	171	143*	107	86	71										
2			223	186	140*	112	93										
2.5				291	218	175*	145	116									
3					314	251	209*	168	126								
3.5					428	342	285	228*	171	137							
4						447	372	298*	223	179	149						
4.5						566	471	377	283*	226	189	162					
5								466	349*	279	233	200	175				
6								670	503	402*	335	287	251	223			
7									684	547*	456*	391	342	304	274		
8										715	596*	511*	447	397	358	298	
10												798*	698*	621	559	466	
12													1005	894*	804*	670	

F/m

F in kN. T, MF, V, IR in mm.

Optimum Die*

Material 700 N/mm² Stainless Steel

	6	8	10	12	16	20	24	30	40	50	60	70	80	90	100	120	V
	4.5	6	7.5	9	12	15	18	22.5	30	37.5	45	52.5	60	67.5	75	90	MF
	1	1.3	1.6	1.9	2.6	3.2	3.8	4.8	6.4	8	9.6	11	13	14	16	19	IR
0.75	87*	65	52	44													
1	155	116*	93	78	58												
1.25	242	182	145*	121	91	73											
1.5	349	262	209	175*	131	105											
1.75		356	285	238*	178*	143	119										
2			372	310	233*	186	155										
2.5				485	364	291*	242	194									
3					524	419	349*	279	209								
3.5						570	475	380*	285	228							
4							621	497*	372	298	248						
4.5								628	471*	377	314	269					
5									582*	466	388	333	291				
6									838	670*	559	479	419				
7										912*	760*	652	570	507			
8										1192	993*	851*	745	662	596		
10												1330*	1164*	1034	931	776	
12													1675	1490*	1340*	1118	

F/m

F in kN. T, MF, V, IR in mm.

Optimum Die*

WILSON TOOL INTERNATIONAL (EUROPE) LTD

United Kingdom

European Headquarters

Stirling Road, South Marston
Industrial Estate, Swindon, Wiltshire
SN3 4TQ, United Kingdom
Tel (Free): 0800 373748
Tel: +44 (0)1793 831818
Fax (Free): 0800 373758
Fax: +44 (0)1793 831945
email: sales@wilsonstool.eu.com

France

Bat B,
51 Rue d'Ourdy, 77550 Réau, France
Tel: (Gratuit) 0800 10 29 00
Tel: +33 (0)1 64 13 47 80
Fax: (Gratuit) 0800 10 40 14
Fax: +33 (0)1 64 13 47 81
email: ventes@wilsonstool.eu.com

Germany

Gottlieb Daimler Str 2
31552 Rodenberg, Germany
Tel: (Frei) 00800 945 766 8665
Tel: +49 (0)5723 747 0
Fax: (Frei) 00800 945 766 329
Fax: +49 (0)5723 747 10
email: verkauf@wilsonstool.eu.com

Scandinavia

Islevdalvej 100
DK-2610, Rødovre, Denmark
Tel (Free): 80 20 20 24
Tel: +45 44 53 16 99
Fax (Free): 80 20 20 26
Fax: +45 44 53 06 07
email: salesdk@wilsonstool.eu.com

email: pbsales@wilsonstool.eu.com

Visit us online at: www.wilsonstool.com

United States

Worldwide Headquarters

12912 Farnham Avenue
White Bear Lake, MN 55110 USA
Tel (Free): 800 328 9646
Tel: (651) 426 9133
Fax (Free): 800 222 0002
Fax: (651) 426 9134
email: marketing@wilsonstool.com

Argentina

Wilson Tool International(r), Argentina
Von Wernicke 3041 PB
San Isidro, 1642 Buenos Aires
Argentina
Tel: +54 114 7634004
Fax: +54 114 5084190
email: ventasargentina@wilsonstool.com

China

No. 6 Building of 58
4018 Lane Huaning Road
Xinhuang Industry Park
201108 Shanghai, China
Tel: +86 21 51089638
Fax: +86 21 64422195
email: sales@wilsonstool.cn

Mexico

The Wilson Company SRL de CV
BLVD. Diaz Ordaz no 140 piso 20
Col. Santa Maria
Monterrey, Nuevo Leon
Mexico
C.P. 64650
Tel: 52 (81) 8865 4820
Fax: 52 (81) 8865 4599

South Africa

Wilson Tool South Africa Limited
Rynhurst Business Park
156 Pretoria Road
Rynfield
Benoni
1501
Gauteng
Republic of South Africa
Tel: +27 877 217 875
Fax: 086 657 8629
email: simon.penney@wilsonstool.com