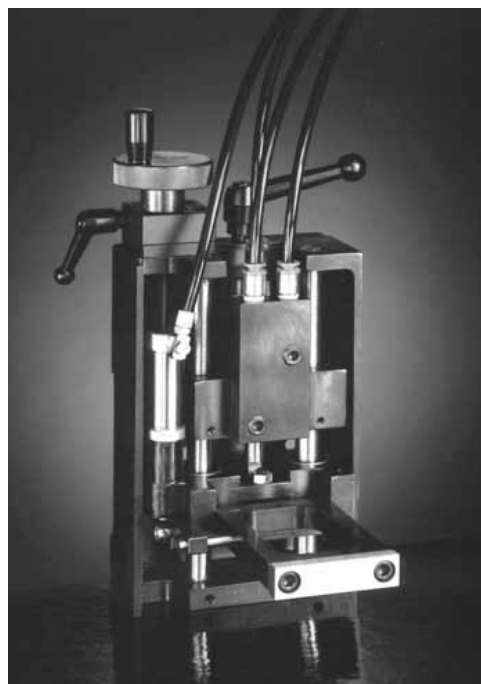




Amada Style Machine Accessories

Your Choice for
Higher
Productivity



WORK HOLDER CLAMPS



Turret Parts



Press Brake Parts

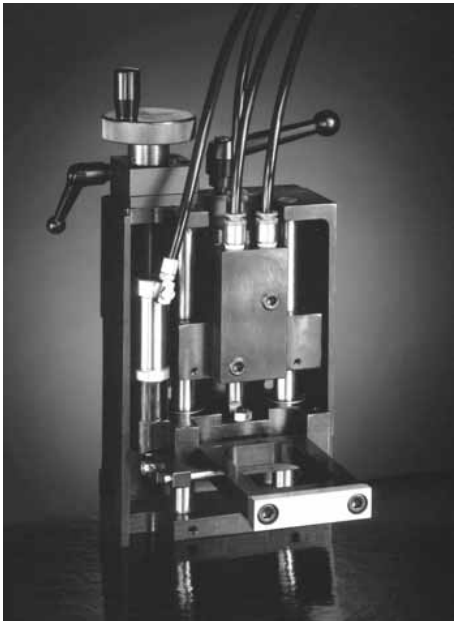


Table of Contents

WORK HOLDER CLAMPS

Pega, Vipros, Laser, Aries 245 - New Style – Pneumatic	1-2
Pega, Original Style – Pneumatic	3-4
Octo Clamp	5-6
Aries, 222,224 Clamp	7-8
Lyra, Coma, Vela, - Thin Clamp – Pneumatic	9-10
Vela, Coma - Thick Clamp – Pneumatic	11-12
Coma - New Style – Hydraulic	13-14
Coma - Original Style – Hydraulic	15-16
Coma - Thick Clamp – Hydraulic	17-18
Coma, Vela, Lyra, Pega – Stubby	19-20
Laser Clamp - Apelio and Pulsar, 10mm	21-22
Laser Clamp - Apelio and Pulsar, 13mm	23-24
Em Clamp	25-26

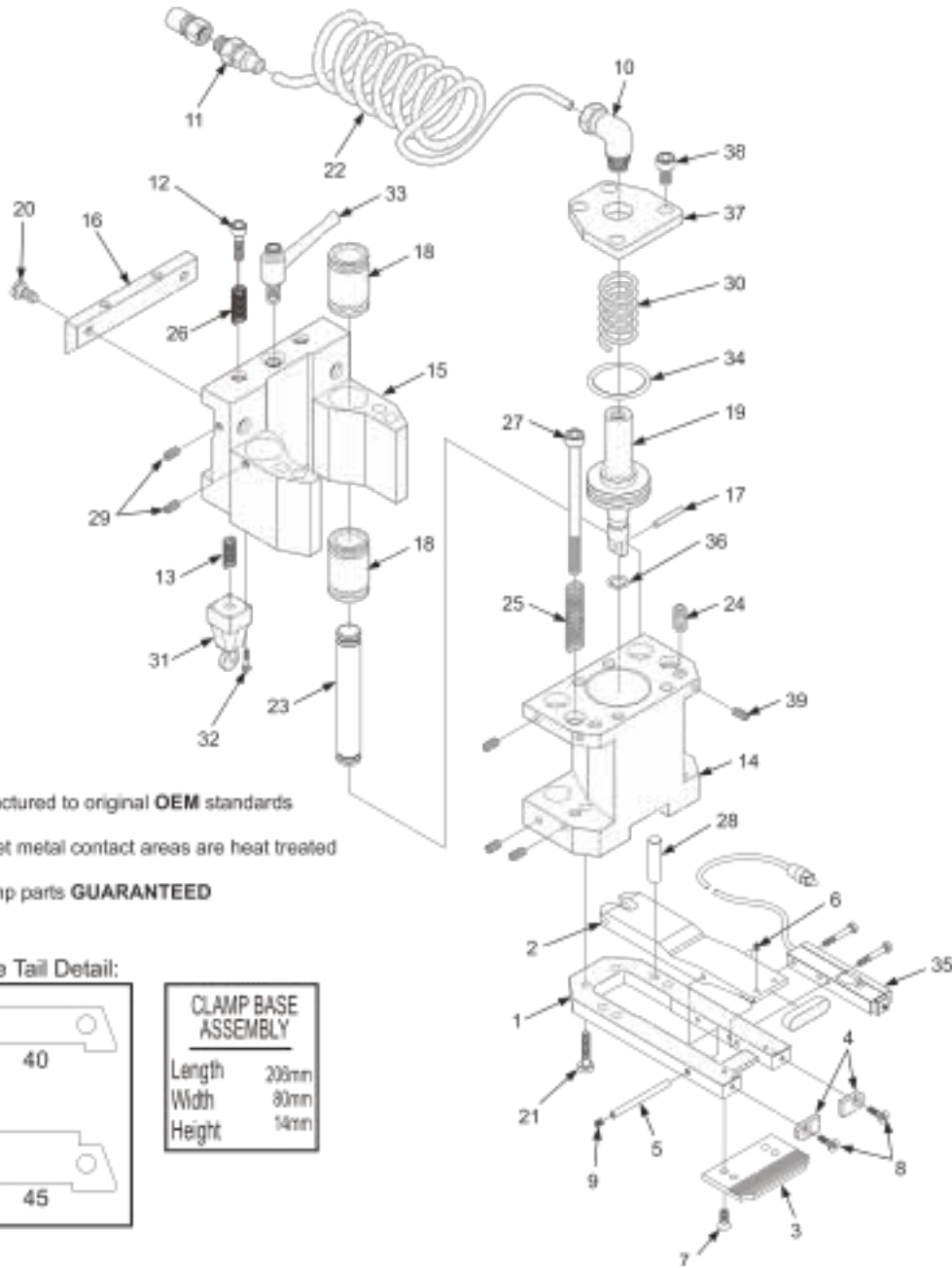
TURRET PARTS

Guide Keys - Die Keys - Lifter Springs - Guide Bushings – Shoulder Bolts Die Holders and Hardware	27-28
--	-------

PRESS BRAKE PARTS

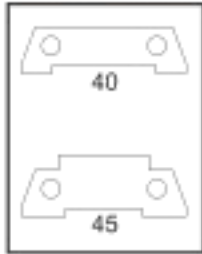
Work Stopper Assembly – Remote Foot Pedal – Distance Piece Assemblies	29-30
---	-------

NEW STYLE CLAMP - PNEUMATIC PEGA, VIPROS, ARIES 245, LASER, & ALL PNEUMATIC CONVERSIONS



- Manufactured to original **OEM** standards
- All sheet metal contact areas are heat treated
- All clamp parts **GUARANTEED**

Dove Tail Detail:



CLAMP BASE ASSEMBLY	
Length	206mm
Width	80mm
Height	14mm

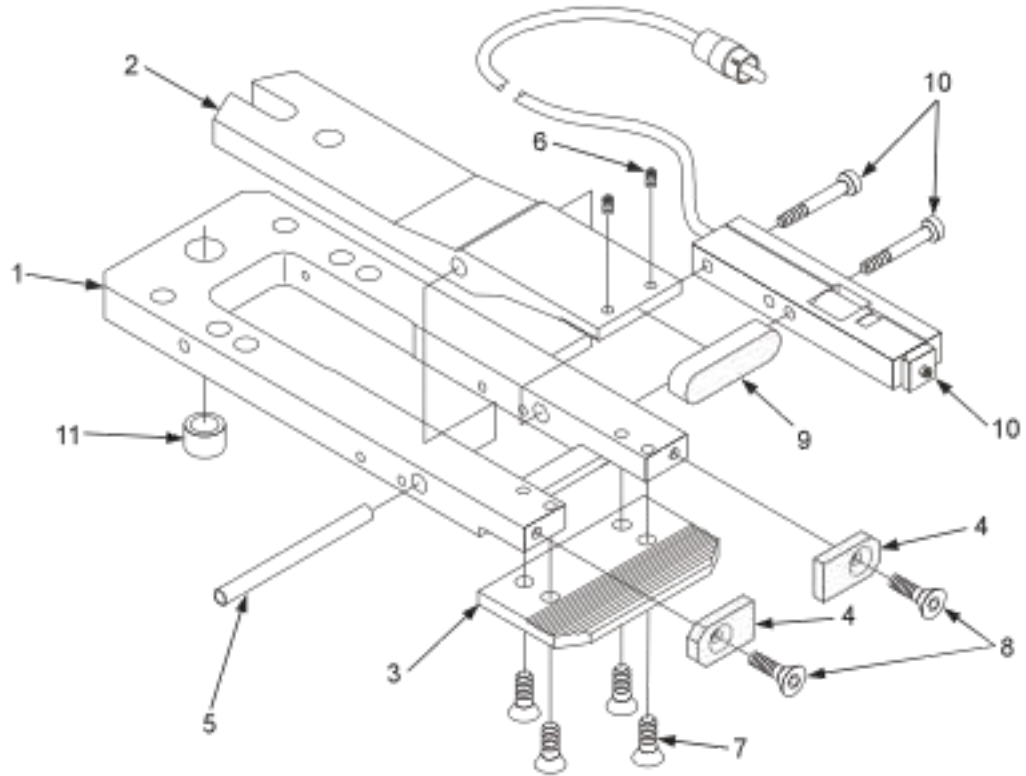
Wilson Drawing#	Wilson Part #	Amada Drawing #	Description
1	WXA0301-B	826189	Clamp Base
2	WXA0401-CL	826182	Clamper
3	WXA0501-CP	816025/826235	Clamp Plate
4	WXA0601-SP	816026	Stopper Plate
5	WXA0794	M6X60	Straight Pin

NEW STYLE CLAMP - PNEUMATIC PEGA, VIPROS, ARIES 245, LASER, & ALL PNEUMATIC CONVERSIONS

Wilson Drawing#	Wilson Part #	Amada Drawing #	Description
1-34	WXA0101-CA	826180	Complete Clamp Assembly
1-9	WXA0201-CBA	826189	Clamp Base Assembly
6	WXA0830	M5 x 6	Screw - M5x6 - 10 pcs- (Clamper Tip)
7	WXA0831	M5 x 12	Screw - M5x12- 10 pcs- (Clamp Plate)
8	WXA0832	M4 x 10	Screw - M4x10- 10 pcs- (Stopper Plate)
9	WXA0835	N/A	Set Screw - M8X8
10	WXA4155	KQL06-02S	Elbow
11	WXA4123	KQH06-02S	Connector
12	WXA0887	N/A	Shoulder Bolt
13	WXA0891	N/A	Spring
14	WXA0874*	N/A	Clamp Body - Piston Side
15	WXA0879*	N/A	Clamp Body - Dove Tail Side
16	WXA0881	N/A	Dove Tail Plate
17	WXA0882	N/A	Pin
18	WXA0862*	N/A	Linear Bearing
19	WXA0620	N/A	Piston
20	WXA0875	N/A	Bolt
21	WXA0895	N/A	Bolt M8x25
22	WXA0876	N/A	Coil Tubing
23	WXA0898*	N/A	Rod
24	WXA0831B	N/A	Set Screw M6X8
25	WXA0877	N/A	Spring
26	WXA0888	N/A	Spring
27	WXA0839	N/A	Bolt
28	WXA0966	N/A	Pin
29	WXA0889	N/A	Set Screw - M6X6 - (package of 10)
30	WXA0846	74161330	Spring
31	WXA0871	6WPH200-1	Head
32	WXA0890	N/A	Bolt - 10pcs
33	WXA0812	KR12 x 20	Clamp Lever (Steel) 12mm
34	WXA9237	P50A	O - Ring P50A
35	WXA0855A	8635270D	Sheet Sensor (for Auto Loader)
36	WXA9220	P12	O - Ring P12
37	WXA0878	74335901	Cylinder Cap
38	WXA0839q	N/A	M6 X 16 Cap Head Bolt (package of 10)
39	WXA0825	N/A	M4 X 6 Cone Point Set Screw (package of 10)
40-45	WXA0860-A	813129	Dove Tail System (Guide Plate)
N/A	WXA0803	20SM	Coupler-Female (quick connect)
N/A	WXA0804	20PF (1/4")	Coupler-Male (quick connect)
N/A	WXA0811	KR10 x 20	Clamp Lever (Steel) 10mm
N/A	WXA0840	N/A	Shims .010"- 10 pcs
N/A	WXA0841	N/A	Shims .003"- 10 pcs
N/A	WXA0842	N/A	Shims .005"- 10 pcs
N/A	WXA0844	6048241	Override Block: Vipros
N/A	WXA0845	74161389	Override Plunger Assembly Vipros 255
N/A	WXA0856a	7930044	Sheet Sensor - 4 Pin Plug-Female Side

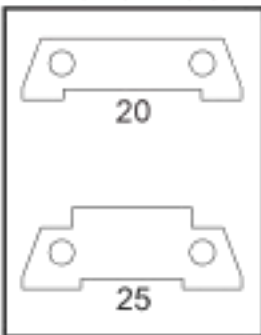
* Not available for OEM assembly

PEGA ORIGINAL STYLE CLAMP - PNEUMATIC



- Manufactured to original **OEM** standards
- All sheet metal contact areas heat treated
- All clamp parts **GUARANTEED**

Dove Tail Detail:



CLAMP BASE ASSEMBLY
 Length 216mm
 Width 80mm
 Height 14mm

PEGA ORIGINAL STYLE CLAMP - PNEUMATIC

Wilson Drawing #	Wilson Part #	AMADA Drawing #	Description
1-8	WXA0202-CBA	816032	Clamp Base Assembly
1	WXA0302-B	816032	Clamp Base
2	WXA0402-CL	816028	Clamper
3	WXA0501-CP	816025	Clamp Plate
4	WXA0601-SP	816026	Stopper Plate
5	WXA0795	M6 X 80	Straight Pin
6	WXA0830	M5 x 6	Screw - M5x6 - 10 pcs -(Clamper Tip)
7	WXA0831	M5 x 12	Screw - M5x12-10 pcs -(Clamp Plate)
8	WXA0832	M4 x 10	Screw - M4x10-10 pcs -(Stopper Plate)
9	WXA0850	N/A	Urethane Boot (for Clamper Tip)
10	WXA0853	8635270D	Sheet Sensor (for Auto Loader)
11	WXA0843	N/A	Bushing
20 or 25	WXA0860-A	813129	Dove Tail System (Guide Plate)
N/A	WXA0803	20SM	Coupler-Female
N/A	WXA0804	20SF (1/4")	Coupler-Male
N/A	WXA0811	KR10 x 20	Clamp Lever (Steel) 10mm
N/A	WXA0812	KR12 x 20	Clamp Lever (Steel) 12mm
N/A	WXA0840	N/A	Shims .010"- 10 pcs
N/A	WXA0841	N/A	Shims .003"- 10 pcs
N/A	WXA0842	N/A	Shims .005"- 10 pcs
N/A	WXA0856A	7930044	Sheet Sensor - 4 Pin Plug-Female Side
N/A	WXA0871	6WPH200-1	Head
N/A	WXA4111	6 X 4	Vinyl Tubing 6 x 4mm / foot
N/A	WXA4155	KQL06-02S	Elbow

Local
Tel: 651-286-6001
Fax: 651-286-5959

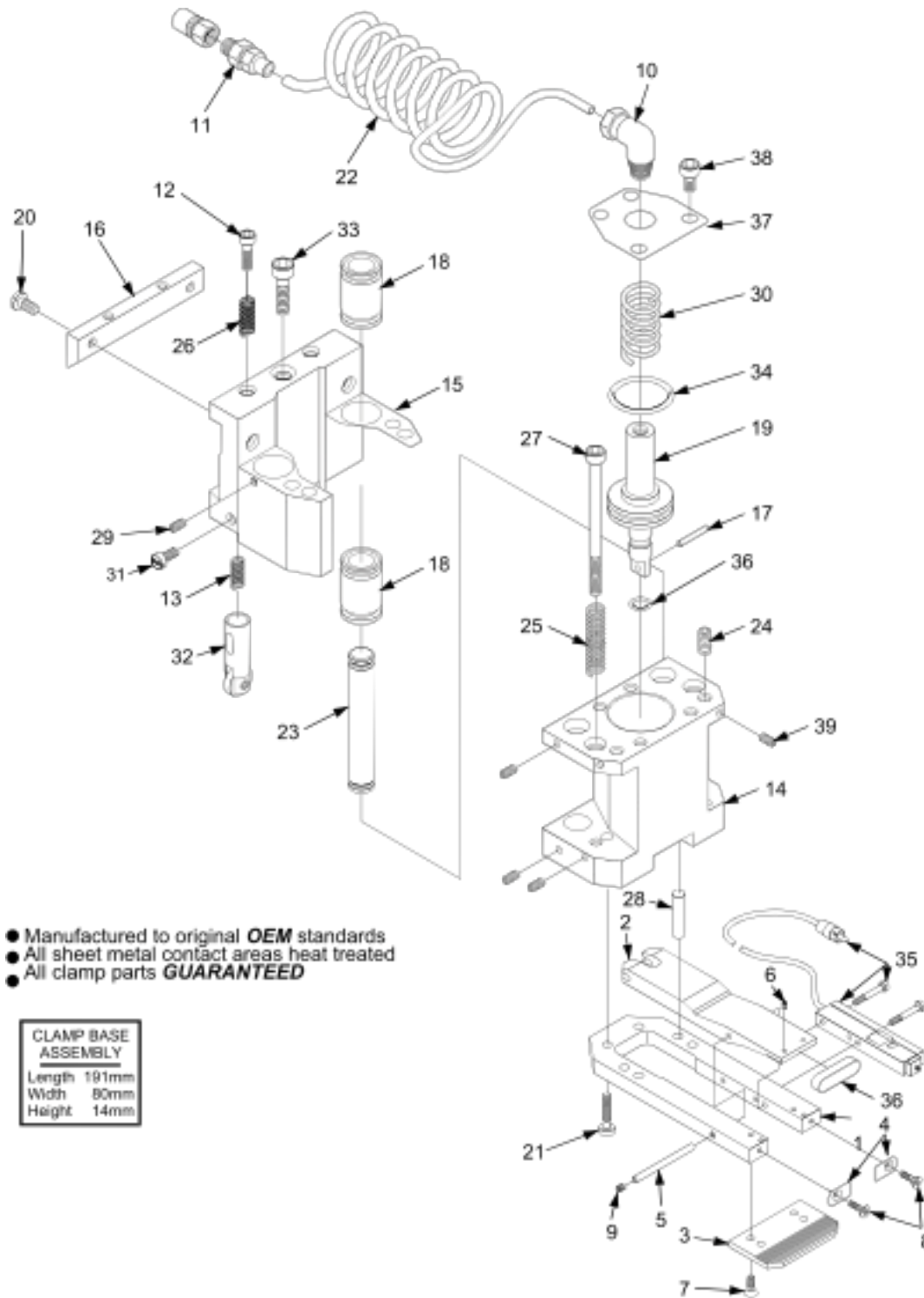
Toll Free U.S.A. & Canada
Tel: 800-328-9646
Fax: 800-222-0002

Toll Free Mexico
Tel: 001-800-741-2510
Fax: 001-800-544-2096

Website & Email
www.wilsontool.com
punching@wilsontool.com



OCTO CLAMP



- Manufactured to original **OEM** standards
- All sheet metal contact areas heat treated
- All clamp parts **GUARANTEED**

OCTO CLAMP

Wilson Drawing #	Wilson Part #	AMADA Drawing #	Description
1-39	WXA0103-CA	6010220	Complete Clamp Assembly
1-8	WXA0203-CBA	5033643	Clamp Base Assembly
N/A	WXA0203-CBAS	N/A	Clamp Base Assembly (accepts 3/8" material)
1	WXA0303-B	5033643	Clamp Base
2	WXA0403-CL	5033644	Clamper
3	WXA0501-CP	816025	Clamp Plate
4	WXA0601-SP	816026	Stopper Plate
5	WXA0794	M6X60	Straight Pin
6	WXA0830	M5 x 6	Screw - M5x6 - 10 pcs- (Clamper Tip)
7	WXA0831	M5 x 12	Screw - M5x12- 10 pcs- (Clamp Plate)
8	WXA0832	M4 x 10	Screw - M4x10- 10 pcs- (Stopper Plate)
9	WXA0835	N/A	Set Screw M8 x M8
10	WXA4155	KGL06-02S	Elbow
11	WXA4123	KGH06-02S	Connector
12	WXA0887	N/A	Shoulder Bolt
13	WXA0891	N/A	Spring
14	WXA0824	N/A	Clamp Body - Piston Side
15	WXA0823	N/A	Clamp Body - Dove Tail Side
16	WXA0881	N/A	Dove Tail Plate
17	WXA0882	N/A	Pin
18	WXA0862	N/A	Linear Bearing
19	WXA0621	N/A	Piston
20	WXA0875	N/A	Bolt
21	WXA0895	N/A	Bolt M8 X 25
22	WXA0876	N/A	Coil Tubing
23	WXA0898	N/A	Rod
24	WXA0848	N/A	Set Screw M6X8
25	WXA0886	N/A	Spring
26	WXA0888	N/A	Spring
27	WXA0884	N/A	Bolt
28	WXA0966	N/A	Pin
29	WXA0889	N/A	Set Screw - M6X6 - 10 pcs
30	WXA0846	N/A	Cylinder Spring
31	WXA0859C	N/A	Set Bolt
32	WXA0859	74161389	Plunger Assembly
33	WXA0839d	N/A	Socket Cap Screw - 10 pcs
34	WXA9234	N/A	O-Ring P50A
35	WXA0855A	8635270D	Sheet Sensor (for Auto Loader)
36	WXA0850	N/A	Urethane Boot
37	WXA0878A	N/A	Cylinder Cap
38	WXA0895	N/A	Bolt
39	WXA0889	N/A	Set Screw pkg of 10
N/A	WXA0803	20SM	Coupler-Female (quick connect)
N/A	WXA0804	20PF (1/4")	Coupler-Male (quick connect)
N/A	WXA0840	N/A	Shims .010"- 10 pcs
N/A	WXA0841	N/A	Shims .003"- 10 pcs
N/A	WXA0842	N/A	Shims .005"- 10 pcs

Local
Tel: 651-286-6001
Fax: 651-286-5959

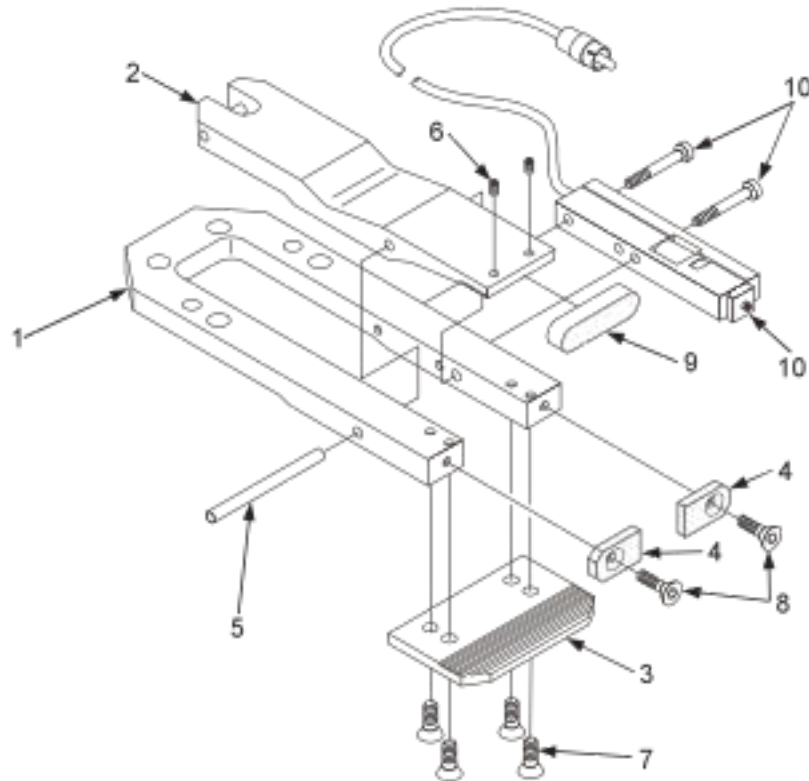
Toll Free U.S.A. & Canada
Tel: 800-328-9646
Fax: 800-222-0002

Toll Free Mexico
Tel: 001-800-741-2510
Fax: 001-800-544-2096

Website & Email
www.wilsontool.com
punching@wilsontool.com



ARIES 222,224 CLAMP



- Manufactured to original **OEM** standards
- All sheet metal contact areas heat treated
- All clamp parts **GUARANTEED**

CLAMP BASE ASSEMBLY	
Length	180mm
Width	64mm
Height	14mm

ARIES 222, 224 CLAMP

Wilson Drawing #	Wilson Part #	AMADA Drawing #	Description
1-8	WXA0204-CBA	6043408	Clamp Base Assembly
1	WXA0304-B	6043408	Clamp Base
2	WXA0404-CL	6043409	Clamper
3	WXA0502-CP	6043410	Clamp Plate
4	WXA0602-SP	6043411	Stopper Plate
5	WXA0794	M6 X 60	Straight Pin
6	WXA0830	M5 x 6	M5x6 Set Screw - 10 pcs (Clamper Tip)
7	WXA0831	M5 x 12	M5x12 Screw - 10 pcs (Clamp Plate)
8	WXA0832	M4 x 10	M4x10 Screw - 10 pcs (Stopper Plate)
10	WXA0855A	8635270D	Sheet Sensor (for Auto Loader)
N/A	WXA0803	20SM	Coupler-Female (quick connect)
N/A	WXA0804	20PF (1/4")	Coupler-Male (quick connect)
N/A	WXA0811	KR10X20	Clamp Lever (Steel) 10mm
N/A	WXA0812	KR12X20	Clamp Lever (Steel) 12mm
N/A	WXA0840	N/A	Shims .010"- 10 pcs
N/A	WXA0841	N/A	Shims .003"- 10 pcs
N/A	WXA0842	N/A	Shims .005"- 10 pcs
N/A	WXA0856A	7930044	Sheet Sensor - 4 Pin Plug-Female Side
N/A	WXA4111	6 X 4	Vinyl Tubing 6 x 4mm / foot
N/A	WXA4155	KQL06-02S	Elbow

Local
Tel: 651-286-6001
Fax: 651-286-5959

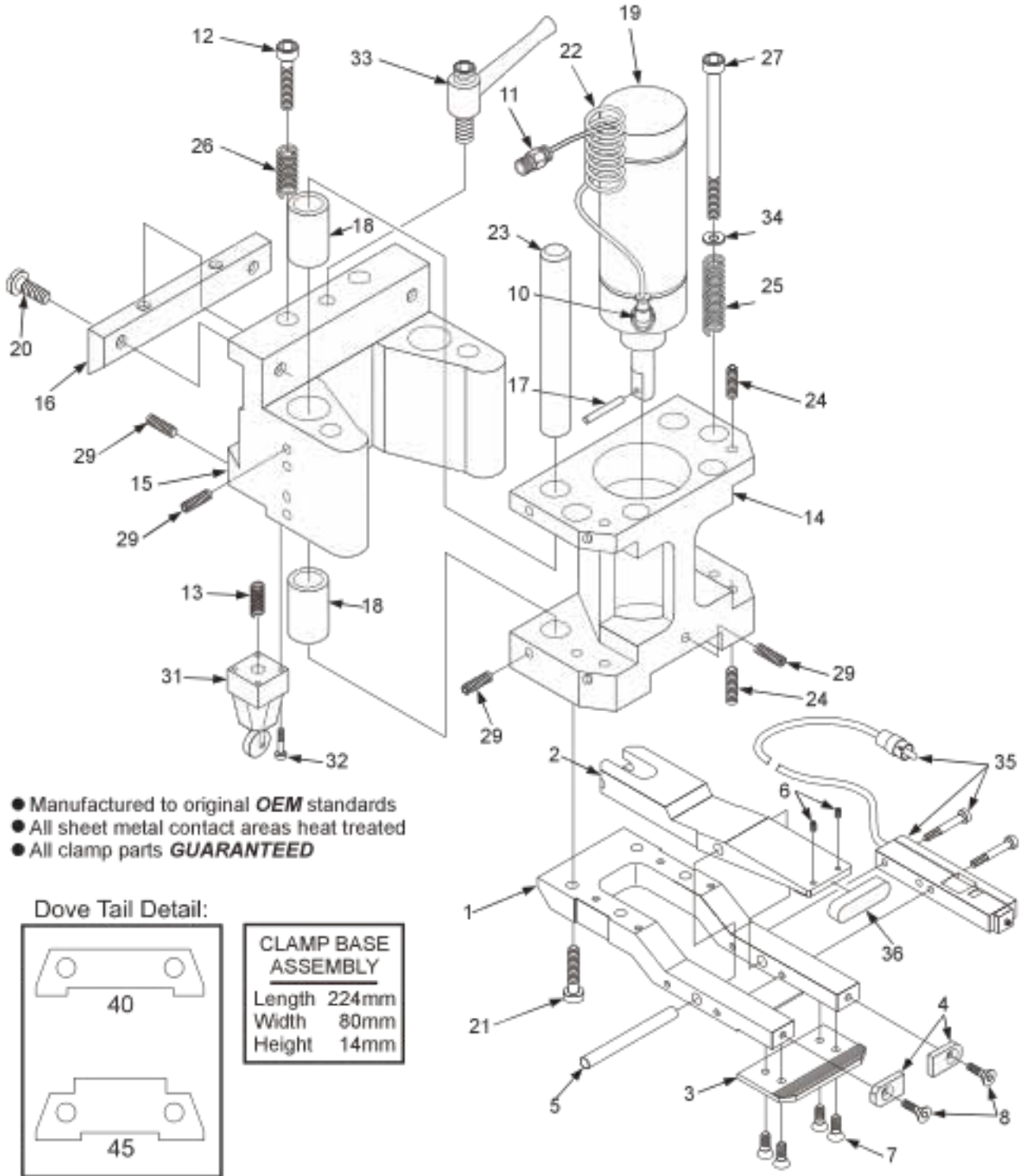
Toll Free U.S.A. & Canada
Tel: 800-328-9646
Fax: 800-222-0002

Toll Free Mexico
Tel: 001-800-741-2510
Fax: 001-800-544-2096

Website & Email
www.wilsontool.com
punching@wilsontool.com



LYRA, COMA, VELA - THIN CLAMP - PNEUMATIC



LYRA, COMA, VELA - THIN CLAMP - PNEUMATIC

Wilson Drawing #	Wilson Part #	AMADA Drawing #	Description
1-8	WXA0205-CBA	806067	Clamp Base Assembly
1-34	WXA0105-CA	806080	Complete Clamp Assembly
1	WXA0305-B	806067	Clamp Base
2	WXA0405-CL	826194	Clamper
3	WXA0504-CP	826076	Clamp Plate
4	WXA601-SP	816026	Stopper Plate
5	WXA0795	M6 X80	Straight Pin
6	WXA0830	M5 x 6	Screw -M5x6 - 10 pcs-(Clamper Tip)
7	WXA0831	M5 x 12	Screw -M5x12 - 10 pcs-(Clamp Plate)
8	WXA0832	M4 x 10	Screw -M4x10 - 10 pcs-(Stopper Plate)
10	WXA4155	KQL06-02S	Elbow
11	WXA4123	KQH06-02S	Connector
12	WXA0887	N/A	Shoulder Bolt
13	WXA0891	N/A	Spring
14	WXA0872B	N/A	Clamp Body - Piston Side
15	WXA0880	N/A	Clamp Body - Dove Tail Side
16	WXA0881	N/A	Dove Tail Plate
17	WXA0882	N/A	Pin
18	WXA0869	N/A	Linear Bearing
19	WXA0870	N/A	Air Cylinder
20	WXA0875	N/A	Bolt
21	WXA0895	N/A	Bolt
22	WXA0876	N/A	Coil Tubing
23	WXA0883	N/A	Rod
24	WXA0831B	N/A	Set Screw M6X8
25	WXA0886	N/A	Spring
26	WXA0888	N/A	Spring
27	WXA0884	N/A	Bolt
29	WXA0889	N/A	Set Screw - M6X6 - 10 pcs
30	WXA0835	N/A	Set Screw - M8X8
31	WXA0871	FOR-WLD2	Head
32	WXA0890	N/A	Bolt - 10pcs
33	WXA0812	806075	Clamp Lever [Steel] 12mm
34	WXA0885	N/A	Washer - 10pcs
35	WXA0855A	8635270D	Sheet Sensor (for Auto Loader)
36	WXA0850	N/A	Urethane Boot (for Clamper Tip)
40 or 45	WXA0860A	803090	Dove Tail System (Guide Plate)
N/A	WXA0803	20SM C	Coupler-Female (quick connect)
N/A	WXA0804	20PF 9(1/4")	Coupler-Male (quick connect)
N/A	WXA0840	N/A	Shims .010"- 10 pcs
N/A	WXA0841	N/A	Shims .003"- 10 pcs
N/A	WXA0842	N/A	Shims .005"- 10 pcs
N/A	WXA0856A	7930044	Sheet Sensor -4 Pin Plug-Female Side

Local
Tel: 651-286-6001
Fax: 651-286-5959

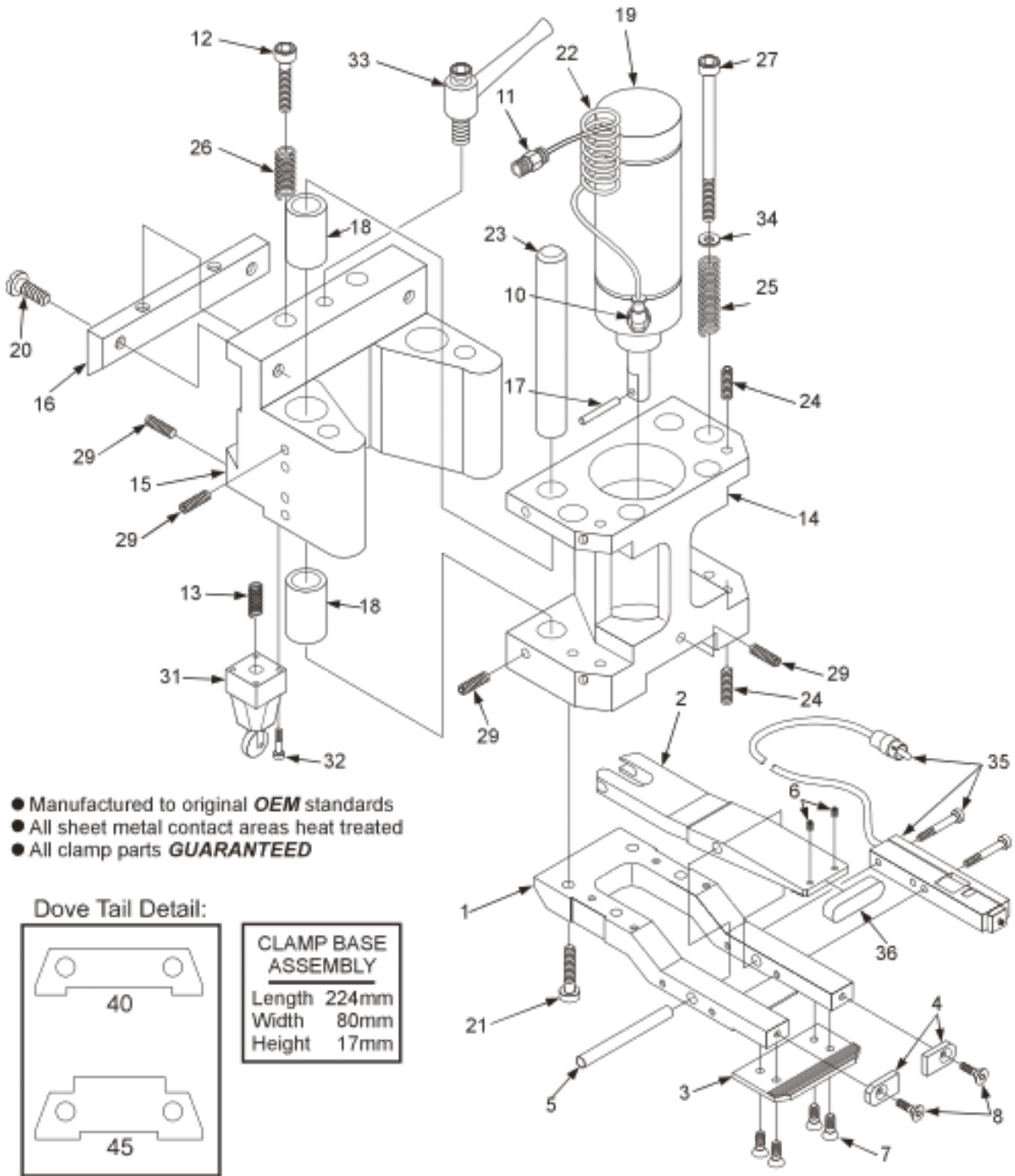
Toll Free U.S.A. & Canada
Tel: 800-328-9646
Fax: 800-222-0002

Toll Free Mexico
Tel: 001-800-741-2510
Fax: 001-800-544-2096

Website & Email
www.wilsontool.com
punching@wilsontool.com

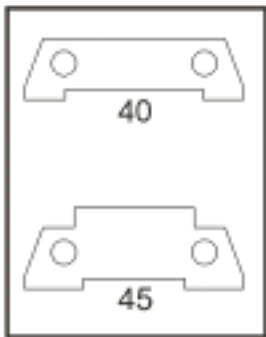


VELA, COMA - THICK CLAMP - PNEUMATIC



- Manufactured to original **OEM** standards
- All sheet metal contact areas heat treated
- All clamp parts **GUARANTEED**

Dove Tail Detail:

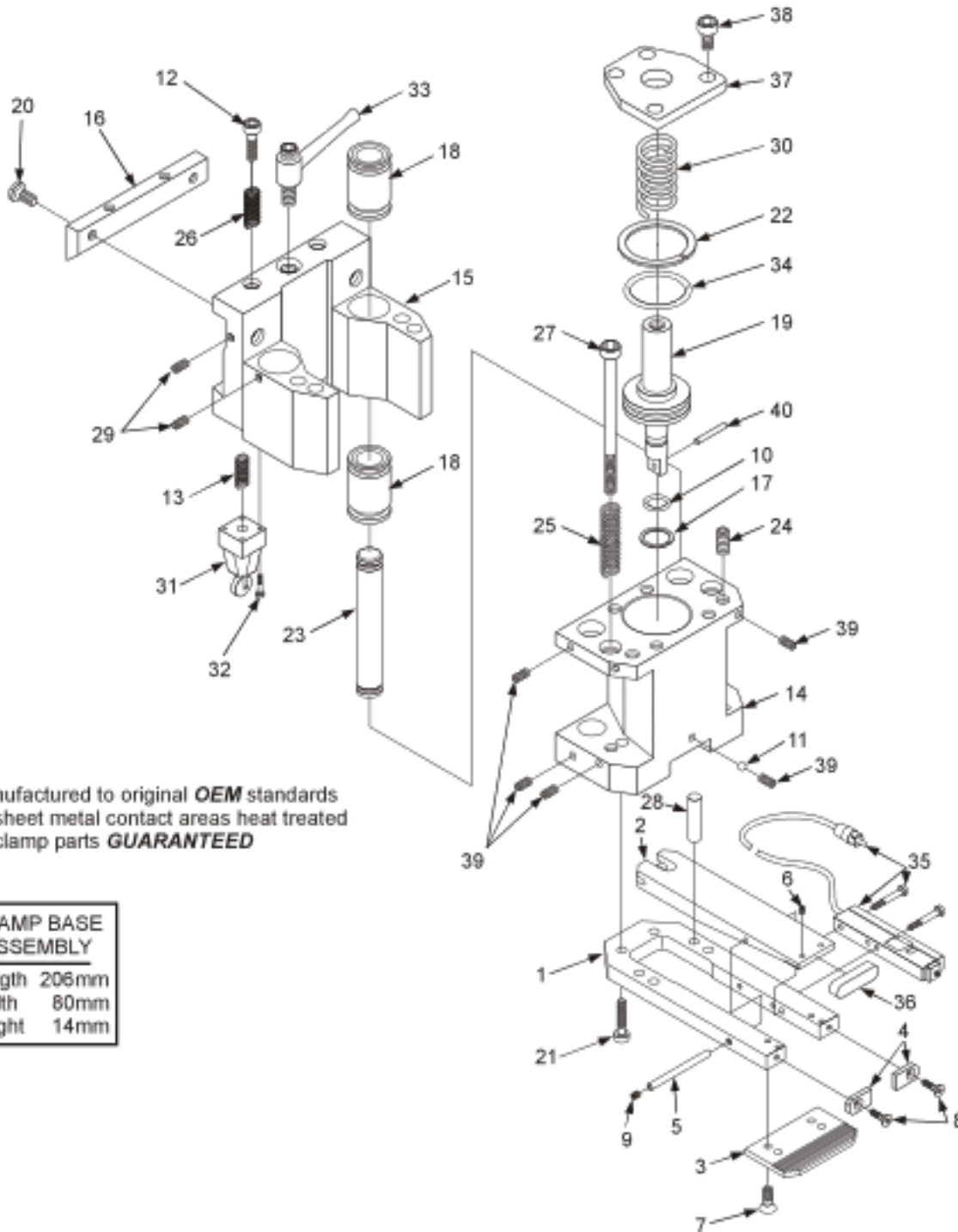


CLAMP BASE ASSEMBLY	
Length	224mm
Width	80mm
Height	17mm

VELA, COMA - THICK CLAMP - PNEUMATIC

Wilson Drawing #	Wilson Part #	AMADA Drawing #	Description
1-8	WXA0206-CBA	826031	Clamp Base Assembly
1-34	WXA0106-CA	826030B	Complete Clamp Assembly
1	WXA0306-B	826031	Clamp Base
2	WXA0406-CL	826032	Clamper
3	WXA0504-CP	826076	Clamp Plate
4	WXA0603-SP	826092	Stopper Plate
5	WXA0795	M6 X 80	Straight Pin
6	WXA0830	M5 X 6	Set Screw-10 pcs- M5x6 -(Clamper Tip)
7	WXA0831	M5 X 12	Screw - 10 pcs- M5x12 -(Clamp Plate)
8	WXA0831	M5 X 12	Screw - 10 pcs- M5x12 -(Stopper Plate)
10	WXA4155	KQL06-02S	Elbow
11	WXA4123	KQH06-02S	Connector
12	WXA0887	N/A	Shoulder Bolt
13	WXA0891	N/A	Spring
14	WXA0872B	N/A	Clamp Body - Piston Side
15	WXA0880	N/A	Clamp Body - Dove Tail Side
16	WXA0881	N/A	Dove Tail Plate
17	WXA0882	N/A	Pin
18	WXA0869	N/A	Linear Bearing
19	WXA0870	N/A	Air Cylinder
20	WXA0875	N/A	Bolt
21	WXA0895	N/A	Bolt
22	WXA0876	N/A	Coil Tubing
23	WXA0883	N/A	Rod
24	WXA0831B	N/A	Set Screw M6X8
25	WXA0886	N/A	Spring
26	WXA0888	N/A	Spring
27	WXA0884	N/A	Bolt
29	WXA0889	N/A	Set Screw - M6X6 - 10 pcs
30	WXA0835	N/A	Set Screw - M8X8
31	WXA0871	FOR-WLD2	Head
32	WXA0890	N/A	Bolt - 10pcs
33	WXA0812	806075	Clamp Lever (Steel) 12mm
34	WXA0885	N/A	Washer - 10pcs
35	WXA0855A	8635270-D	Sheet Sensor (for Auto Loader)
36	WXA0850	N/A	Urethane Boot (for Clamper Tip)
40 OR 45	WXA0860A	823016/803090	Dove Tail System (Guide Plate)
N/A	WXA0803	20SM	Coupler-Female (quick connect)
N/A	WXA0804	20PF (1/4")	Coupler-Male
N/A	WXA0840	N/A	Shims .010"- 10 pcs
N/A	WXA0841	N/A	Shims .003"- 10 pcs
N/A	WXA0842	N/A	Shims .005"- 10 pcs
N/A	WXA0856A	7930044	Sheet Sensor-4 Pin Plug-Female Side

NEW STYLE HYDRAULIC CLAMP WXA107-INT



- Manufactured to original **OEM** standards
- All sheet metal contact areas heat treated
- All clamp parts **GUARANTEED**

CLAMP BASE ASSEMBLY	
Length	206mm
Width	80mm
Height	14mm

NEW STYLE HYDRAULIC CLAMP WXA107-INT

Wilson Drawing #	Wilson Part #	AMADA Drawing #	Description
1-9	WXA0207-CBA	826193	Clamp Base Assembly
1-40	WXA107-INT**	826190	Complete Clamp Assembly
1	WXA0307-B	826193	Clamp Base
2	WXA0407-CL	826194	Clamper
3	WXA0501-CP	816025	Clamp Plate
4	WXA0601-SP	816026	Stopper Plate
5	WXA0796	M8 X 60	Straight Pin
6	WXA0830	M5 X 6	Set Screw- 10 pcs- M5X6 (Clamper Tip)
7	WXA0831	M5 X 12	Screw - 10 pcs- M5X12- (Clamp Plate)
8	WXA0832	M4 x10	Screw - 10 pcs-M4x10(Stopper Plate)
9	WXA0836	M10 x 12	Set Screw Cup - M10 X 12
10	WXA9227	N/A	O-Ring P-32
11	WXA0865	N/A	3/16 Steel Ball
12	WXA0887	N/A	Shoulder Bolt M6
13	WXA0891	N/A	Spring (Head Cover)
14	WXA0872HN	N/A	Clamp Body - Piston Side New Style
15	WXA0879HN	N/A	Clamp Body - Dove Tail Side New Style
16	WXA0881	N/A	Dove Tail Plate
17	WXA08342	N/A	B/U Ring T2-22
18	WXA0751	N/A	Linear Bearing ST16B
19	WXA0620HN	N/A	Clamp Piston Hydraulic
20	WXA0875	N/A	Dove Tail Bolt
21	WXA0895	N/A	Socket Head Cap Bolt M8x25
22	WXA8341	N/A	B/U Ring T2-P32
23	WXA0787	N/A	Steel Rod 16mmX120mm
24	WXA0848	N/A	Half Dog Set Screw M10X
25	WXA0877	N/A	Clamp Spring
26	WXA0888	N/A	Spring 1-1/4"
27	WXA0902	N/A	Socket Head Cap Bolt M6X100
28	WXA0966	N/A	Dowel Pin M10X24
29	WXA0825	N/A	M4X6 Cone Point Set Screw
30	WXA0846HN	N/A	Cylinder Spring New Style Hydraulic
31	WXA0871	6WPH200-1	Head cover
32	WXA0835	N/A	Socket Head Cap Bolt M4X20
33	WXA0812	KR12 X 20	Clamp Lever 12mm
34	WXA9230	N/A	O-Ring P-32
35	WXA0855A	8635270D	Sheet Sensor Assy.
36	WXA0850	N/A	Urethane Boot (for Clamper Tip)
37	WXA0878HN	N/A	Cylinder Cap New Style Hydraulic
38	WXA0849	N/A	Socket Head Cap Head Bolt M6x12
39	WXA0889	N/A	Set Screws M6x6 (pkg. 10)
40	WXA0873i	N/A	Dowel Pin M8x30
N/A	WXA0805	2HS (1/4")	Coupler-Female
N/A	WXA0806	2HP (1/4")	Coupler-Male
N/A	WXA0811	KR10 X 20	Clamp Lever (Steel) 10mm
N/A	WXA0840	N/A	Shims .010"- 10 pcs
N/A	WXA0841	N/A	Shims .003"- 10 pcs
N/A	WXA0842	N/A	Shims .005"- 10 pcs
N/A	WXA8200	74166005	Hydraulic Clamp Pump Unit

** excludes #35 & #36

Local
Tel: 651-286-6001
Fax: 651-286-5959

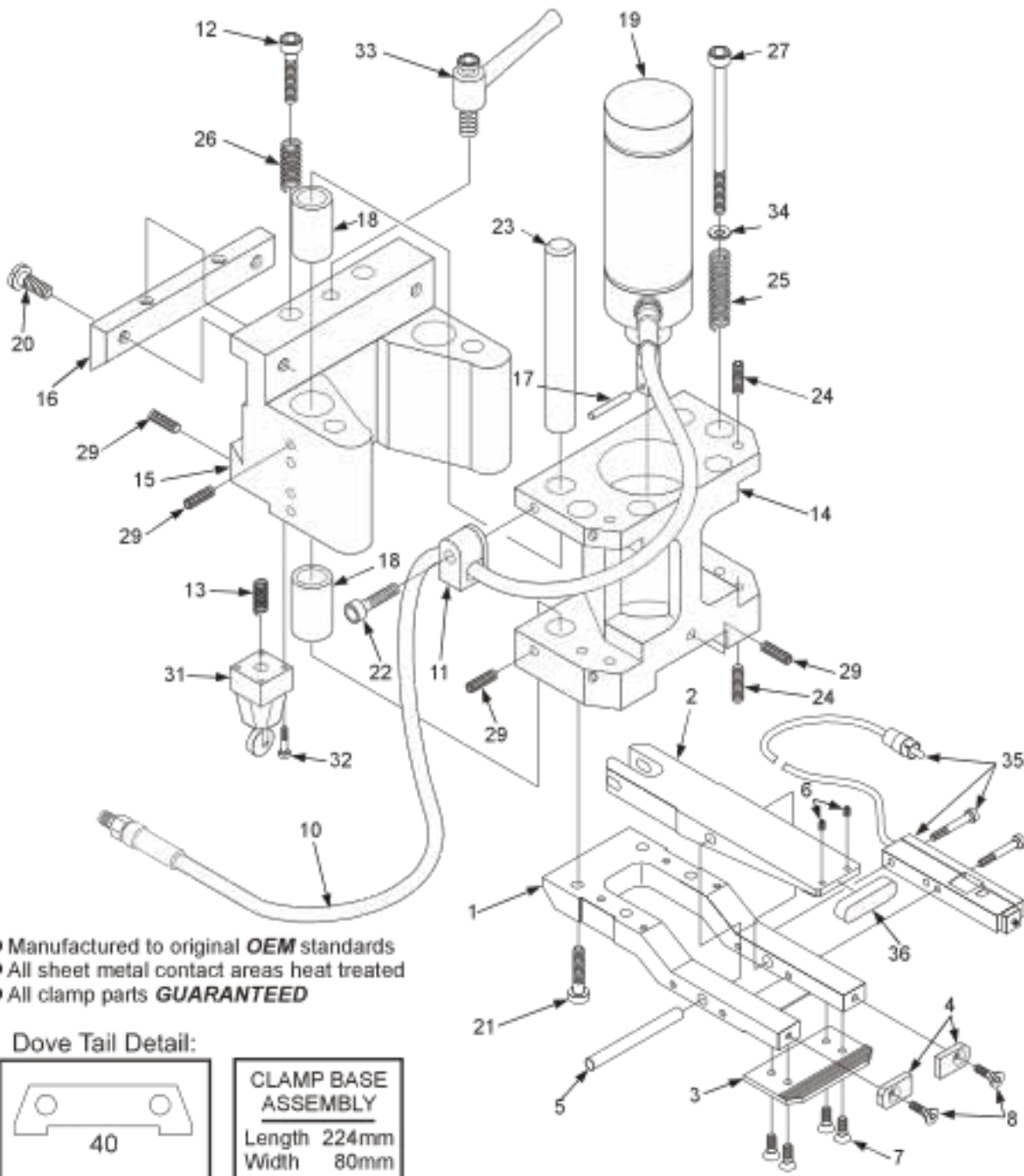
Toll Free U.S.A. & Canada
Tel: 800-328-9646
Fax: 800-222-0002

Toll Free Mexico
Tel: 001-800-741-2510
Fax: 001-800-544-2096

Website & Email
www.wilsontool.com
punching@wilsontool.com

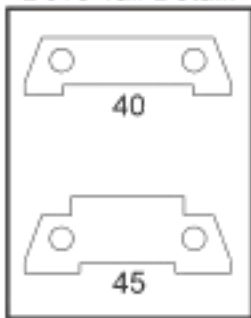


COMA - ORIGINAL STYLE CLAMP - HYDRAULIC



- Manufactured to original **OEM** standards
- All sheet metal contact areas heat treated
- All clamp parts **GUARANTEED**

Dove Tail Detail:

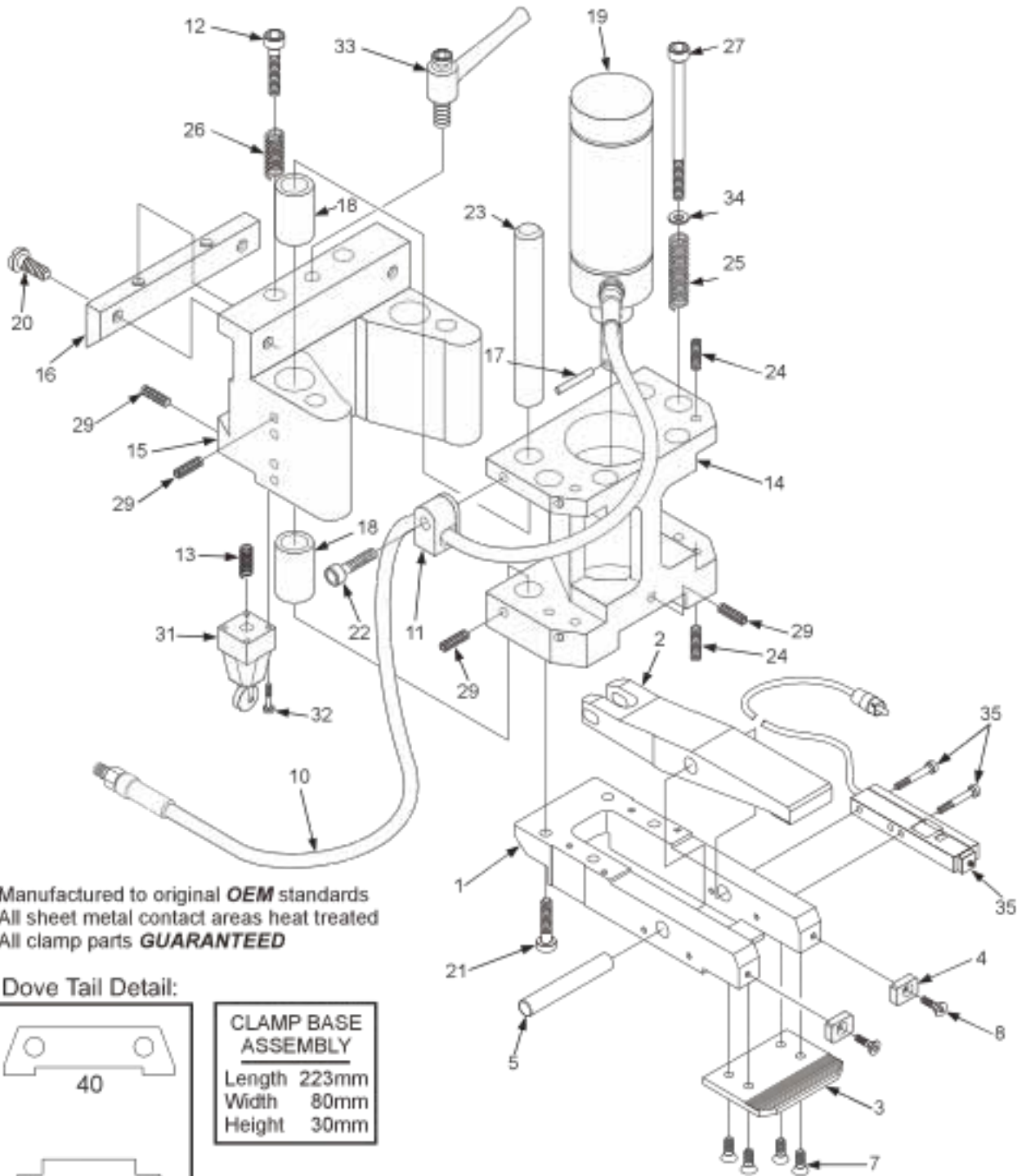


CLAMP BASE ASSEMBLY
Length 224mm
Width 80mm
Height 17mm

COMA - ORIGINAL STYLE CLAMP - HYDRAULIC

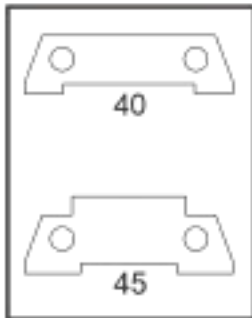
Wilson Drawing #	Wilson Part #	AMADA Drawing #	Description
1-8	WXA0208-CBA	826074	Clamp Base Assembly
1-34	WXA0108-CA	826070D	Complete Clamp Assembly
1	WXWXA0308-B	826074B	Clamp Base
2	WXA0408-CL	826075A	Clamper
3	WXA0504-CP	826076	Clamp Plate
4	WXA0603-SP	826092	Stopper Plate
5	WXA0797	8 X 80	Straight Pin
6	WXA0830	M5 x 6	Set Screw- 10 pcs-M5X6-(Clamper Tip)
7	WXA0893	M5 x 12	Screw - 10 pcs-M5X12-(Clamp Plate)
8	WXA0893	M5 X 12	Screw - 10 pcs-M5X12-(Stopper Plate)
10	WXA8227	827577	Hydraulic Hose
11	WXA0896	N/A	Hose Clamp Holder
12	WXA0887	N/A	Shoulder Bolt
13	WXA0891	N/A	Spring
14	WXA0872B	N/A	Clamp Body - Piston Side
15	WXA0880	N/A	Clamp Body - Dove Tail Side
16	WXA0881	N/A	Dove Tail Plate
17	WXA0873i	N/A	Pin
18	WXA0869	N/A	Linear Bearing
19	WXA0873A	N/A	Hydraulic Cylinder
20	WXA0875	N/A	Bolt
21	WXA0895	N/A	Bolt
22	WXA0834A	N/A	Screw 10 Pcs
23	WXA0883	N/A	Rod
24	WXA0831B	N/A	Set Screw M6X8
25	WXA0886	N/A	Spring
26	WXA0888	N/A	Spring
27	WXA0884	N/A	Bolt
29	WXA0889	N/A	Set Screw - M6X6 - 10 pcs
31	WXA0871	6WPH200-1	Head
32	WXA0890	N/A	Bolt - 10pcs
33	WXA0812	KR12 X 20	Clamp Lever (Steel) 12mm
34	WXA0885	N/A	Washer - 10pcs
35	WXA0855A	8635270D	Sheet Sensor (for Auto Loader)
36	WXA0850	N/A	Urethane Boot (for Clamper Tip)
40 OR 45	WXA0860A	823016 / 803090	Dove Tail System (Guide Plate)
N/A	WXA0805	2HS (1/4")	Coupler-Female (quick connect)
N/A	WXA0806	2HP (1/4")	Coupler-Male (quick connect)
N/A	WXA0840	N/A	Shims .010"- 10 pcs
N/A	WXA0841	N/A	Shims .003"- 10 pcs
N/A	WXA0842	N/A	Shims .005"- 10 pcs
N/A	WXA0856A	7930044	Sheet Sensor - 4 Pin Plug-Female Side
N/A	WXA8200	74166005	Hydraulic Clamp Pump Unit

COMA - THICK CLAMP - HYDRAULIC



- Manufactured to original **OEM** standards
- All sheet metal contact areas heat treated
- All clamp parts **GUARANTEED**

Dove Tail Detail:

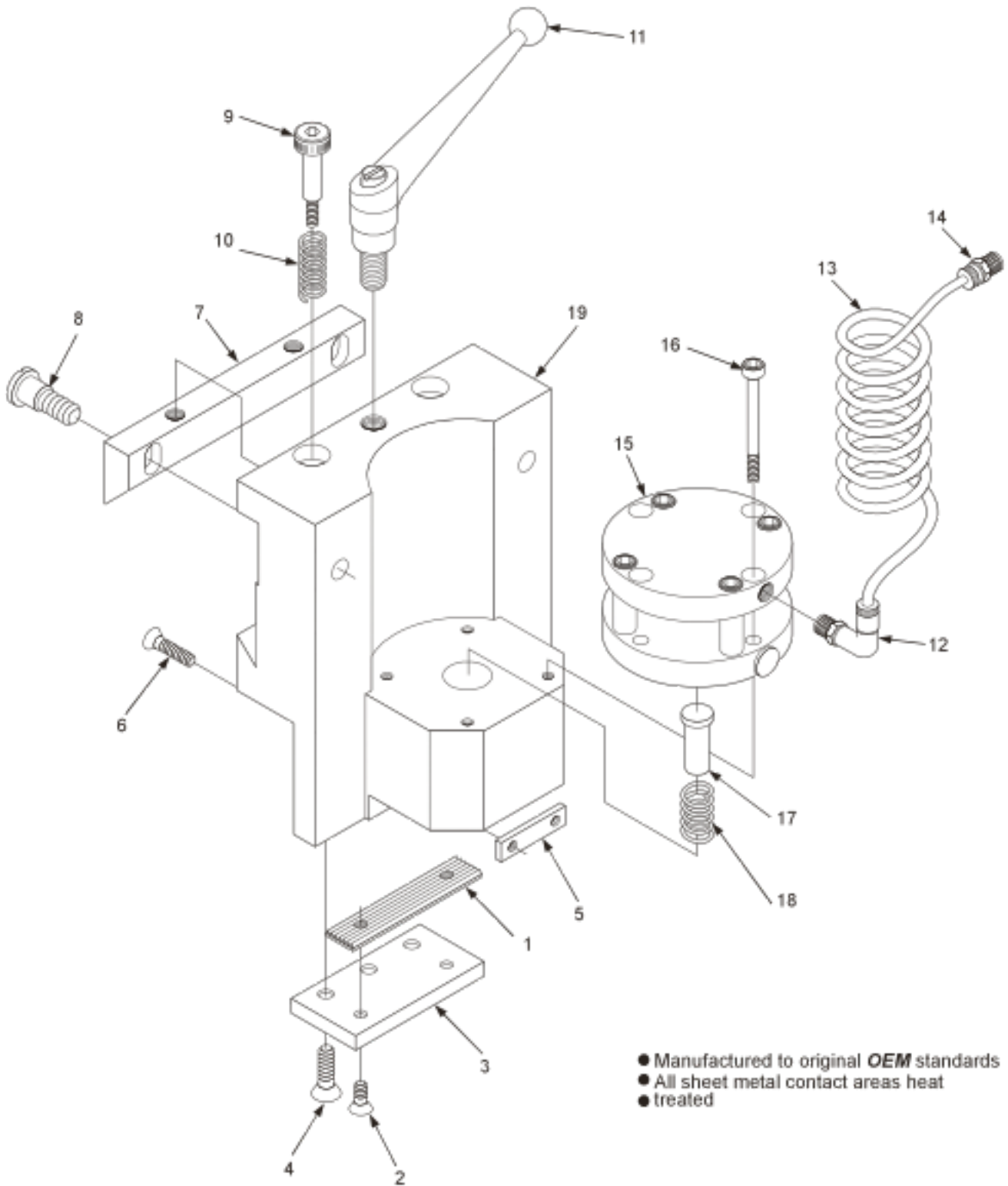


CLAMP BASE ASSEMBLY	
Length	223mm
Width	80mm
Height	30mm

COMA - THICK CLAMP - HYDRAULIC

Wilson Drawing #	Wilson Part #	AMADA Drawing #	Description
1-8	WXA0209-CBA	826044	Clamp Base Assembly
1-34	WXA0109-CA	826040	Complete Clamp Assembly
1	WXA0309-B	826044	Clamp Base
2	WXA0409-CL	826054	Clamper
3	WXA0505-CP	826046	Clamp Plate
4	WXA0604-SP	826043	Stopper Plate
5	WXA0798	M13 X 80	Straight Pin
7	WXA0833	M6 x 18	Screw - 10 pcs-M6X18 (Clamp Plate)
8	WXA0833	M6 x 18	Screw - 10 pcs-M6X18 (Stopper Plate)
10	WXA8227	827577	Hydraulic Hose
11	WXA0896	N/A	Hose Clamp Holder
12	WXA0887	N/A	Shoulder Bolt
13	WXA0891	N/A	Spring
14	WXA0872B	N/A	Clamp Body - Piston Side
15	WXA0880	N/A	Clamp Body - Dove Tail Side
16	WXA0881	N/A	Dove Tail Plate
17	WXA0873i	N/A	Pin
18	WXA0869	N/A	Linear Bearing
19	WXA0873A	N/A	Hydraulic Cylinder
20	WXA0875	N/A	Bolt
21	WXA0895	N/A	Bolt
22	WXA0834A	N/A	Screw - 10 pcs
23	WXA0883	N/A	Rod
24	WXA0831B	N/A	Set Screw M6X8
25	WXA0886	N/A	Spring
26	WXA0888	N/A	Spring
27	WXA0884	N/A	Bolt
29	WXA0889	N/A	Set Screw - M6X6 - 10 pcs
31	WXA0871	6WPH200-1	Head
32	WXA0890	N/A	Bolt - 10pcs
33	WXA0812	KR12 X 20	Clamp Lever
34	WXA0885	N/A	Washer - 10pcs
35	WXA0855A	8635270D	Sheet Sensor (for Auto Loader)
40 OR 45	WXA0860A	823016 / 803090	Dove Tail System (Guide Plate)
N/A	WXA0805	2HS (1/4")	Coupler-Female (quick connect)
N/A	WXA0806	2HP (1/4")	Coupler-Male (quick connect)
N/A	WXA0840	N/A	Shims .010"- 10 pcs
N/A	WXA0841	N/A	Shims .003"- 10 pcs
N/A	WXA0842	N/A	Shims .005"- 10 pcs
N/A	WXA0856A	7930044	Sheet Sensor -4 Pin Plug-Female Side
N/A	WXA8200	74166005	Hydraulic Clamp Pump Unit

COMA, VELA, LYRA, PEGA - STUBBY CLAMP



COMA, VELA, LYRA, PEGA - STUBBY CLAMP

Wilson Drawing #	Wilson Part #	AMADA Drawing #	Description
1-19	WXA0110-CA	N/A	Complete Clamp Assembly Pneumatic
1	WXA0943	N/A	Clamp Plate
2	WXA0832	N/A	Screw M4 X 10, package of 10
3	WXA0942	N/A	Back Up Plate
4	WXA0827	N/A	Screw M6 X 16
5	WXA0941	N/A	Stopper
6	WXA0937	N/A	Screw M5 X 20, package of 10
7	WXA0881	N/A	Dove Tail Plate
8	WXA0875	N/A	Bolt
9	WXA0887	N/A	Shoulder Bolt
10	WXA0888	N/A	Spring
11	WXA0812	N/A	Clamp Lever (Steel) 12mm
12	WXA4153	N/A	Elbow Connector
13	WXA0876	N/A	Clamp Coil Tubing
14	WXA4123	N/A	Connector
15	WXA0938	N/A	Air Cylinder
16	WXA0936	N/A	Screw M5 X 55
17	WXA0940	N/A	Plunger Clamp
18	WXA0891	N/A	Spring
19	WXA0968	N/A	Lower Unit
N/A	WXA0803	2OSM	Coupler-Female
N/A	WXA0804	2OPF (1/4")	Coupler-Male

Local
Tel: 651-286-6001
Fax: 651-286-5959

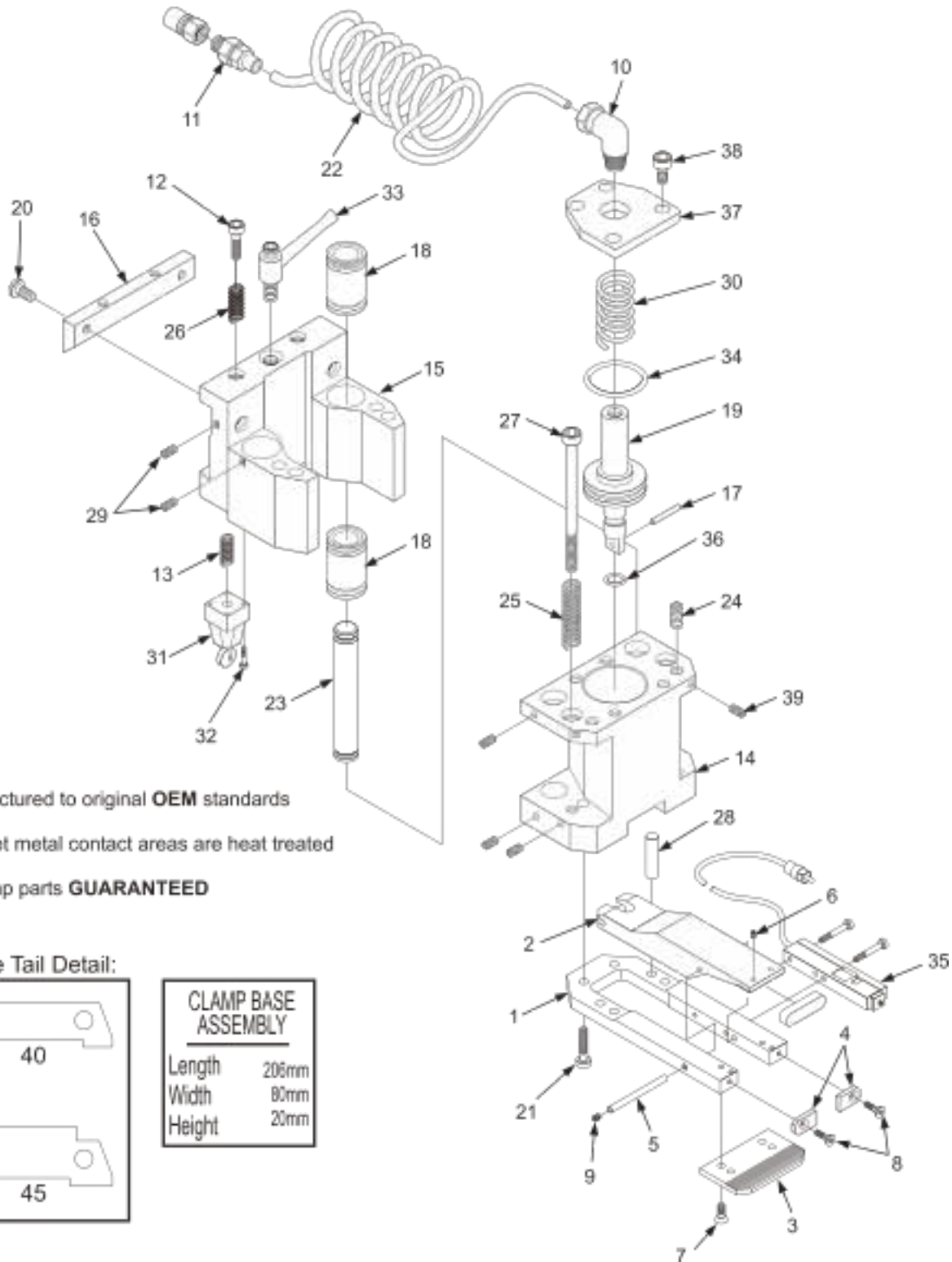
Toll Free U.S.A. & Canada
Tel: 800-328-9646
Fax: 800-222-0002

Toll Free Mexico
Tel: 001-800-741-2510
Fax: 001-800-544-2096

Website & Email
www.wilsontool.com
punching@wilsontool.com

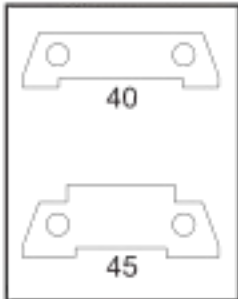


LASER CLAMP - APELIO AND PULSAR - 10MM



- Manufactured to original **OEM** standards
- All sheet metal contact areas are heat treated
- All clamp parts **GUARANTEED**

Dove Tail Detail:



CLAMP BASE ASSEMBLY	
Length	206mm
Width	80mm
Height	20mm

LASER CLAMP - APELIO AND PULSAR - 10MM

Wilson Drawing #	Wilson Part #	AMADA Drawing #	Description
1-9	WXA0210-CBA 1	662497	Clamp Base Assembly, 10mm Open Height
1-34	WXA0112-CA	1662495	Complete Clamp Assembly, 10mm Open Height
1	WXA0310-B	1662497	Clamp Base
2	WXA0410-CL	1662498	Clamper
3	WXA0501-CP	1662499	Clamp Plate
4	WXA0605-SP	N/A	Stopper Plate
5	WXA0794	M6X60	Straight Pin
6	WXA0830	M5 x 6	Screw - M5x6 - 10 pcs- (Clamper Tip)
7	WXA0831	M5 x 12	Screw - M5x12- 10 pcs- (Clamp Plate)
8	WXA0832	M4 x 10	Screw - M4x10- 10 pcs- (Stopper Plate)
9	WXA0835	M8 x 8	Set Screw - M8x8
10	WXA4155	KQL06-02S	Elbow
11	WXA4123	KQH06-02S	Connector
12	WXA0887	N/A	Shoulder Bolt
13	WXA0891	N/A	Spring
14	WXA0874A	N/A	Clamp Body - Piston Side
15	WXA0879	N/A	Clamp Body - Dove Tail Side
16	WXA0881	N/A	Dove Tail Plate
17	WXA0882	N/A	Pin
18	WXA0862	N/A	Linear Bearing
19	WXA0622	N/A	Piston
20	WXA0875	N/A	Bolt
21	WXA0895	N/A	Bolt
22	WXA0876	N/A	Coil Tubing
23	WXA0898	N/A	Rod
24	WXA0831B	N/A	Set Screw M6X8
25	WXA0877	N/A	Spring
26	WXA0888	N/A	Spring
27	WXA0839	N/A	Bolt
28	WXA0966	N/A	Pin
29	WXA0889	N/A	Set Screw - M6X6 - 10 pcs
30	WXA0846a	N/A	Piston Spring
31	WXA0871	6WPH200-1	Head
32	WXA0890	N/A	Bolt - 10pcs
33	WXA0812	KR12 x 20	Clamp Lever (Steel) 12mm
34	WXA9237	N/A	Washer - 10pcs
35	WXA0855A	8635270D	Sheet Sensor (for Auto Loader)
36	WXA9220	P-12	O-Ring
37	WXA0878	74335901	Cylinder Cap
38	WXA0839q	N/A	M6 x 16 Cap Head Screw (pkg 10)
39	WXA0825	N/A	M4 x 6 Cone Point Set Screw (pkg 10)
40/45	WXA0860A	813129	Dove Tail System (Guide Plate)
N/A	WXA0803	20SM	Coupler-Female
N/A	WXA0804	20PF (1/4")	Coupler-Male
N/A	WXA0811	KR10 x 20	Clamp Lever 10mm
N/A	WXA0840	N/A	Shims .010"- 10 pcs
N/A	WXA0841	N/A	Shims .003"- 10 pcs
N/A	WXA0842	N/A	Shims .005"- 10 pcs

Local
Tel: 651-286-6001
Fax: 651-286-5959

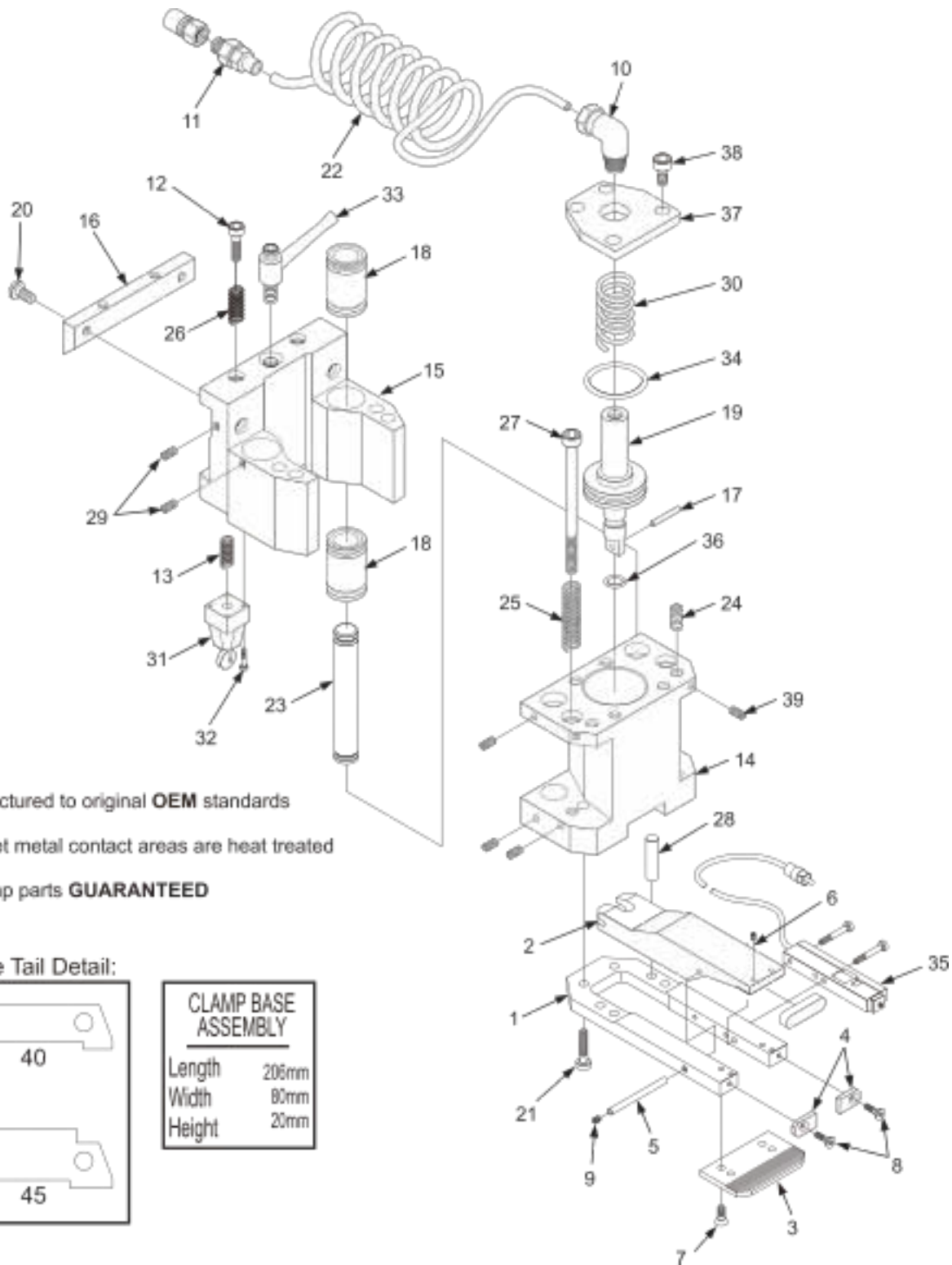
Toll Free U.S.A. & Canada
Tel: 800-328-9646
Fax: 800-222-0002

Toll Free Mexico
Tel: 001-800-741-2510
Fax: 001-800-544-2096

Website & Email
www.wilsontool.com
punching@wilsontool.com

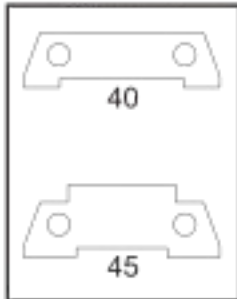


LASER CLAMP - APELIO AND PULSAR - 13MM



- Manufactured to original **OEM** standards
- All sheet metal contact areas are heat treated
- All clamp parts **GUARANTEED**

Dove Tail Detail:

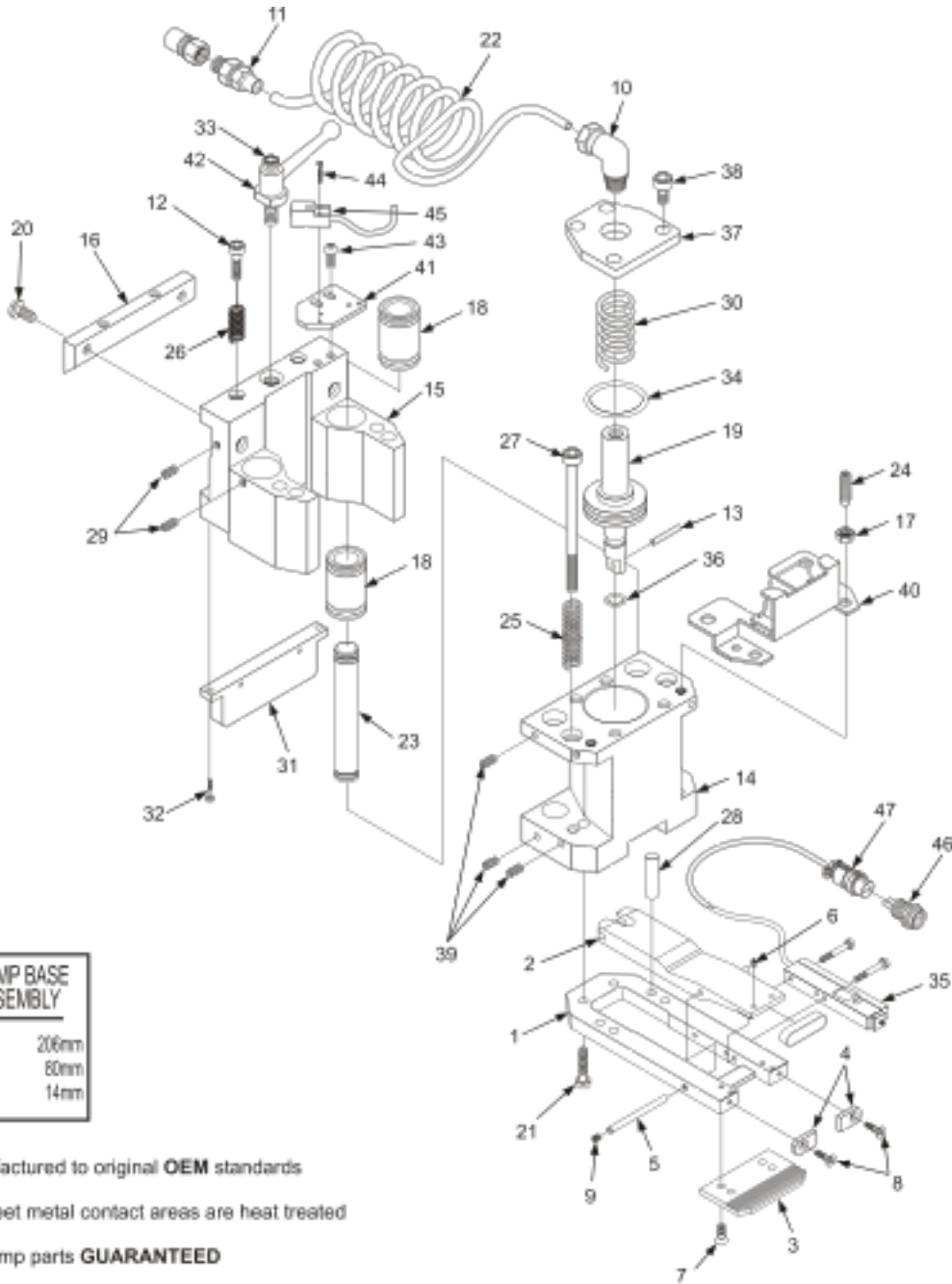


CLAMP BASE ASSEMBLY	
Length	206mm
Width	80mm
Height	20mm

LASER CLAMP - APELIO AND PULSAR - 13MM

Wilson Drawing #	Wilson Part #	AMADA Drawing #	Description
1-9	WXA0212-CBA	1662497	Clamp Base Assembly, 13mm Open Height
1-34	WXA0115-CA	1662495	Complete Clamp Assembly, 13mm Open Height
1	WXA0310-B	1662497	Clamp Base
2	WXA0411-CL	1662498	Clamper
3	WXA0501-CP	1662499	Clamp Plate
4	WXA0605-SP	N/A	Stopper Plate
5	WXA0794	M5 x 6	Screw - M5x6 - 10 pcs- (Clamper Tip)
7	WXA0831	M5 x 12	Screw - M5x12- 10 pcs- (Clamp Plate)
8	WXA0832	M4 x 10	Screw - M4x10- 10 pcs- (Stopper Plate)
9	WXA0835	M8 x 8	Set Screw - M8x8
10	WXA4155	KQL06-02S	Elbow
11	WXA4123	KQH06-02S	Connector
12	WXA0887	N/A	Shoulder Bolt
13	WXA0891	N/A	Spring
14	WXA0874A	N/A	Clamp Body - Piston Side
15	WXA0879	N/A	Clamp Body - Dove Tail Side
16	WXA0881	N/A	Dove Tail Plate
17	WXA0882	N/A	Pin
18	WXA0862	N/A	Linear Bearing
19	WXA0622	N/A	Piston
20	WXA0875	N/A	Bolt
21	WXA0895	N/A	Bolt
22	WXA0876	N/A	Coil Tubing
23	WXA0898	N/A	Rod
24	WXA0831B	N/A	Set Screw M6X8
25	WXA0877	N/A	Spring
26	WXA0888	N/A	Spring
27	WXA0839	N/A	Bolt
28	WXA0966	N/A	Pin
29	WXA0889	N/A	Set Screw - M6X6 - 10 pcs
30	WXA0846A	N/A	Spring
31	WXA0871	6WPH200-1	Head
32	WXA0890	N/A	Bolt - 10pcs
33	WXA0812	KR12 x 20	Clamp Lever (Steel) 12mm
34	WXA9237	N/A	Washer - 10pcs
35	WXA0855A	8635270D	Sheet Sensor (for Auto Loader)
36	WXA9220	P-12	O-Ring
37	WXA0878	74335901	Cylinder Cap
38	WXA0839q	N/A	M6 x 16 Cap Head Screw (pkg 10)
39	WXA0825	N/A	M4 x 6 Cone Point Set Screw (pkg 10)
40/45	WXA0860A	813129	Dove Tail System (Guide Plate)
N/A	WXA0803	20SM	Coupler-Female
N/A	WXA0804	20PF (1/4")	Coupler-Male
N/A	WXA0811	KR10 x 20	Clamp Lever 10mm
N/A	WXA0840	N/A	Shims .010"- 10 pcs
N/A	WXA0841	N/A	Shims .003"- 10 pcs
N/A	WXA0842	N/A	Shims .005"- 10 pcs

EM STYLE PNEUMATIC WXA0100-CA



CLAMP BASE ASSEMBLY
 Length 206mm
 Width 80mm
 Height 14mm

- Manufactured to original **OEM** standards
- All sheet metal contact areas are heat treated
- All clamp parts **GUARANTEED**

Wilson Drawing #	Wilson Part #	AMADA Drawing #	Description
1-9	WXA0200-CBA	74335908	Clamp Base Assembly
1-40	WXA0100-CA **	74415064	Complete Clamp Assembly
1	WXA0300-B	826270	Clamp Base
2	WXA0400-CL	826270	Clamper
3	WXA0500-CP	826272	Clamp Plate
4	WXA0601-SP	816026	Clamp Plate



Local
 Tel: 651-286-6001
 Fax: 651-286-5959

Toll Free U.S.A. & Canada
 Tel: 800-328-9646
 Fax: 800-222-0002

Toll Free Mexico
 Tel: 001-800-741-2510
 Fax: 001-800-544-2096

Website & Email
www.wilsontool.com
punching@wilsontool.com

EM STYLE PNEUMATIC WXA0100-CA

Wilson Drawing #	Wilson Part #	AMADA Drawing #	Description
5	WXA0794	M6X60	Straight Pin
6	WXA0892	M5x6	Set Screw - 10 pcs - M5x6 (Clamper Tip)
7	WXA0821	M6x12	Screw - 10pcs - M6x12 (Clamp Plate)
8	WXA0832	M4x10	Screw - 10 pcs - M4x10 (Stopper Plate)
9	WXA0835	M 8 x8	Set Screw Cup - M8x8
10	WXA4155	Male Elbow	Male Elbow 6mm
11	WXA4123	Male Connector	Male Connector 6mm
12	WXA0877	N/A	Shoulder Bolt M6
13	WXA0882	M5x30	M5 Dowel Pin
14	WXA0874	74335816	Clamp Body - Piston Side New Style Pneu
15	WXA0879	74335806	Clamp Body - Dove Tail Side New Style
16	WXA0881	N/A	Dove Tail Plate
17	WXA0819	P332000006	M10x1.5 Jam Nut
18	WXA0862	N/A	Linear Bearing ST16B
19	WXA0620	8261848	Clamp Position Pneumatic
20	WXA0875	N/A	Dove Tail Bolts
21	WXA0895	M8x25	Socket Head Cap Bolt M8x25
22	WXA0876	N/A	6mm Coil Tubing
23	WXA0898	N/A	Steel Rod 16mm x 120mm
24	WXA0820	M10x25	Half Dog Set Screw M10x25
25	WXA0877	5033653	Clamp Spring
26	WXA0888	N/A	Spring 1-1/4"
27	WXA0884	M6x110	Socket Head Cap Bolt M6x110
28	WXA0966	M10x24	Dowel Pin M10x24
29	WXA0825	M4x6	M4x6 Cone Point Set Screw
30	WXA0846	74161330	Cylinder Spring
31	WXA0816	3909552	Override Block
32	WXA0894	M4x10	Socket Head Cap bolt M4x10
33	WXA0812	KR12x20	Clamp Lever, 12mm
34	WXA9234	P50a	O-Ring P50a
35	WXA0854	8635270D	EM Sheet Sensor Assy
36	WXA9220	P-12/P590000012	O-Ring P12
37	WXA0878	74335901	Cylinder Cap
38	WXA0849	M6x12	Socket Head Cap Head Bolt M6x12
39	WXA0889	M6x6	Set Screws M6x6 (pkg. 10)
40	WXA0817	6873680	Cable Bracket
41	WXA0818	6826888	EM Sensor Bracket
42	WXA0814	6826267	Dog EM Handle
43	WXA0822	M6x10	M6x10 Button Head Screw
44	WXA0807	M3x14	M3x14 Cap Head Screw
45	WXA6505	FL2R-4J6HD	Prox. Switch
46	WXA0863	74569255	Sheet Sensor Plug, Male
47	WXA0864	74569254	Sheet Sensor Plug, Female
N/A	WXA0811	KR10x20	Clamp Lever (steel) 10MM
N/A	WXA0840	N/A	Shims .010 - (10pcs)
N/A	WXA0841	N/A	Shims .003 - (10pcs)
N/A	WXA0842	N/A	Shims .005 - (10pcs)

* Not available for OEM assembly, **excluding #35

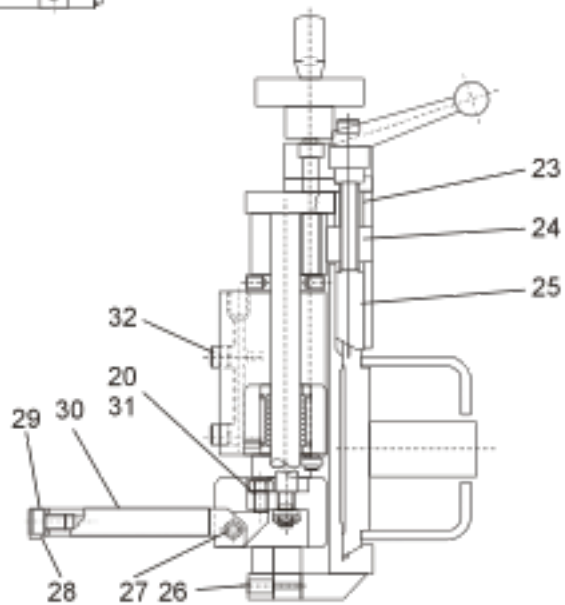
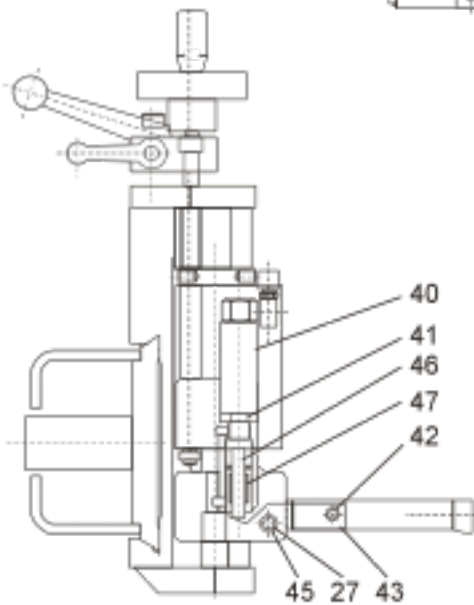
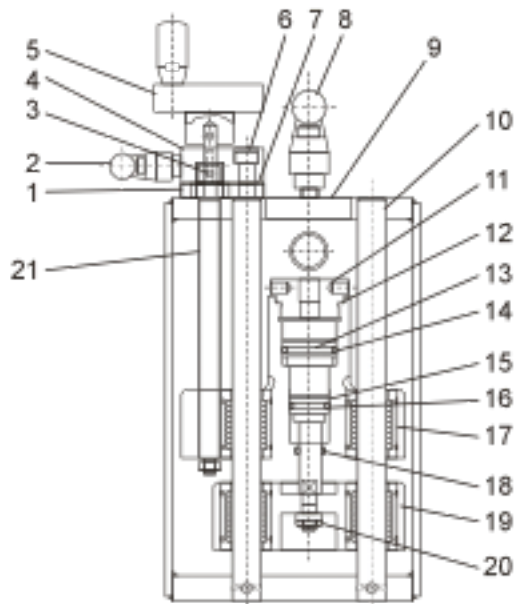
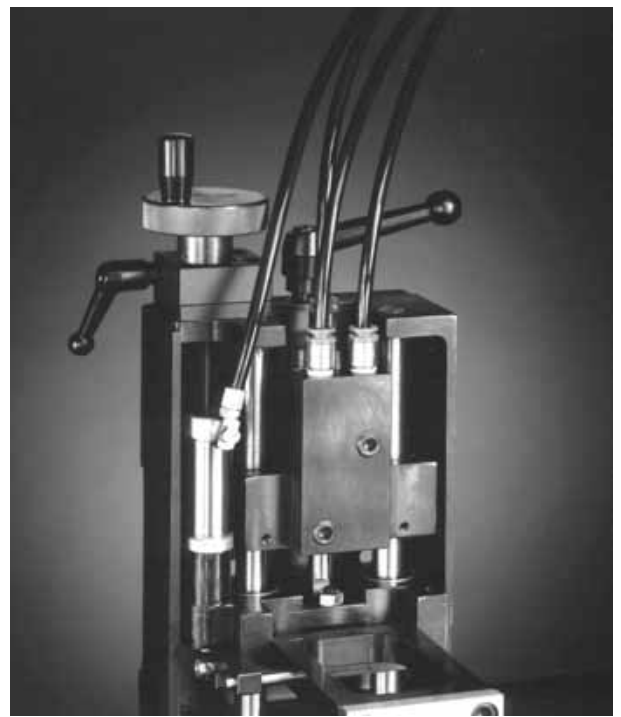
TURRET PARTS

Wilson Drawing #	Wilson Part #	AMADA Drawing #	Description
N/A	WXA3094	N/A	Air Blow System
N/A	WXA3095	6010962	Octo Punch Holder: Auto Index, core exchange required
N/A	WXA30951	6010141A	Octo Punch Holder (core exchange required)
1	WXA3117	827263	Guide Key 1/2" , 1 1/4" Inner
2	WXA3118	5501007	Guide Key 1/2" , 1 1/4" Outer
3	WXA3119	5501050A	Guide Key 2"
4	WXA3120	5501010	Guide Key 3 1/2"
5	WXA3121	5501016A	Guide Key 4 1/2"
6	WXA3122	822420	Guide Key Auto Index
7	WXA3123	5500075	Guide Key Thin Turret - 3 1/2"
8	WXA3141	488034C	Die Key Thick Turret
9	WXA3142	5500125	Die Key Thin Turret
10	WXA3116	5033504a	Guide Key 1/2" , 1 1/4" Octo
11	WXA3124	6532925	Guide Key Auto Index 4 1/2" Vipros
12	WXA3125	828354	Guide Key 1/2" Vipros
13	WXA3127	74165195	Guide Key 2" Vipros 255
14	WXA3128	74569848	Guide Key 1/2-1 1/4 EM 30 Series
15	WXA3129	74569852	Guide Key 3 1/2 EM 30 Series
16	WXA3130	75669850	Guide Key 2 EM 30 Series
17	WXA3131	74312337	Guide Key Lg. Station AI EM
18	WXA3132	74312340	Die Key EM 30 Series
19	WXA3133	74561406	Guide Key 4 1/2 EM 30 Series
20	WXA3134	74569849	Guide Key 1/2-1 1/4 Viprus III
21	WXA3115	817218	Guide Key 1/2 - 1 1/4 V255 / P 244
22	WXA3126	74399119	Die Key 4 1/2 Auto Index
23	WXA3346	807121	Shoulder Bolt Thin 1/2" , 1 1/4" , 2"
24	WXA3380	5501009	Lifter Ring
25	WXA3381	5500217	Lifter Ring
26	WXA3382	807122	Lifter Ring Thin
27	WXA3345	5501017C/807123	Shoulder Bolt Thick 1/2" , 1 1/4" , 2" , 3 1/2" , 4 1/2"
28	WXA3261	827241	Lifter Spring 1/2" , 1 1/4" , 2"
29	WXA3262	827240	Lifter Spring 3 1/2" , 4 1/2"
30	WXA3424	5500069	Thin Turret Guide Bushing 0, 135, 225, 270
31	WXA3425	5500068	Thin Turret Guide Bushing 45, 90, 180, 315
32	WXA3421	5500067	Thin Turret Guide Bushing 0, 90, 180, 270
33	WXA3422	807045	Thin Turret Guide Bushing 0
34	WXA3423	5500079	Thin Turret Guide Bushing 60, 90, 180, 300
N/A	WXA0815	M16 X 50	Tool Assembly Jig Lever
N/A	WXA0827	N/A	Screw M6 x M16-10Pcs
N/A	WXA3144	5500125B	Die Key Thin Turret Octo
N/A	WXA3143	5033911C	Die Key: Octo
N/A	WXA3263	6571551a	Lifter Spring 3 1/2" Vipros Auto Index
N/A	WXA3512	827106	Die Holder & Spacer 1/2"
N/A	WXA3514a	827471	Die Holder Upper, Lower & Block 1 1/4"-Center: 90 degree
N/A	WXA3514b	827094	Die Holder Upper, Lower & Block 1 1/4"-Left: 90 degree
N/A	WXA3514c	827091	Die Holder Upper, Lower & Block 1 1/4"-Right: 90 degree

TURRET PARTS

Wilson Drawing #	Wilson Part #	AMADA Drawing #	Description
N/A	WXA3515a	827108	Die Holder & Spacer 1 1/4"-Center (old style outer keyed only)
N/A	WXA3516a	827156	Die Holder & Spacer 1 1/4"-Left (old style outer keyed only)
N/A	WXA3517a	827155	Die Holder & Spacer 1 1/4"-Right(old style outer keyed only)
N/A	WXA3518a	802245a	Die Holder Auto Index: 1 1/4"
N/A	WXA3521	827114	Die Holder & Spacer 2"
N/A	WXA3522	827407	Die Holder & Spacer 2"
N/A	WXA3524	827162	Die Holder & Spacer 3 1/2"
N/A	WXA3527	827123	Die Holder & Spacer 4 1/2"
N/A	WXA3560	827107	Die Spacer 1/2"
N/A	WXA3561	827158	Die Spacer 1 1/4"-Left
N/A	WXA3561a	827157	Die Spacer 1 1/4"-Right
N/A	WXA3561b	827111	Die Spacer 1 1/4"-Center
N/A	WXA3562	827115F	Die Spacer 2"
N/A	WXA3563	827163	Die Spacer 3 1/2"
N/A	WXA3564	827125	Die Spacer 4 1/2"
N/A	WXA3581a	827471a	Die Holder 1 1/4"90 Degree Upper-Center
N/A	WXA3581b	827472a	Die Holder 1 1/4"90 Degree Lower-Center
N/A	WXA3581c	827473a	Die Holder 1 1/4"90 Degree Block-Center
N/A	WXA3581d	N/A	Die Holder 1 1/4" Left
N/A	WXA3581e	N/A	Die Holder 1 1/4" Right
N/A	WXA3581f	827094a	Die Holder 1 1/4"90 Degree Upper-Left
N/A	WXA3581g	827095a	Die Holder 1 1/4"90 Degree Lower-Left
N/A	WXA3581h	827096	Die Holder 1 1/4"90 Degree Block-Left
N/A	WXA3581i	827091a	Die Holder 1 1/4"90 Degree Upper-Right
N/A	WXA3581j	827092a	Die Holder 1 1/4"90 Degree Lower-Right
N/A	WXA3581k	827093	Die Holder 1 1/4"90 Degree Block-Right
N/A	WXA3539	M6	Spring Washer
N/A	WXA3540	D8 X 20	Dowel Pin
N/A	WXA0966	D10 X 24	Dowel Pin
N/A	WXA3541	M6 X 14	Set Screw(Pkg of 10)
N/A	WXA3542	M8	Spring Washer
N/A	WXA0837	M6 X 20	Cap Screw(Pkg of 10)
N/A	WXA0834a	M6 X 25	Cap Screw(Pkg of 10)
N/A	WXA3544	C-3S	Free Stroke Bearing
N/A	WXA3545	827018	Spring Clip
N/A	WXA3546	M4 X 8	Pan Head Machine Screw(Pkg of 10)
N/A	WXA3547	M4	Washer(Pkg of 10)
N/A	WXA3548	M8	Washer(Pkg of 10)
N/A	WXA3549	M10	Cap Screw(Pkg of 10)
N/A	WXA0830	M5 X 6	Set Screw(Pkg of 10)
N/A	WXA3550	AW24	Washer
N/A	WXA3551	AN24	Crown Nut
N/A	WXA3582	N/A	Die Holder 2"
N/A	WXA3582a	N/A	Die Holder 2" - Next to AI
N/A	WXA3583	N/A	Die Holder 3 1/2"
N/A	WXA3584	N/A	Die Holder 4 1/2"
N/A	WXA3580	N/A	Die Holder 1/2"
N/A	WXA3581	N/A	Die Holder 1 1/4" Center (old style)

PRESS BRAKE PARTS WORK STOPPER ASSEMBLIES



WORK STOPPER ASSEMBLIES

This will work with NC9EX1 & NC9EX controllers. These controllers are common on Amada RG & FBD press brakes.

Wilson Drawing #	Wilson Part #	AMADA Drawing #	Description
1-47	WXA8845A	4128816d	Work Stopper Assembly-Flip up
N/A	WXA8820A	3003502	Remote Foot Pedal
1	WXA8846yy	NB-6	Feedscrew-Bearing
2	WXA0809	KR X 20	Clamp Lever 6MM
3	WXA8846zz1	4128801a	Collar
4	WXA8846gg	4128798a	Bearing Retainer
5	WXA8835A	4128802	Handwheel With Handle
6	WXA0834a	M6 X 25	Screw-Socket Cap M6 X 25 Pkg of 10
7	WXA8846ff	4128799	Bearing Case
8	WXA0810	KR X 40	Clamp Lever 8MM
9	WXA8846aa	4128797d	Body
10	WXA8846hh	7950004	Guide Rod
11	WXA8846mm	4128809	Cap
12	WXA9228a	S-28	O-Ring S-28
13	WXA8846nn	4128808a	Piston
14	WXA9226	1BP-21	O-Ring P-21
15	WXA8846oo	4128807c	Piston
16	WXA9221	1BP-14	O-Ring P-14
17	WXA8846pp	LM13UU	Linear Bearing
18	WXA9209	1BP-10	O-Ring P-10
19	WXA8846bb	4128810c	Holder
20	WXA8846xx	M6 Type 3	Hex Nut
21	WXA8841	4128800a	Feedscrew
23	WXA8846ll	4128805	Collar
24	WXA8846kk	4128803	Lock Nut
25	WXA8846jj	4128804a	Lock Bar
26	WXA0831c	M6 X 10	Screw M6 X 10 Pkg of 10
27	WXA8846ii	4129243	Hinge Pin
28	WXA8827	4128812	Finger Stop Pad
29	WXA0839c	M6 X 10	Screw-Socket Cap M6 x 10 Pkg of 10
30	WXA8846dd	4128811b	Main Flip Arm
31	WXA0831d	M6 X 16	Screw M6 X 16 Pkg of 10
32	WXA8846www	1/8"	Plug
40	WXA4087	7950002a	Cylinder-Flip Up Actuator
42	WXA8846rr	6 X 36	Dowel Pin
43	WXA8846ee	4128819b	Flip up Lever
45	WXA8846ss	STW-8	Snap Ring 8M
46	WXA8846qq	LM6UU	Feed Screw Bearing
47	WXA8846zz	4128818	Feedscrew-Linear Bearing Shaft
N/A	WXA8846cc	4128806a	Cylinder
N/A	WXA8846vv	N/A	Male Connector
N/A	WXA8846tt	STW-6	Snap Ring 6M
N/A	WXA0831b	M6 X 8	Screw M6 X 8 Pkg of 10
N/A	WXA0831e	M4 X 6	Screw M4 X .7 x 6 Pkg of 10
N/A	WXA3583	N/A	Die Holder 3 1/2"
N/A	WXA3584	N/A	Die Holder 4 1/2"
N/A	WXA3580	N/A	Die Holder 1/2"
N/A	WXA3581	N/A	Die Holder 1 1/4" Center (old style)

Local
Tel: 651-286-6001
Fax: 651-286-5959

Toll Free U.S.A. & Canada
Tel: 800-328-9646
Fax: 800-222-0002

Toll Free Mexico
Tel: 001-800-741-2510
Fax: 001-800-544-2096

Website & Email
www.wilsontool.com
punching@wilsontool.com



TERMS OF SALE

ORDER

Minimum order is \$50.00.

CREDIT REQUIREMENTS

All orders are subject to approval by our Credit Department. If you are a new account, please furnish us with your tax exempt status, a bank reference, three current supplier references and/or your current D&B rating with your first order. A credit limit will be imposed on new accounts until credit has been established.

PAYMENT TERMS

Terms are net 10 days. Catalog prices are subject to change without notice.

FREIGHT

Orders are shipped F.O.B. from our manufacturing facility. (International Shipments are Incoterms: Ex Works).

ORDER CANCELLATION

In the event an order is cancelled, an additional charge will be assessed to cover the cost of labor and material.

RETURNED MATERIAL

A handling/restocking fee will be applied to all standard products returned for credit. A return authorization number and shipping instructions must be obtained in advance before an item can be returned.

CLAIMS

All claims or product shortages must be made within 30 days of the invoice date.



Local
Tel: 651-286-6001
Fax: 651-286-5959

Toll Free U.S.A. & Canada
Tel: 800-328-9646
Fax: 800-222-0002

Toll Free Mexico
Tel: 001-800-741-2510
Fax: 001-800-544-2096

Website & Email
www.wilsontool.com
punching@wilsontool.com

PRECISION TOOLING. UNBEATABLE PERFORMANCE.

For more than 40 years, Wilson Tool International® has provided industry-leading tooling solutions that enhance the performance of sheet metal fabricators and stampers worldwide.

The three divisions of Wilson Tool – Punching, Press Brake, and Stamping – represent the most comprehensive line of tooling systems and accessories available. Our ability to consistently provide innovative, high quality products that outlast and outperform the competition is why the world's most successful fabricators rely upon Wilson Tool tooling systems.

A knowledgeable global sales force, multilingual customer support staff, same-day shipping and extensive distribution network are just a few of the benefits that keep our customers coming back time and again.



Punching Division
12909 Farnham Avenue • White Bear Lake, MN 55110

Tel (Free): 800-328-9646
Fax (Free): 800-222-0002
Email: punching@wilsontool.com
www.wilsontool.com

A500C
5/10

WILSON TOOL INTERNATIONAL

Wilson Tool International, Inc. United States

Tel (Free): 800.328.9646
Tel: 651.286.6001
Fax (Free): 800.222.0002
Fax: 651.286.5959
Email: marketing@wilsontool.com

Wilson Tool International, Ltd. United Kingdom

Tel (Free): 0800-373748
Tel: +44 1793 831818
Fax (Free): 0800-373758
Fax: +44 1793 831945 or 46
Email: sales@wilsontool.eu.com

Wilson Tool International China

Tel: +86 21 51089638
Fax: +86 21 64422195
Email: sales@wilsontool.cn

Wilson Tool International Germany

Tel (Free): 00800-9457668665
Tel: +49 5723 747 0
Fax (Free): 00800-945766329
Fax: +49 5723 747 10
Email: verkauf@wilsontool.eu.com

Wilson Tool International A/S Denmark

Tel (Free): 80 20 20 24
Tel: +45 44 53 1699
Fax (Free): 80 20 20 26
Fax: +45 44 53 0607
Email: sales@wilsontool.dk

Wilson Tool International France

Tel: +33 (0) 164 13 47 80
Fax: +33 (0) 164 13 47 81
Email: ventes@wilsontool.eu.com

Wilson Tool International Argentina

Tel: +54 114 7634004
Fax: +54 114 5084190
Email: ventasargentina@wilsontool.com