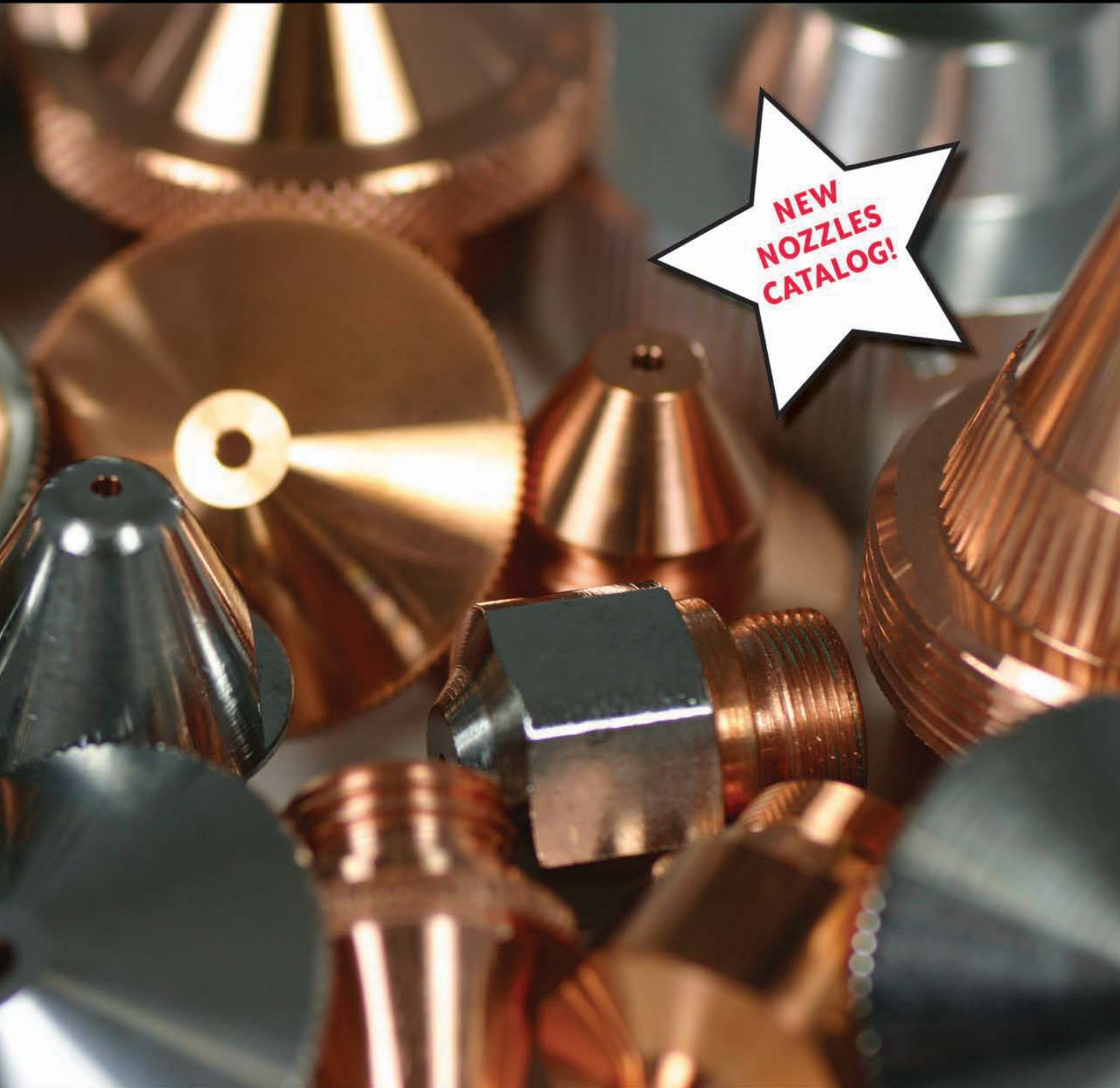




INFRARED

...the world leader in CO₂ laser optics

CO₂ LASER NOZZLES AND ACCESSORIES



**NEW
NOZZLES
CATALOG!**

FOR ALL MAJOR OEM LASER MODELS

888-558-1504 (toll-free) • 724-352-1504 (phone) • 724-352-4980 (fax) • www.iivinfrared.com



AMADA	1
BEHRENS	8
BYSTRONIC	9
CINCINNATI	16
FINN POWER	17
GHT	20
HAAS	22
HACO	23
LASER LAB	24
LVD	25
MAZAK	27
MESSER GRIESHEIM	41
MITSUBISHI	42
MURATA WIEDEMANN	45
NTC - BEYELER	46
PRECITEC	47
PRIMA INDUSTRIE	59
RASKIN	62
ROUCHAUD	63
SALVAGNINI	64
STRIPPIT	66
TRUMPF	67
VALFIVRE	79



HOW TO ORDER

If you are unsure of what nozzles you need contact our trained staff for assistance.

Customers in the USA and Canada can call toll-free: 888.558.1504.

Customers outside of the USA and Canada can call: 724.352.1504.

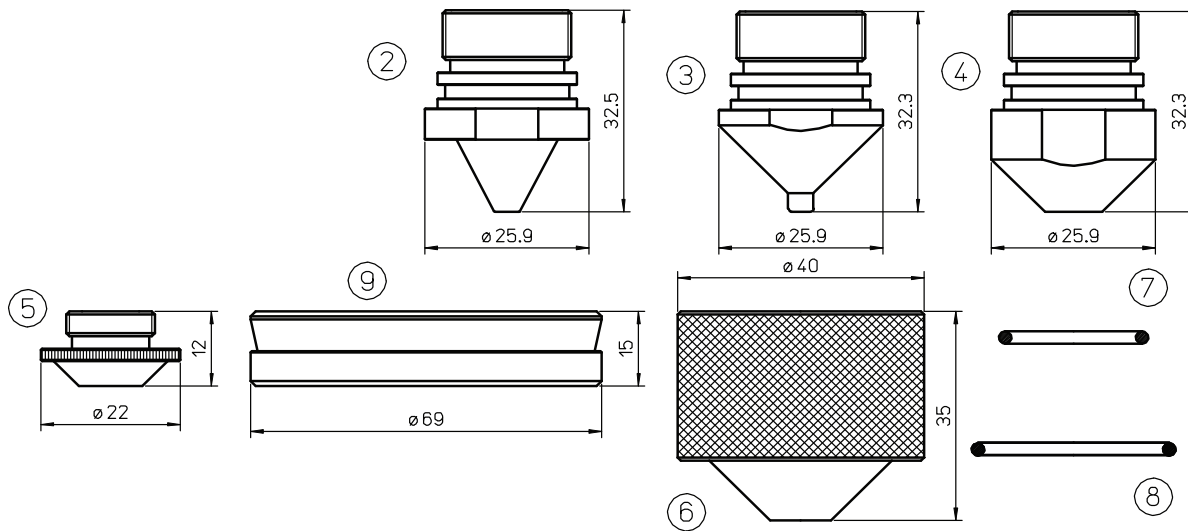
Customers in Europe and Asia can also contact a II-VI Subsidiary Office (see back cover for details).

*Contact a II-VI sales representative for 10-pack availability by specific part number.

Catalog revised December 2006 and copyrighted by II-VI Incorporated.

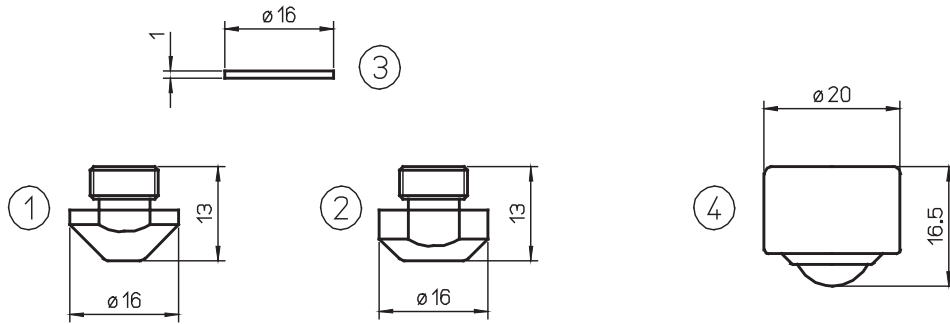
All original equipment manufacturer's names, drawings, colors, trademarks and part numbers are used for identification purposes only, and we are in no way implying that any of our products are original equipment parts. All parts advertised for sale in this catalog are made for and/or by II-VI Incorporated.

REPLACEMENT CO₂ LASER NOZZLES & ACCESSORIES



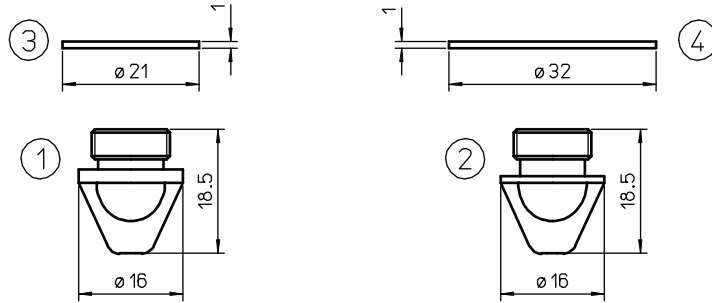
POS	II-VI p/n	OEM p/n	DESCRIPTION
2	L81X	6506892	AMADA® NOZZLE Ø 1.3 CP
	L92X	6506892	AMADA® NOZZLE Ø 1.5 CP
	L93X	6506892	AMADA® NOZZLE Ø 1.8 CP
	L39X	74712001-6506892	AMADA® NOZZLE Ø 2.0 CP
3	L63X	71101901	AMADA® NOZZLE Ø 1.3 CP
	L91X	71101902	AMADA® NOZZLE Ø 1.5 CP
	L75X	71101901	AMADA® NOZZLE Ø 1.8 CP
	L29X	71101901-845735	AMADA® NOZZLE Ø 2.0 CP
	L809X		AMADA® NOZZLE Ø 2.5 CP
	L808X	71101901	AMADA® NOZZLE Ø 3.0 CP
4	L297X		AMADA® NOZZLE Ø 1.3 CP
	L298X	62094001-71102001	AMADA® NOZZLE Ø 1.5 CP
	L299X	62094001-71102001	AMADA® NOZZLE Ø 1.8 CP
	L300X	62094001-71102001	AMADA® NOZZLE Ø 2.0 CP
	L301X	62094002-71102005	AMADA® NOZZLE Ø 3.0 CP
	5	L85X	
L94X			AMADA® NOZZLE Ø 1.25 CP
L95X			AMADA® NOZZLE Ø 1.5 CP
L96X			AMADA® NOZZLE Ø 1.75 CP
L38X		74718816-8249301	AMADA® NOZZLE Ø 2.0 CP
6		L30X	71101905-841143B
7	AL90	S-20	AMADA® O-RING FOR NOZZLE S-20 - 10 PCS
8	AL96	1AS-34	AMADA® O-RING FOR NOZZLE OUTER
9	AL32		AMADA® DRAIN DISK WITH HOLE
	AL33		AMADA® DRAIN DISK W/CONICAL HOLE

All original equipment manufacturer's names, drawings, colors, trademarks and part numbers are used for identification purposes only, and we are in no way implying that any of our products are original equipment parts. All parts advertised for sale in this catalog are made for and/or by II-VI Incorporated.



POS	II-VI p/n	OEM p/n	DESCRIPTION
1	L171X	62094006	AMADA® NOZZLE Ø 1.0 CP
	L172X	62094006	AMADA® NOZZLE Ø 1.25 CP
	L173X	62094006-1507610	AMADA® NOZZLE Ø 1.5 CP
	L174X	62094006	AMADA® NOZZLE Ø 1.75 CP
	L27X	62094006-1507611	AMADA® NOZZLE Ø 2.0 CP
	L175X	62094006	AMADA® NOZZLE Ø 2.5 CP
	L28X	62094008-71102007	AMADA® NOZZLE Ø 3.0 CP
	2	L750X	62094005
L751X		62094005	AMADA® NOZZLE Ø 1.25 CP
L752X		62094005-71341515	AMADA® NOZZLE Ø 1.5 CP
L753X		62094005-71341515-1,7	AMADA® NOZZLE Ø 1.75 CP
L754X		62094005-71102006	AMADA® NOZZLE Ø 2.0 CP
L755X		62094005	AMADA® NOZZLE Ø 2.5 CP
L756X		62094005-71341515-3,0	AMADA® NOZZLE Ø 3.0 CP
3		AL107	62094006-ring
4	AL31		AMADA® WORKHOLDER Ø 20

REPLACEMENT CO₂ LASER NOZZLES & ACCESSORIES

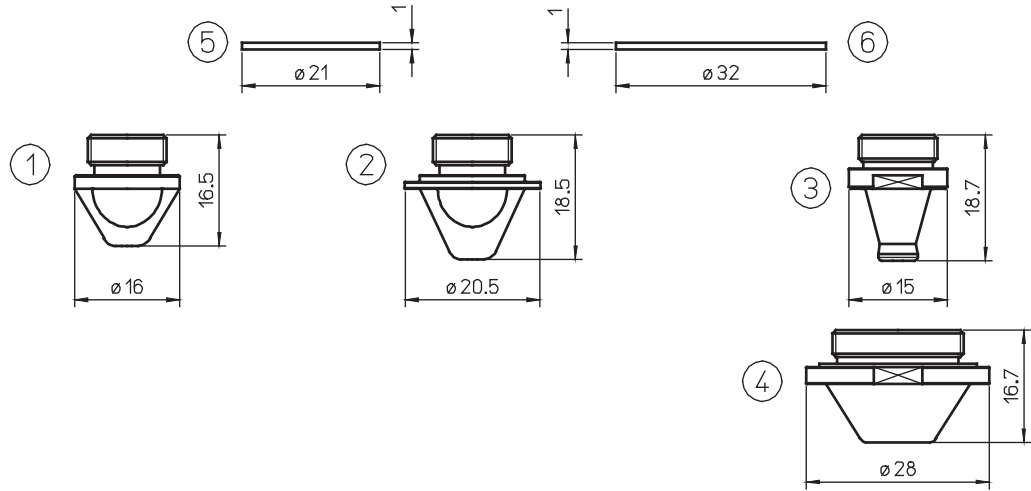


POS	II-VI p/n	OEM p/n	DESCRIPTION
1	L134X	1664545U	AMADA® NOZZLE Ø 1.0 CP
	L135X	1664545U	AMADA® NOZZLE Ø 1.25 CP
	L86X	1664545U	AMADA® NOZZLE Ø 1.5 CP
	L136X	1664545U	AMADA® NOZZLE Ø 1.75 CP
	L137X	1664545U-71341610	AMADA® NOZZLE Ø 2.0 CP
	L203X	1664545U	AMADA® NOZZLE Ø 2.5 CP
	L138X	1664545U-71360142	AMADA® NOZZLE Ø 3.0 CP
	L339X		AMADA® NOZZLE Ø 4.0 CP
	L763X		AMADA® NOZZLE Ø 5.0 CP
2	L192X		AMADA® NOZZLE Ø 1.0 CP
	L193X		AMADA® NOZZLE Ø 1.25 CP
	L194X		AMADA® NOZZLE Ø 1.5 CP
	L195X		AMADA® NOZZLE Ø 1.75 CP
	L196X		AMADA® NOZZLE Ø 2.0 CP
	L197X		AMADA® NOZZLE Ø 2.5 CP
	L198X		AMADA® NOZZLE Ø 3.0 CP
	3	AL1005	71341614
AL122		71341614	AMADA® DISC HEAD PROTECTION Ø 21 VESPEL
AL123		71341614	AMADA® CERAMIC DISC HEAD PROTECTION Ø21
4	AL42		AMADA® DISK HEAD PROTECTION Ø 32 PLASTIC

AMADA

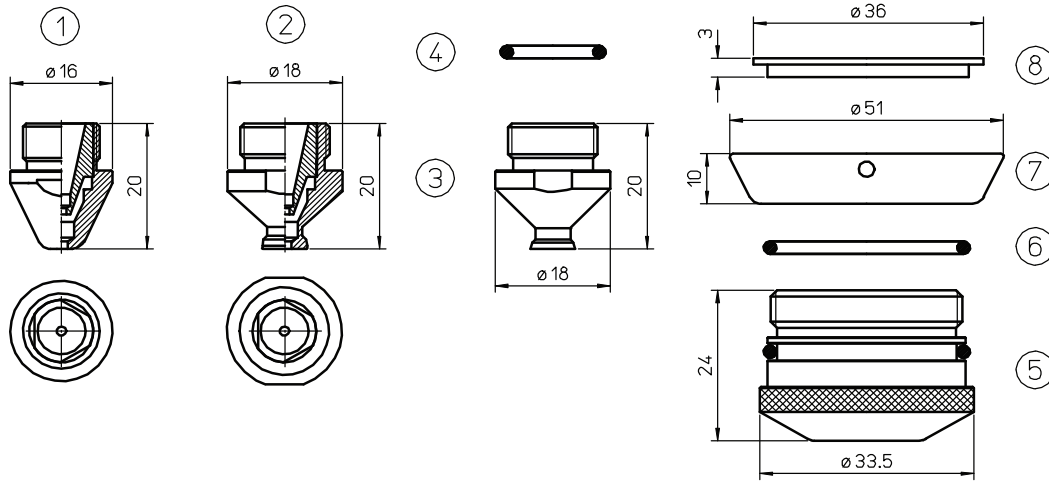
All original equipment manufacturer's names, drawings, colors, trademarks and part numbers are used for identification purposes only, and we are in no way implying that any of our products are original equipment parts. All parts advertised for sale in this catalog are made for and/or by II-VI Incorporated.

3



POS	II-VI p/n	OEM p/n	DESCRIPTION
1	L338X		AMADA® NOZZLE Ø 3.0 CP - SHORT
2	L1066X		AMADA® NOZZLE Ø 2.0 LARGE FLANGE
	L1068X		AMADA® NOZZLE Ø 3.0 LARGE FLANGE
3	L926X		AMADA® NOZZLE HP-X Ø 0.8 CP
	L927X		AMADA® NOZZLE HP-X Ø 1.0 CP
	L928X		AMADA® NOZZLE HP-X Ø 1.2 CP
	L929X		AMADA® NOZZLE HP-X Ø 1.5 CP
	L930X		AMADA® NOZZLE HP-X Ø 2.0 CP
	L931X		AMADA® NOZZLE HP-X Ø 2.5 CP
	L932X		AMADA® NOZZLE HP-X Ø 3.0 CP
4	AL220X		AMADA® NOZZLE OUTER HP-X CP
5	AL1005	71341614	AMADA® DISC HEAD PROTECTION Ø 21 PLASTIC
	AL122	71341614	AMADA® DISC HEAD PROTECTION Ø 21 VESPEL
	AL123	71341614	AMADA® CERAMIC DISC HEAD PROTECTION Ø21
6	AL42		AMADA® DISK HEAD PROTECTION Ø 32 PLASTIC

REPLACEMENT CO₂ LASER NOZZLES & ACCESSORIES

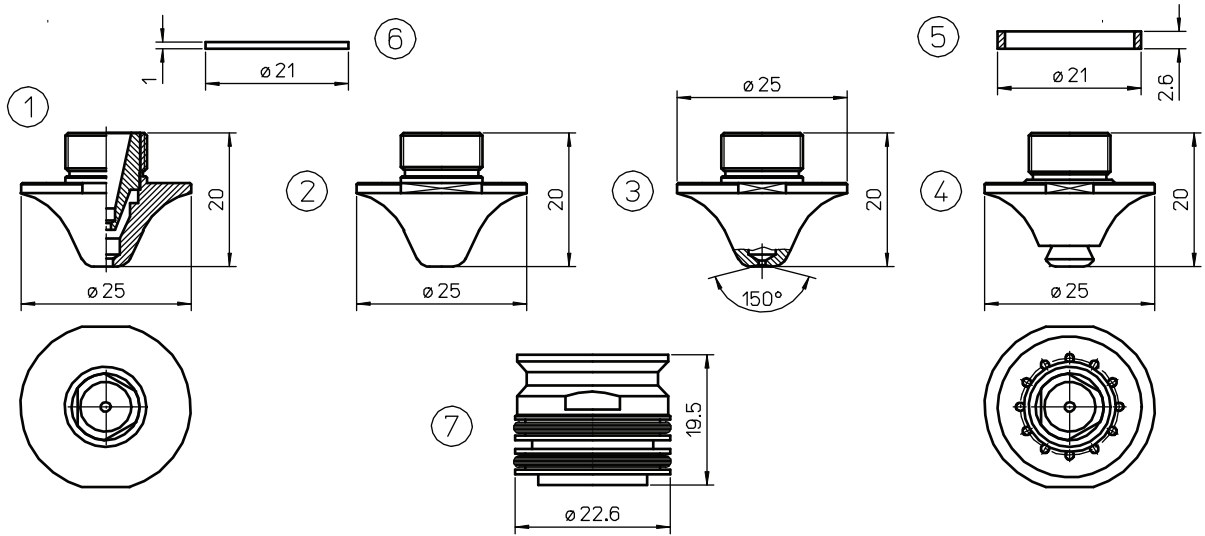


POS	II-VI p/n	OEM p/n	DESCRIPTION
1	L390X	1669864-7134162	AMADA® DOUBLE NOZZLE Ø 1.0 CP
	L392X	1669864-7134162	AMADA® DOUBLE NOZZLE Ø 1.2 CP
	L393X	1669864-7134162	AMADA® DOUBLE NOZZLE Ø 1.4 CP
	L391X	1669864-7134162	AMADA® DOUBLE NOZZLE Ø 1.5 CP
	L315X	1669864-7134162	AMADA® DOUBLE NOZZLE Ø 2.0 CP
	L316X	1669864-7134162	AMADA® DOUBLE NOZZLE Ø 2.5 CP
	L317X	1669864-7134163	AMADA® DOUBLE NOZZLE Ø 3.0 CP
	L768X	1669864-7134162	AMADA® DOUBLE NOZZLE Ø 3.5 CP
	L319X	1669864-7134162	AMADA® DOUBLE NOZZLE Ø 3.8 CP
	L318X	1669864-7134164	AMADA® DOUBLE NOZZLE Ø 4.0 CP

WATER COOLED

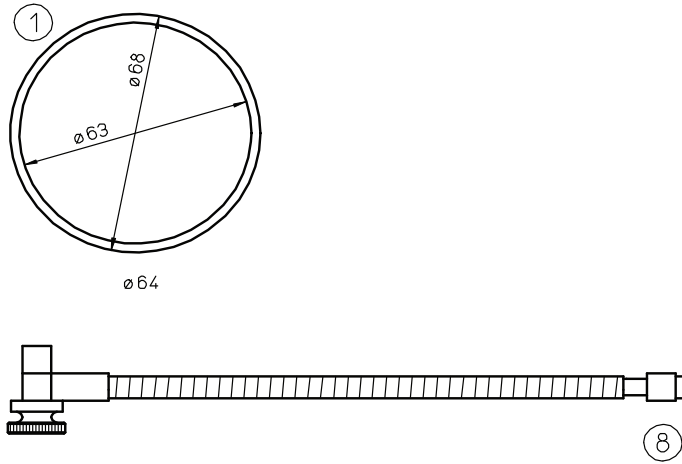
2	L387X	6551218-71341682	AMADA® DOUBLE NOZZLE Ø 1.0 CP
	L386X	6551218-71341682	AMADA® DOUBLE NOZZLE Ø 1.2 CP
	L389X	6551218-71341682	AMADA® DOUBLE NOZZLE Ø 1.4 CP
	L388X	6551218-71341682	AMADA® DOUBLE NOZZLE Ø 1.5 CP
	L320X	6551218-71341682	AMADA® DOUBLE NOZZLE Ø 2.0 CP
	L321X	6551218-71341682	AMADA® DOUBLE NOZZLE Ø 2.5 CP
	L322X	6551218-71341682	AMADA® DOUBLE NOZZLE Ø 3.0 CP
	L323X	6551218-71341682	AMADA® DOUBLE NOZZLE Ø 3.8 CP
	L330X	6551218-71341682	AMADA® DOUBLE NOZZLE Ø 4.0 CP
	3	L384X	71366090
L765X		71366090	AMADA® NOZZLE Ø 1.2 CP
L766X		71366090	AMADA® NOZZLE Ø 1.4 CP
L385X		71366090	AMADA® NOZZLE Ø 1.5 CP
L324X		71366090	AMADA® NOZZLE Ø 2.0 CP
L325X		71366090	AMADA® NOZZLE Ø 2.5 CP
L326X		71366090	AMADA® NOZZLE Ø 3.0 CP
L327X		71366090	AMADA® NOZZLE Ø 3.8 CP
L767X		71366090	AMADA® NOZZLE Ø 4.0 CP
4		AL93	S-14
5	AL115X	71366452	AMADA® NOZZLE OUTER CP
6	AL94	71366453	AMADA® O'RING FOR NOZZLE OUTER-10 PCS
7	AL180	71366438	AMADA® GUARD NUT
8	AL181	71366437	AMADA® GUARD RING

All original equipment manufacturer's names, drawings, colors, trademarks and part numbers are used for identification purposes only, and we are in no way implying that any of our products are original equipment parts. All parts advertised for sale in this catalog are made for and/or by II-VI Incorporated.



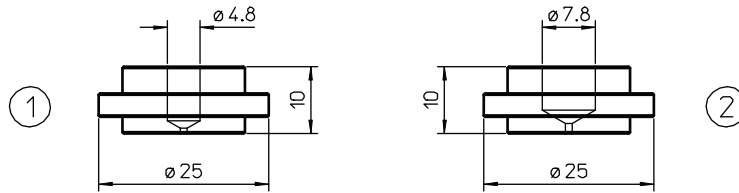
POS	II-VI p/n	OEM p/n	DESCRIPTION
1	L585X	1572361	AMADA® DOUBLE NOZZLE Ø 1.2 CP
	L586X	71369813 D1.4E	AMADA® DOUBLE NOZZLE Ø 1.4 CP
	L587X	1572361	AMADA® DOUBLE NOZZLE Ø 2.0 CP
	L584X	71501059	AMADA® DOUBLE NOZZLE Ø 2.5 CP
	L588X	1572361	AMADA® DOUBLE NOZZLE Ø 3.0 CP
	L589X	71501060	AMADA® DOUBLE NOZZLE Ø 4.0 CP
	L583X	1572361	AMADA® DOUBLE NOZZLE Ø 5.0 CP
	L569X		AMADA® DOUBLE NOZZLE Ø 6.0 CP
2	L590X	1572362	AMADA® NOZZLE Ø 0.8 CP
	L591X	1572362	AMADA® NOZZLE Ø 1.0 CP
	L592X	71369812	AMADA® NOZZLE Ø 1.2 CP
	L593X	1572362	AMADA® NOZZLE Ø 1.4 CP
	L594X	71501057	AMADA® NOZZLE Ø 2.0 CP
	L595X	71501058	AMADA® NOZZLE Ø 3.0 CP
	L596X	1572362	AMADA® NOZZLE Ø 4.0 CP
3	L1031X	71502038	AMADA® NOZZLE Ø 1.4 CP W/CONCAVE
	L1024X		AMADA® NOZZLE Ø 0.8 CP W/CONCAVE
	L1025X		AMADA® NOZZLE Ø 1.0 CP W/CONCAVE
	L1026X	71502037	AMADA® NOZZLE Ø 1.2 CP W/CONCAVE
4	L1045X	71502039 D2.5W	AMADA® DOUBLE NOZZLE Ø 2.5 CP WITH HOLES
	L1049X	71502040	AMADA® DOUBLE NOZZLE Ø 4.0 CP WITH HOLES
5	AL234		AMADA® TEFLON RING FOR WATER COOLED SYSTEM
6	AL1005	71341614	AMADA® DISC HEAD PROTECTION Ø 21 PLASTIC
	AL122	71341614	AMADA® DISC HEAD PROTECTION Ø 21 VESPEL
	AL123	71341614	AMADA® CERAMIC DISC HEAD PROTECTION Ø21
7	AL248	71502036	AMADA® NOZZLE ADAPTOR WITH HOLES

REPLACEMENT CO₂ LASER NOZZLES & ACCESSORIES



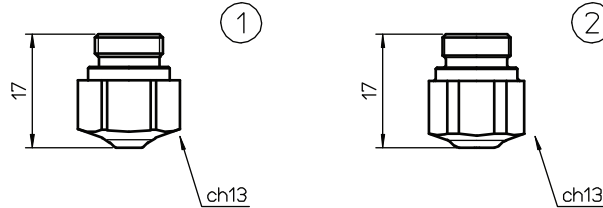
POS	II-VI p/n	OEM p/n	DESCRIPTION
1	AL56		AMADA® GASKET TEFLON FOR SENSOR HEAD
8	AL200	71232023	AMADA® CONNECTING CABLE HS 5
	AL220		AMADA® CONNECTING CABLE HS-15

All original equipment manufacturer's names, drawings, colors, trademarks and part numbers are used for identification purposes only, and we are in no way implying that any of our products are original equipment parts. All parts advertised for sale in this catalog are made for and/or by II-VI Incorporated.



POS	II-VI p/n	OEM p/n	DESCRIPTION
1	L50		BEHRENS® NOZZLE Ø 0.8
	L58		BEHRENS® NOZZLE Ø 1.0
	L59		BEHRENS® NOZZLE Ø 1.2
	L97		BEHRENS® NOZZLE Ø 1.5
	L231		BEHRENS® NOZZLE Ø 2.0
2	L242		BEHRENS® NOZZLE Ø 0.8
	L243		BEHRENS® NOZZLE Ø 1.0
	L244		BEHRENS® NOZZLE Ø 1.2
	L245		BEHRENS® NOZZLE Ø 1.5
	L246		BEHRENS® NOZZLE Ø 2.0

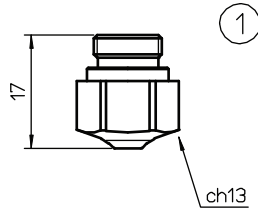
REPLACEMENT CO₂ LASER NOZZLES & ACCESSORIES



POS	II-VI p/n	OEM p/n	DESCRIPTION
1	L674	3-04277 HK08	BYSTRONIC® NOZZLE Ø 0.8 HD
	L72	3-01910 HK10	BYSTRONIC® NOZZLE Ø 1.0 HD
	L121	3-01911 HK12	BYSTRONIC® NOZZLE Ø 1.25 HD
	L73	3-01912 HK15	BYSTRONIC® NOZZLE Ø 1.5 HD
	L122	3-01913 HK17	BYSTRONIC® NOZZLE Ø 1.75 HD
	L72X	3-01910 HK10	BYSTRONIC® NOZZLE Ø 1.0 HD CP
	L121X	3-01911 HK12	BYSTRONIC® NOZZLE Ø 1.25 HD CP
	L73X	3-01912 HK15	BYSTRONIC® NOZZLE Ø 1.5 HD CP
	L122X	3-01913 HK17	BYSTRONIC® NOZZLE Ø 1.75 HD CP
2	L123	3-01914 HK20	BYSTRONIC® NOZZLE Ø 2.0 HD
	L140	3-03854 HK25	BYSTRONIC® NOZZLE Ø 2.5 HD
	L265	3-06112 HK30	BYSTRONIC® NOZZLE Ø 3.0 HD
	L123X	3-01914 HK20	BYSTRONIC® NOZZLE Ø 2.0 HD CP
	L140X	3-03854 HK25	BYSTRONIC® NOZZLE Ø 2.5 HD CP
	L265X	3-06112 HK30	BYSTRONIC® NOZZLE Ø 3.0 HD CP

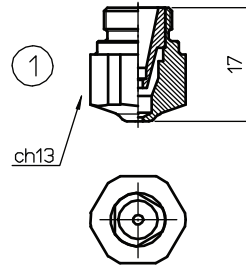
BYSTRONIC

All original equipment manufacturer's names, drawings, colors, trademarks and part numbers are used for identification purposes only, and we are in no way implying that any of our products are original equipment parts. All parts advertised for sale in this catalog are made for and/or by II-VI Incorporated.



POS	II-VI p/n	OEM p/n	DESCRIPTION
1	L83	3-04273 K08	BYSTRONIC® NOZZLE Ø 0.8
	L116	3-01905 K10	BYSTRONIC® NOZZLE Ø 1.0
	L117	3-01906 K12	BYSTRONIC® NOZZLE Ø 1.25
	L118	3-01907 K15	BYSTRONIC® NOZZLE Ø 1.5
	L119	3-01908 K17	BYSTRONIC® NOZZLE Ø 1.75
	L120	3-01909 K20	BYSTRONIC® NOZZLE Ø 2.0
	L675	3-04274 K25	BYSTRONIC® NOZZLE Ø 2.5
	L678	3-04275 K30	BYSTRONIC® NOZZLE Ø 3.0
	L83X	3-04273 K08	BYSTRONIC® NOZZLE Ø 0.8 CP
	L116X	3-01905 K10	BYSTRONIC® NOZZLE Ø 1.0 CP
	L117X	3-01906 K12	BYSTRONIC® NOZZLE Ø 1.25 CP
	L118X	3-01907 K15	BYSTRONIC® NOZZLE Ø 1.5 CP
	L119X	3-01908 K17	BYSTRONIC® NOZZLE Ø 1.75 CP
	L120X	3-01909 K20	BYSTRONIC® NOZZLE Ø 2.0 CP
	L675X	3-04274 K25	BYSTRONIC® NOZZLE Ø 2.5 CP

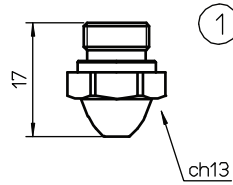
REPLACEMENT CO₂ LASER NOZZLES & ACCESSORIES



POS	II-VI p/n	OEM p/n	DESCRIPTION
1	L600	3-16058 NK10	BYSTRONIC® DOUBLE NOZZLE Ø 1.0
	L601	3-16059 NK12	BYSTRONIC® DOUBLE NOZZLE Ø 1.25
	L602	3-16060 NK15	BYSTRONIC® DOUBLE NOZZLE Ø 1.5
	L603	3-14317 NK17	BYSTRONIC® DOUBLE NOZZLE Ø 1.75
	L604	3-14318 NK20	BYSTRONIC® DOUBLE NOZZLE Ø 2.0
	L605	3-14319 NK25	BYSTRONIC® DOUBLE NOZZLE Ø 2.5
	L612	3-16256 NK25	BYSTRONIC® DOUBLE NOZZLE Ø 2.0 W/INNER Ø2.0
	L613	3-16061 NK30	BYSTRONIC® DOUBLE NOZZLE Ø 3.0 W/INNER Ø1.75
	L606	3-16257 NK30	BYSTRONIC® DOUBLE NOZZLE Ø 3.0
	L600X	3-16058 NK10	BYSTRONIC® DOUBLE NOZZLE Ø 1.0 CP
	L601X	3-16059 NK12	BYSTRONIC® DOUBLE NOZZLE Ø 1.25 CP
	L602X	3-16060 NK15	BYSTRONIC® DOUBLE NOZZLE Ø 1.5 CP
	L603X	3-14317 NK17	BYSTRONIC® DOUBLE NOZZLE Ø 1.75 CP
	L604X	3-14318 NK20	BYSTRONIC® DOUBLE NOZZLE Ø 2.0 CP
	L605X	3-14319 NK25	BYSTRONIC® DOUBLE NOZZLE Ø 2.5 CP
	L612X	3-16256 NK25	BYSTRONIC® DOUBLE NOZZLE Ø 2.5 W/INNER Ø2.0 CP
	L613X	3-16061 NK30	BYSTRONIC® DOUBLE NOZZLE Ø 3.0 W/INNER Ø1.75 CP
	L606X	3-16257 NK30	BYSTRONIC® DOUBLE NOZZLE Ø 3.0 CP

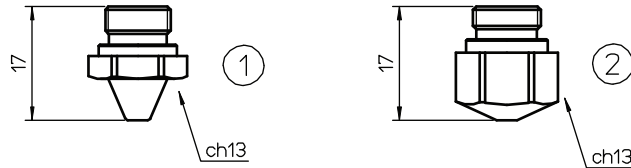
BYSTRONIC

All original equipment manufacturer's names, drawings, colors, trademarks and part numbers are used for identification purposes only, and we are in no way implying that any of our products are original equipment parts. All parts advertised for sale in this catalog are made for and/or by II-VI Incorporated.



POS	II-VI p/n	OEM p/n	DESCRIPTION
1	L82	3-04271 08	BYSTRONIC® NOZZLE Ø 0.8
	L98	3-01894 10	BYSTRONIC® NOZZLE Ø 1.0
	L99	3-01895 12	BYSTRONIC® NOZZLE Ø 1.25
	L100	3-01896 15	BYSTRONIC® NOZZLE Ø 1.5
	L101	3-01897 17	BYSTRONIC® NOZZLE Ø 1.75
	L102	3-01898 20	BYSTRONIC® NOZZLE Ø 2.0
	L676	3-04272 25	BYSTRONIC® NOZZLE Ø 2.5
	L673	3-04275 H08	BYSTRONIC® NOZZLE Ø 0.8 HD
	L88	3-01899 H10	BYSTRONIC® NOZZLE Ø 1.0 HD
	L103	3-01900 H12	BYSTRONIC® NOZZLE Ø 1.25 HD
	L104	3-01901 H15	BYSTRONIC® NOZZLE Ø 1.5 HD
	L105	3-01902 H17	BYSTRONIC® NOZZLE Ø 1.75 HD
	L106	3-01903 H20	BYSTRONIC® NOZZLE Ø 2.0 HD
	L677	3-04276 H25	BYSTRONIC® NOZZLE Ø 2.5 HD
	L88X	3-01899 H10	BYSTRONIC® NOZZLE Ø 1.0 HD CP
	L103X	3-01900 H12	BYSTRONIC® NOZZLE Ø 1.25 HD CP
	L104X	3-01901 H15	BYSTRONIC® NOZZLE Ø 1.5 HD CP
	L105X	3-01902 H17	BYSTRONIC® NOZZLE Ø 1.75 HD CP
	L106X	3-01903 H20	BYSTRONIC® NOZZLE Ø 2.0 HD CP
	L677X	3-04276 H25	BYSTRONIC® NOZZLE Ø 2.5 HD CP

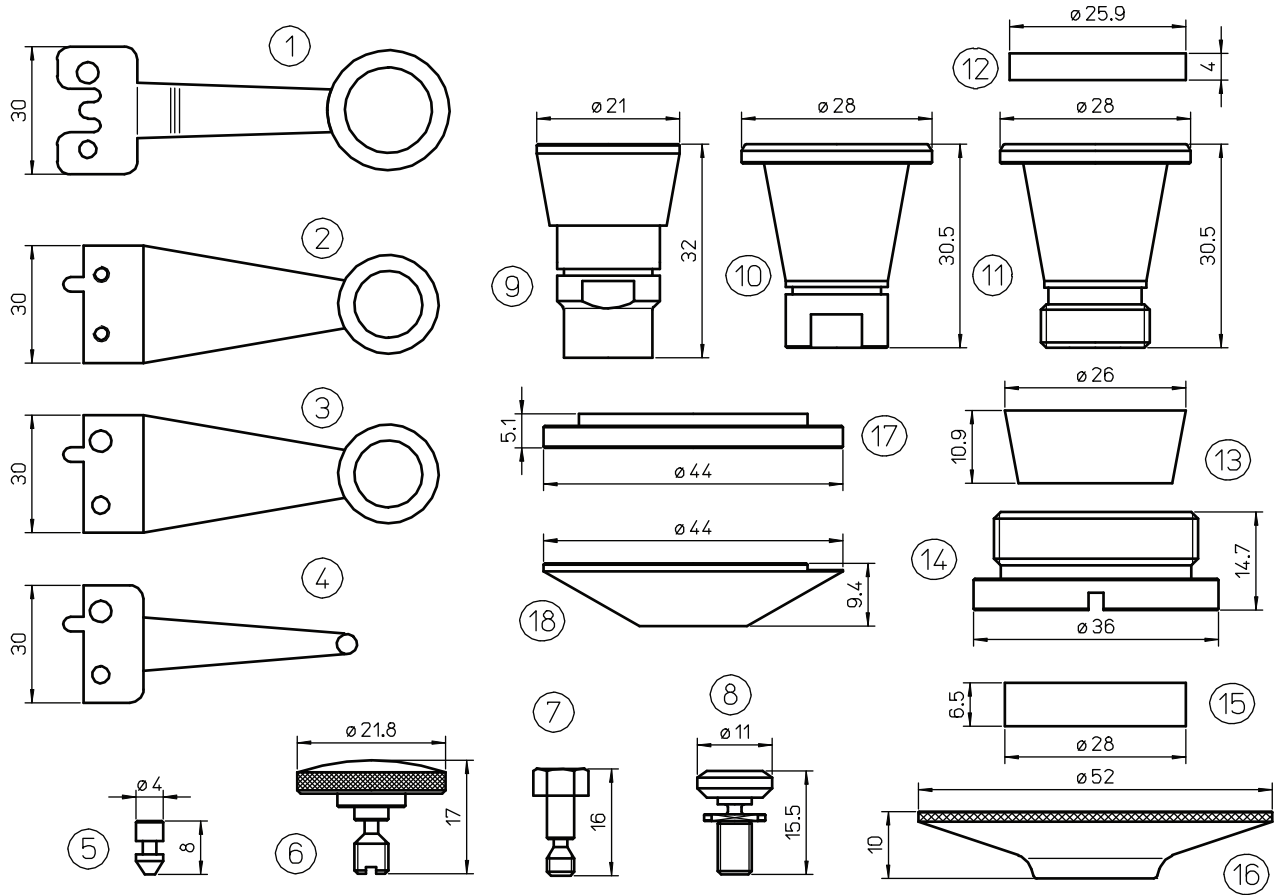
REPLACEMENT CO₂ LASER NOZZLES & ACCESSORIES



POS	II-VI p/n	OEM p/n	DESCRIPTION
1	L22	3-04271 08	BYSTRONIC® NOZZLE Ø 0.8
	L14	3-01894 10	BYSTRONIC® NOZZLE Ø 1.0
	L41	3-01895 12	BYSTRONIC® NOZZLE Ø 1.25
	L17	3-01896 15	BYSTRONIC® NOZZLE Ø 1.5
	L42	3-01897 17	BYSTRONIC® NOZZLE Ø 1.75
	L33	3-01898 20	BYSTRONIC® NOZZLE Ø 2.0
	L43	3-01899 H10	BYSTRONIC® NOZZLE Ø 1.0 HD
	L16	3-01900 H12	BYSTRONIC® NOZZLE Ø 1.25 HD
	L44	3-01901 H15	BYSTRONIC® NOZZLE Ø 1.5 HD
	L45	3-01902 H17	BYSTRONIC® NOZZLE Ø 1.75 HD
	L46	3-01903 H20	BYSTRONIC® NOZZLE Ø 2.0 HD
2	L71	3-04273 K08	BYSTRONIC® NOZZLE Ø 0.8
	L107	3-01905 K10	BYSTRONIC® NOZZLE Ø 1.0
	L108	3-01906 K12	BYSTRONIC® NOZZLE Ø 1.25
	L109	3-01907 K15	BYSTRONIC® NOZZLE Ø 1.5
	L110	3-01908 K17	BYSTRONIC® NOZZLE Ø 1.75
	L111	3-01909 K20	BYSTRONIC® NOZZLE Ø 2.0
	L89	3-01910 HK10	BYSTRONIC® NOZZLE Ø 1.0 HD
	L112	3-01911 HK12	BYSTRONIC® NOZZLE Ø 1.25 HD
	L113	3-01912 HK15	BYSTRONIC® NOZZLE Ø 1.5 HD
	L114	3-01913 HK17	BYSTRONIC® NOZZLE Ø 1.75 HD
	L115	3-01914 HK20	BYSTRONIC® NOZZLE Ø 2.0 HD

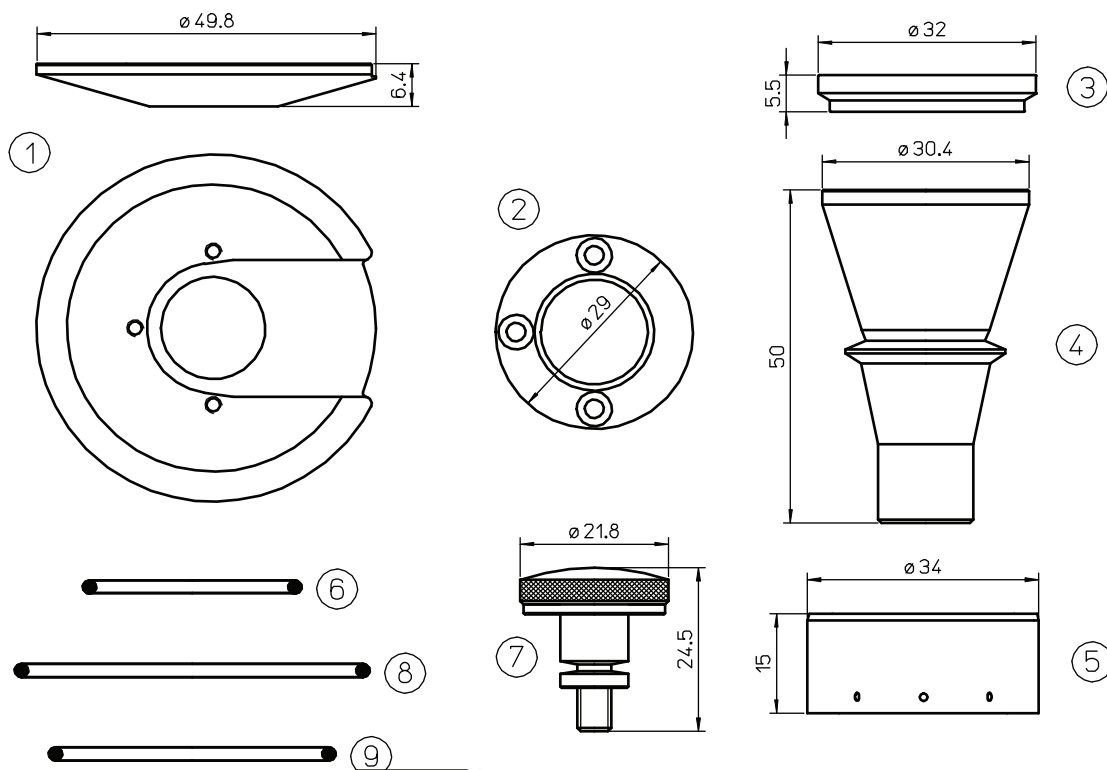
BYSTRONIC

All original equipment manufacturer's names, drawings, colors, trademarks and part numbers are used for identification purposes only, and we are in no way implying that any of our products are original equipment parts. All parts advertised for sale in this catalog are made for and/or by II-VI Incorporated.



POS	II-VI p/n	OEM p/n	DESCRIPTION
1	AL26	3-05530	BYSTRONIC® SCANNER
2	AL5	2-02015	BYSTRONIC® SCANNER
3	AL252	2-02015	BYSTRONIC® SCANNER
4	AL251	2-02016	BYSTRONIC® BALL SCANNER
5	AL24	4-03137	BYSTRONIC® PIN
6	AL25	4-03136	BYSTRONIC® KNURLED SCREW - BRASS
7	AL1	4-00324	BYSTRONIC® KNURLED SCREW
8	AL208	3-09001	BYSTRONIC® SCREW FOR CROSS-JET
9	AL188	3-02291	BYSTRONIC® NOZZLE BODY
10	AL102	3-05497	BYSTRONIC® COPPER NOZZLE BODY
11	AL172	2-08701	BYSTRONIC® NOZZLE BODY
12	AL125	4-01642	BYSTRONIC® CERAMIC INSULATING DISC
	AL231	4-01642	BYSTRONIC® CERAMIC INSULATING DISC NEW VERSION
13	AL124	4-01959	BYSTRONIC® CERAMIC CONE
	AL230	4-01959	BYSTRONIC® CERAMIC CONE - NEW VERSION
14	AL174	3-11071	BYSTRONIC® FASTENING NUT
15	AL126	4-09010	BYSTRONIC® CERAMIC INSULATING RING
16	AL173	2-08700	BYSTRONIC® SIGNBOARD
17	AL206	3-03663-T	BYSTRONIC® TEFLON DISC
18	AL205	3-03663-C	BYSTRONIC® SIGNBOARD
	AL246		BYSTRONIC® SCREW KIT (3 PCS) FOR AL205

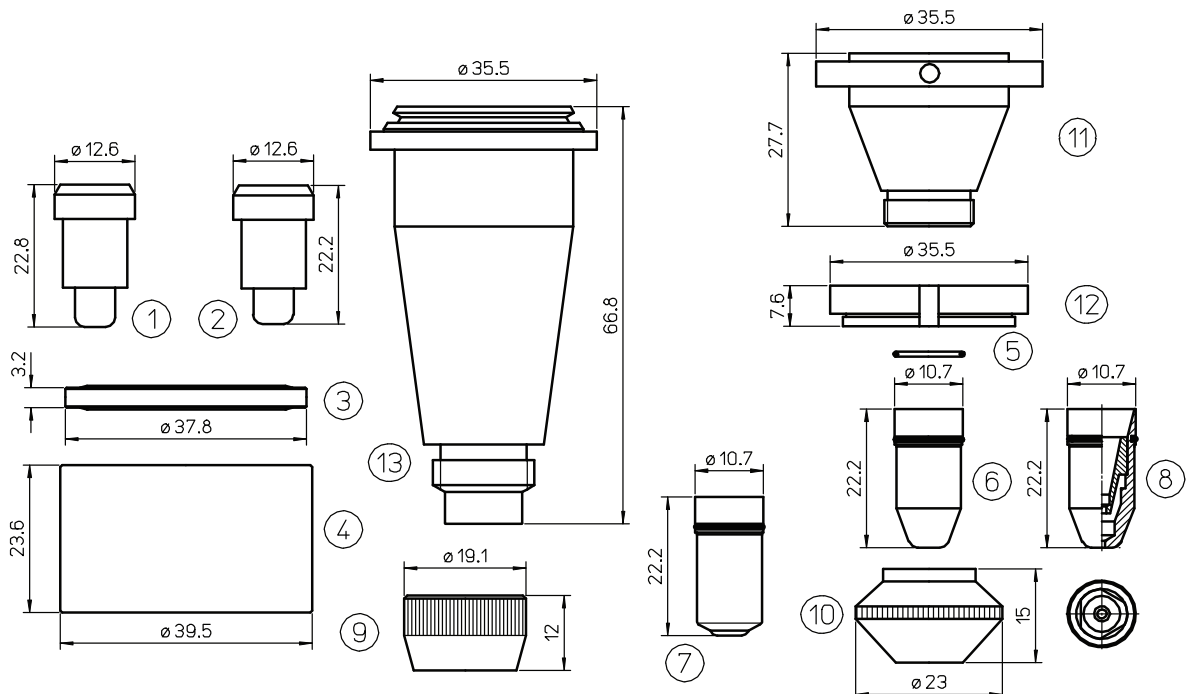
REPLACEMENT CO₂ LASER NOZZLES & ACCESSORIES



POS	II-VI p/n	OEM p/n	DESCRIPTION
1	AL222	3-06035	BYSTRONIC® SIGNBOARD COPPER ONLY
	AL245		BYSTRONIC® SCREW KIT (3 PCS) FOR AL222
2	AL120	3-06035-T	BYSTRONIC® DISC TEFLON
	AL120/P	3-06035-P	BYSTRONIC® DISK LONG LIFE
3	AL215	3-13113	BYSTRONIC® INSULATING RING
4	AL214	2-10837	BYSTRONIC® NOZZLE BODY
5	AL216	3-13422	BYSTRONIC® INSULATING RING WITH HOLES
6	AL99	3140820	BYSTRONIC® O-RING FOR LENS
7	AL209	4-04976	BYSTRONIC® KNURLED SCREW
8	AL225	3141300	BYSTRONIC® O-RING
9	AL226	3141122	BYSTRONIC® O-RING
		3149871	BYSTRONIC® O-RING - 3 PCS
		3140236	BYSTRONIC® O-RING

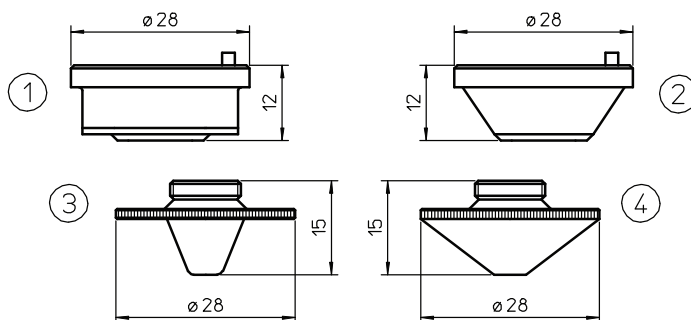
All original equipment manufacturer's names, drawings, colors, trademarks and part numbers are used for identification purposes only, and we are in no way implying that any of our products are original equipment parts. All parts advertised for sale in this catalog are made for and/or by II-VI Incorporated.

BYSTRONIC



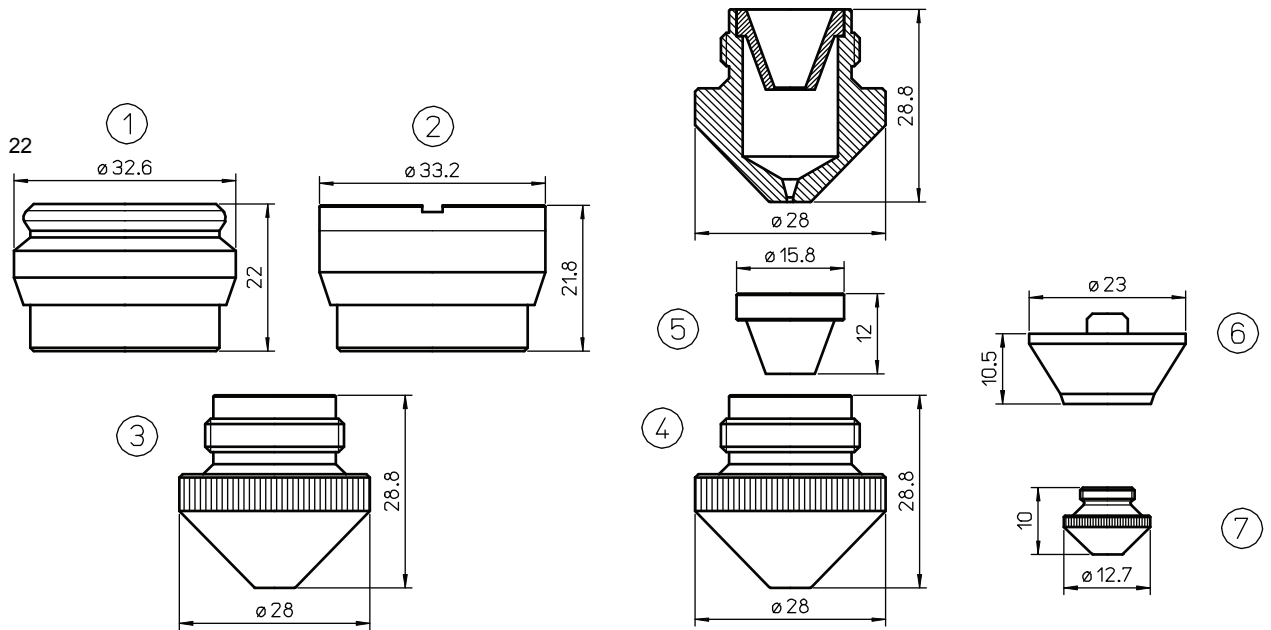
POS	II-VI p/n	OEM p/n	DESCRIPTION
1	L220	908090	CINCINNATI® ELONGATED NOZZLE Ø 1.5
2	L221	907469	CINCINNATI® NOZZLE Ø 1.0
	L222	907470	CINCINNATI® NOZZLE Ø 1.5
	L223	920006	CINCINNATI® NOZZLE Ø 2.0
3	AL92		CINCINNATI® GASKET TEFLON WITH SPRING
4	AL71/S	907677	CINCINNATI® NOZZLE HOLDER
	AL71	907472	CINCINNATI® NOZZLE HOLDER WITH GASKET
5	AL95	909680	CINCINNATI® O-RING FOR NOZZLE - 10PC
6	L712	924635	CINCINNATI® NOZZLE Ø 1.0 W/O'RING
	L961		CINCINNATI® NOZZLE Ø 1.2 W/O'RING
	L962		CINCINNATI® NOZZLE Ø 1.3 W/O'RING
	L963		CINCINNATI® NOZZLE Ø 1.4 W/O'RING
	L224	909660	CINCINNATI® NOZZLE Ø 1.5 W/O'RING
	L225	910315	CINCINNATI® NOZZLE Ø 2.0 W/O'RING
	L713	924638	CINCINNATI® NOZZLE Ø 2.5 W/O'RING
	L714	924634	CINCINNATI® NOZZLE Ø 3.0 W/O'RING
	L433	923013	CINCINNATI® SHOWER NOZZLE Ø 1.0 W/O'RING
	L434	923014	CINCINNATI® SHOWER NOZZLE Ø 1.5 W/O'RING
7	L869	924636	CINCINNATI® NOZZLE Ø 1.5 W/O'RING
	L870	924637	CINCINNATI® NOZZLE Ø 2.0 W/O'RING
8	L1018		CINCINNATI® DOUBLE NOZZLE Ø 1.0 W/O'RING
	L1019		CINCINNATI® DOUBLE NOZZLE Ø 1.5 W/O'RING
	L1020		CINCINNATI® DOUBLE NOZZLE Ø 2.0 W/O'RING
9	AL48	909659	CINCINNATI® TIP LOCK NUT
10	AL135	963021	CINCINNATI® TIP RETAINER NUT
11	AL137		CINCINNATI® TIP RETAINER
12	AL139		CINCINNATI® INSULATOR RING
13	AL183	909658	CINCINNATI® TIP RETAINER EXTENTION

REPLACEMENT CO₂ LASER NOZZLES & ACCESSORIES



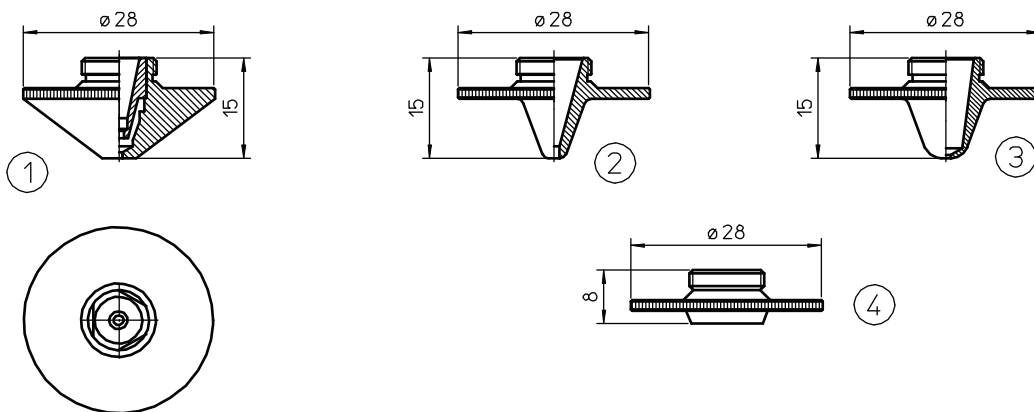
POS	II-VI p/n	OEM p/n	DESCRIPTION
1	AL23	281330-P0571-260-00001	PRECITEC® ORIG. NOZZLE HOLDER KT B2
	AL109	281330-P0571-260-00001	PRECITEC® NOZZLE HOLDER KT B2 - 281330
2	AL140	281795-P0571-255-00001	PRECITEC® ORIG. NOZZLE HOLDER KT B2" H
3	L247	281590-P0591-569-00008	PRECITEC® NOZZLE Ø 0.8
	L162	281331-P0591-561-00010	PRECITEC® NOZZLE Ø 1.0
	L130	281351-P0591-562-00012	PRECITEC® NOZZLE Ø 1.25
	L131	281352-P0591-563-00015	PRECITEC® NOZZLE Ø 1.5
	L248		PRECITEC® NOZZLE Ø 1.7
	L153	281352-P0591-564-00018	PRECITEC® NOZZLE Ø 1.8
	L132	281354-P591-565-00020	PRECITEC® NOZZLE Ø 2.0
	L154		PRECITEC® NOZZLE Ø 2.3
	L155	281591-P0591-566-00025	PRECITEC® NOZZLE Ø 2.5
	L156		PRECITEC® NOZZLE Ø 3.0
	L247X	281590-P0591-569-00008	PRECITEC® NOZZLE Ø 0.8 CP
	L162X	281331-P0591-561-00010	PRECITEC® NOZZLE Ø 1.0 CP
	L130X	281351-P0591-562-00012	PRECITEC® NOZZLE Ø 1.25 CP
	L131X	281352-P0591-563-00015	PRECITEC® NOZZLE Ø 1.5 CP
	L248X		PRECITEC® NOZZLE Ø 1.7 CP
	L153X	281352-P0591-564-00018	PRECITEC® NOZZLE Ø 1.8 CP
	L132X	281354-P591-565-00020	PRECITEC® NOZZLE Ø 2.0 CP
	L154X		PRECITEC® NOZZLE Ø 2.3 CP
	L155X	281591-P0591-566-00025	PRECITEC® NOZZLE Ø 2.5 CP
	L156X		PRECITEC® NOZZLE Ø 3.0 CP
4	L234	281548-P0591-571-00010	PRECITEC® NOZZLE Ø 1.0 HD
	L236	281463-P0591-573-00015	PRECITEC® NOZZLE Ø 1.5 HD
	L235	281549-P0591-572-00012	PRECITEC® NOZZLE Ø 1.25 HD
	L237		PRECITEC® NOZZLE Ø 1.8 HD
	L238	281550-P0591-575-00020	PRECITEC® NOZZLE Ø 2.0 HD
	L238	281550-P0591-575-00020	PRECITEC® NOZZLE Ø 2.0 HD
	L240	281551-P0591-576-00025	PRECITEC® NOZZLE Ø 2.5 HD
	L241		PRECITEC® NOZZLE Ø 3.0 HD
	L234X	281548-P0591-571-00010	PRECITEC® NOZZLE Ø 1.0 HD CP
	L235X	281549-P0591-572-00012	PRECITEC® NOZZLE Ø 1.25 HD CP
	L236X	281463-P0591-573-00015	PRECITEC® NOZZLE Ø 1.5 HD CP
	L237X		PRECITEC® NOZZLE Ø 1.8 HD CP
	L238X	281550-P0591-575-00020	PRECITEC® NOZZLE Ø 2.0 HD CP
	L239X		PRECITEC® NOZZLE Ø 2.3 HD CP
	L240X	281551-P0591-576-00025	PRECITEC® NOZZLE Ø 2.5 HD CP
	L241X		PRECITEC® NOZZLE Ø 3.0 HD CP

All original equipment manufacturer's names, drawings, colors, trademarks and part numbers are used for identification purposes only, and we are in no way implying that any of our products are original equipment parts. All parts advertised for sale in this catalog are made for and/or by II-VI Incorporated.



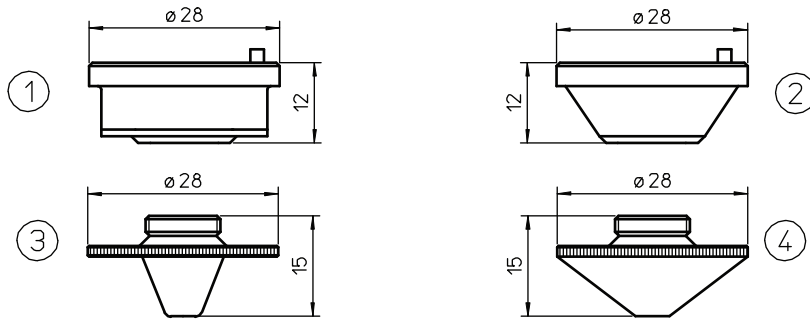
POS	II-VI p/n	OEM p/n	DESCRIPTION
1	AL35	280831-P0492-622-00002	PRECITEC® ORIG. NOZ.HOLDER KT M1.5"DX P0492-622-00002
2	AL40	280565-P0497-605-00001	PRECITEC® ORIG. NOZZLE HOLDER KT M1.5"DXN P0497-605-00001
3	L163	280029-P0492-628-00010	PRECITEC® NOZZLE Ø 1.0
	L164	280030-P0492-629-00012	PRECITEC® NOZZLE Ø 1.2
	L165	280028-P0492-627-00015	PRECITEC® NOZZLE Ø 1.5
	L166	280027-P0492-626-00020	PRECITEC® NOZZLE Ø 2.0
	L167	280026-P0492-625-00025	PRECITEC® NOZZLE Ø 2.5
	L201	280025-P0492-623-00001	PRECITEC® NOZZLE Ø 3.0
4	L259		PRECITEC® NOZ. Ø 1.0 FOR INNER - PATENT
	L260		PRECITEC® NOZ. Ø 1.2 FOR INNER - PATENT
	L261		PRECITEC® NOZ. Ø 1.5 FOR INNER - PATENT
	L262		PRECITEC® NOZ. Ø 2.0 FOR INNER - PATENT
	L263		PRECITEC® NOZ. Ø 2.5 FOR INNER - PATENT
	L264		PRECITEC® NOZ. Ø 3.0 FOR INNER - PATENT
5	L157		LVD® INNER NOZZLE
6	AL138	281079-P0492-430-00003-W149	PRECITEC® ORIG. NOZZLE HOLDER KT M1.5 S F2.5
7	L400	280013-P0492-441-00008	PRECITEC® FP NOZZLE Ø 0.8
	L401	280014-P0492-442-00010-W223	PRECITEC® FP NOZZLE Ø 1.0
	L402	280015-P0492-443-00012	PRECITEC® FP NOZZLE Ø 1.2
	L403	280016-P0492-444-00015-W224	PRECITEC® FP NOZZLE Ø 1.5
	L543	P0492-447-00018	PRECITEC® FP NOZZLE Ø 1.8
	L544	280937-P0492-445-00020-W225	PRECITEC® FP NOZZLE Ø 2.0
	L546	P0492-448-00023	PRECITEC® FP NOZZLE Ø 2.3
	L545	281791-P0492-446-00025-W226	PRECITEC® FP NOZZLE Ø 2.5
	L547		PRECITEC® FP NOZZLE Ø 3.0

REPLACEMENT CO₂ LASER NOZZLES & ACCESSORIES



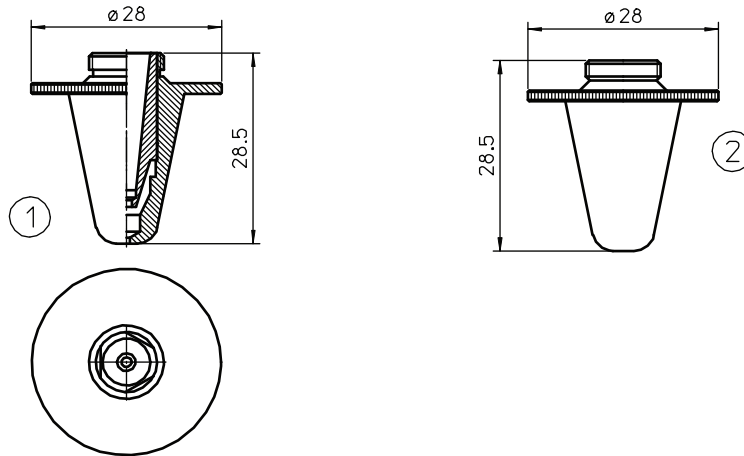
POS	II-VI p/n	OEM p/n	DESCRIPTION
1	L660		PRECITEC® NOZZLE Ø 1.0 W/I
	L661		PRECITEC® NOZZLE Ø 1.25 W/I
	L662		PRECITEC® NOZZLE Ø 1.5 W/I
	L663		PRECITEC® NOZZLE Ø 1.8 W/I
	L664		PRECITEC® NOZZLE Ø 2.0 W/I
	L665		PRECITEC® NOZZLE Ø 2.3 W/I
	L666		PRECITEC® NOZZLE Ø 2.5 W/I
	L667		PRECITEC® NOZZLE Ø 3.0 W/I
	L668		PRECITEC® NOZZLE Ø 3.5 W/I
	L660X		PRECITEC® NOZZLE Ø 1.0 CP W/I
	L661X		PRECITEC® NOZZLE Ø 1.25 CP W/I
	L662X		PRECITEC® NOZZLE Ø 1.5 CP W/I
	L663X		PRECITEC® NOZZLE Ø 1.8 CP W/I
	L664X		PRECITEC® NOZZLE Ø 2.0 CP W/I
	L665X		PRECITEC® NOZZLE Ø 2.3 CP W/I
	L666X		PRECITEC® NOZZLE Ø 2.5 CP W/I
L667X		PRECITEC® NOZZLE Ø 3.0 CP W/I	
L668X		PRECITEC® NOZZLE Ø 3.5 CP W/I	
2	L738		PRECITEC® NOZZLE Ø 1.0 HD
	L739		PRECITEC® NOZZLE Ø 1.25 HD
	L740		PRECITEC® NOZZLE Ø 1.5 HD
3	L792		PRECITEC® NOZZLE Ø 0.8
	L793		PRECITEC® NOZZLE Ø 1.0
	L794		PRECITEC® NOZZLE Ø 1.25
	L742		PRECITEC® NOZZLE Ø 1.5
	L743		PRECITEC® NOZZLE Ø 1.8
	L744		PRECITEC® NOZZLE Ø 2.0
4	AL43		PRECITEC® ADAPTER FOR TRUMPF® NOZZLE

All original equipment manufacturer's names, drawings, colors, trademarks and part numbers are used for identification purposes only, and we are in no way implying that any of our products are original equipment parts. All parts advertised for sale in this catalog are made for and/or by II-VI Incorporated.



POS	II-VI p/n	OEM p/n	DESCRIPTION
1	AL23	281330-P0571-260-00001	PRECITEC® ORIG. NOZZLE HOLDER KT B2
	AL109	281330-P0571-260-00001	PRECITEC® NOZZLE HOLDER KT B2 - 281330
2	AL140	281795-P0571-255-00001	PRECITEC® ORIG. NOZZLE HOLDER KT B2" H
3	L247	281590-P0591-569-00008	PRECITEC® NOZZLE Ø 0.8
	L162	281331-P0591-561-00010	PRECITEC® NOZZLE Ø 1.0
	L130	281351-P0591-562-00012	PRECITEC® NOZZLE Ø 1.25
	L131	281352-P0591-563-00015	PRECITEC® NOZZLE Ø 1.5
	L248		PRECITEC® NOZZLE Ø 1.7
	L153	281352-P0591-564-00018	PRECITEC® NOZZLE Ø 1.8
	L132	281354-P591-565-00020	PRECITEC® NOZZLE Ø 2.0
	L154		PRECITEC® NOZZLE Ø 2.3
	L155	281591-P0591-566-00025	PRECITEC® NOZZLE Ø 2.5
	L156		PRECITEC® NOZZLE Ø 3.0
	L247X	281590-P0591-569-00008	PRECITEC® NOZZLE Ø 0.8 CP
	L162X	281331-P0591-561-00010	PRECITEC® NOZZLE Ø 1.0 CP
	L130X	281351-P0591-562-00012	PRECITEC® NOZZLE Ø 1.25 CP
	L131X	281352-P0591-563-00015	PRECITEC® NOZZLE Ø 1.5 CP
	L248X		PRECITEC® NOZZLE Ø 1.7 CP
	L153X	281352-P0591-564-00018	PRECITEC® NOZZLE Ø 1.8 CP
	L132X	281354-P591-565-00020	PRECITEC® NOZZLE Ø 2.0 CP
	L154X		PRECITEC® NOZZLE Ø 2.3 CP
	L155X	281591-P0591-566-00025	PRECITEC® NOZZLE Ø 2.5 CP
	L156X		PRECITEC® NOZZLE Ø 3.0 CP
4	L234	281548-P0591-571-00010	PRECITEC® NOZZLE Ø 1.0 HD
	L235	281549-P0591-572-00012	PRECITEC® NOZZLE Ø 1.25 HD
	L236	281463-P0591-573-00015	PRECITEC® NOZZLE Ø 1.5 HD
	L237		PRECITEC® NOZZLE Ø 1.8 HD
	L238	281550-P0591-575-00020	PRECITEC® NOZZLE Ø 2.0 HD
	L239		PRECITEC® NOZZLE Ø 2.3 HD
	L240	281551-P0591-576-00025	PRECITEC® NOZZLE Ø 2.5 HD
	L241		PRECITEC® NOZZLE Ø 3.0 HD
	L234X	281548-P0591-571-00010	PRECITEC® NOZZLE Ø 1.0 HD CP
	L235X	281549-P0591-572-00012	PRECITEC® NOZZLE Ø 1.25 HD CP
	L236X	281463-P0591-573-00015	PRECITEC® NOZZLE Ø 1.5 HD CP
	L237X		PRECITEC® NOZZLE Ø 1.8 HD CP
	L238X	281550-P0591-575-00020	PRECITEC® NOZZLE Ø 2.0 HD CP
	L239X		PRECITEC® NOZZLE Ø 2.3 HD CP
	L240X	281551-P0591-576-00025	PRECITEC® NOZZLE Ø 2.5 HD CP
	L241X		PRECITEC® NOZZLE Ø 3.0 HD CP

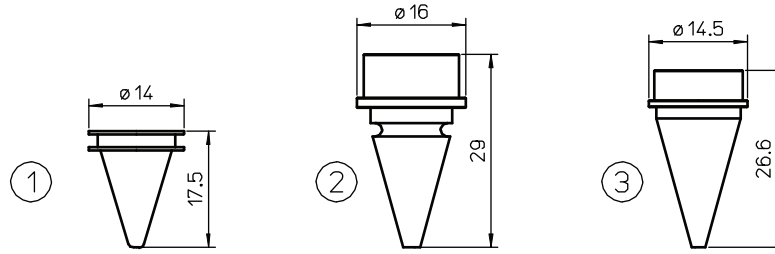
REPLACEMENT CO₂ LASER NOZZLES & ACCESSORIES



POS	II-VI p/n	OEM p/n	DESCRIPTION
1	L680		PRECITEC® NOZZLE Ø 1.0 LONG W/I
	L681		PRECITEC® NOZZLE Ø 1.25 LONG W/I
	L682		PRECITEC® NOZZLE Ø 1.5 LONG W/I
	L683		PRECITEC® NOZZLE Ø 1.8 LONG W/I
	L684		PRECITEC® NOZZLE Ø 2.0 LONG W/I
	L685		PRECITEC® NOZZLE Ø 2.3 LONG W/I
	L686		PRECITEC® NOZZLE Ø 2.5 LONG W/I
	L687		PRECITEC® NOZZLE Ø 3.0 LONG W/I
	L688		PRECITEC® NOZZLE Ø 3.5 LONG W/I
2	L308	P0573-563-00010	PRECITEC® NOZZLE Ø 1.0 LONGED
	L307	P0573-563-00012	PRECITEC® NOZZLE Ø 1.25 LONGED
	L382	P0573-563-00015	PRECITEC® NOZZLE Ø 1.5 LONGED
	L383		PRECITEC® NOZZLE Ø 1.8 LONGED
	L437	P0573-564-00020	PRECITEC® NOZZLE Ø 2.0 LONGED
	L438	P0573-565-00023	PRECITEC® NOZZLE Ø 2.3 LONGED
	L439	P0573-566-00025	PRECITEC® NOZZLE Ø 2.5 LONGED
	L440		PRECITEC® NOZZLE Ø 3.0 LONGED

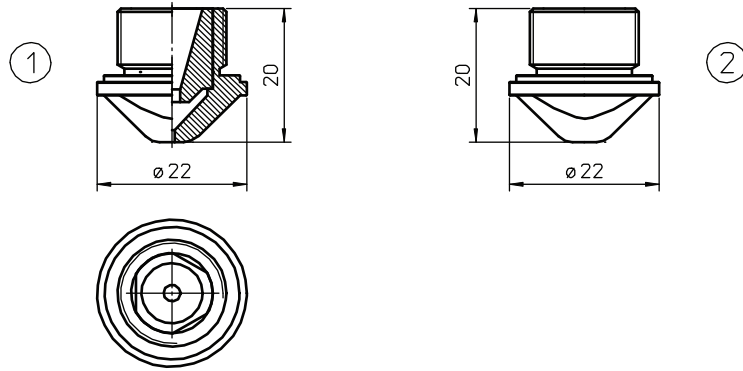
GHT

All original equipment manufacturer's names, drawings, colors, trademarks and part numbers are used for identification purposes only, and we are in no way implying that any of our products are original equipment parts. All parts advertised for sale in this catalog are made for and/or by II-VI Incorporated.



POS	II-VI p/n	OEM p/n	DESCRIPTION
1	L507	12-11-16-00	HAAS® NOZZLE Ø 0.8
2	L476		HAAS® NOZZLE Ø 0.6
	L477		HAAS® NOZZLE Ø 0.8
	L478		HAAS® NOZZLE Ø 1.0
3	L509		HAAS® NOZZLE Ø 0.9

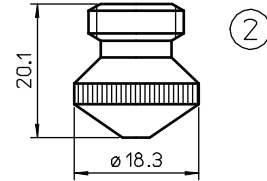
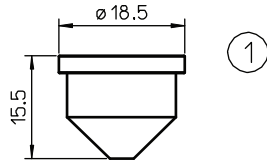
REPLACEMENT CO₂ LASER NOZZLES & ACCESSORIES



POS	II-VI p/n	OEM p/n	DESCRIPTION
1	L525		HACO DOUBLE NOZZLE Ø 2.5
2	L526		HACO NOZZLE Ø 1.0
	L533		HACO NOZZLE Ø 1.2
	L527		HACO NOZZLE Ø 1.5
	L528		HACO NOZZLE Ø 1.7
	L529		HACO NOZZLE Ø 2.0
	L530		HACO NOZZLE Ø 2.5
	L531		HACO NOZZLE Ø 3.0

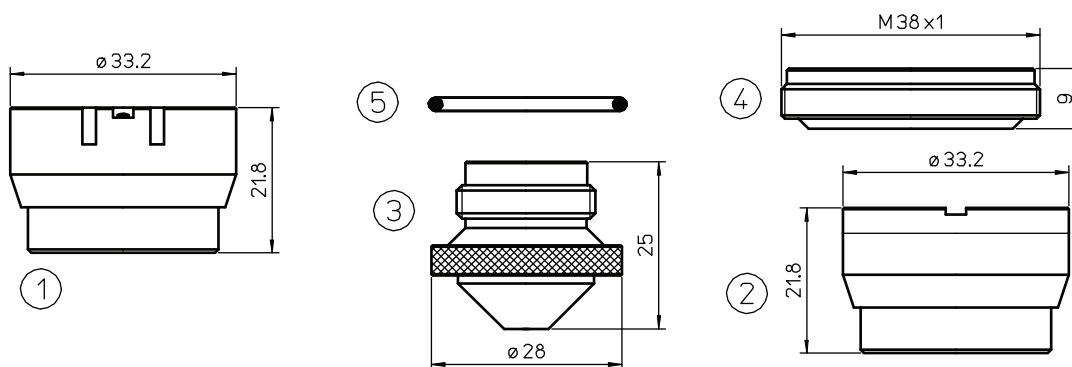
HACO

All original equipment manufacturer's names, drawings, colors, trademarks and part numbers are used for identification purposes only, and we are in no way implying that any of our products are original equipment parts. All parts advertised for sale in this catalog are made for and/or by II-VI Incorporated.



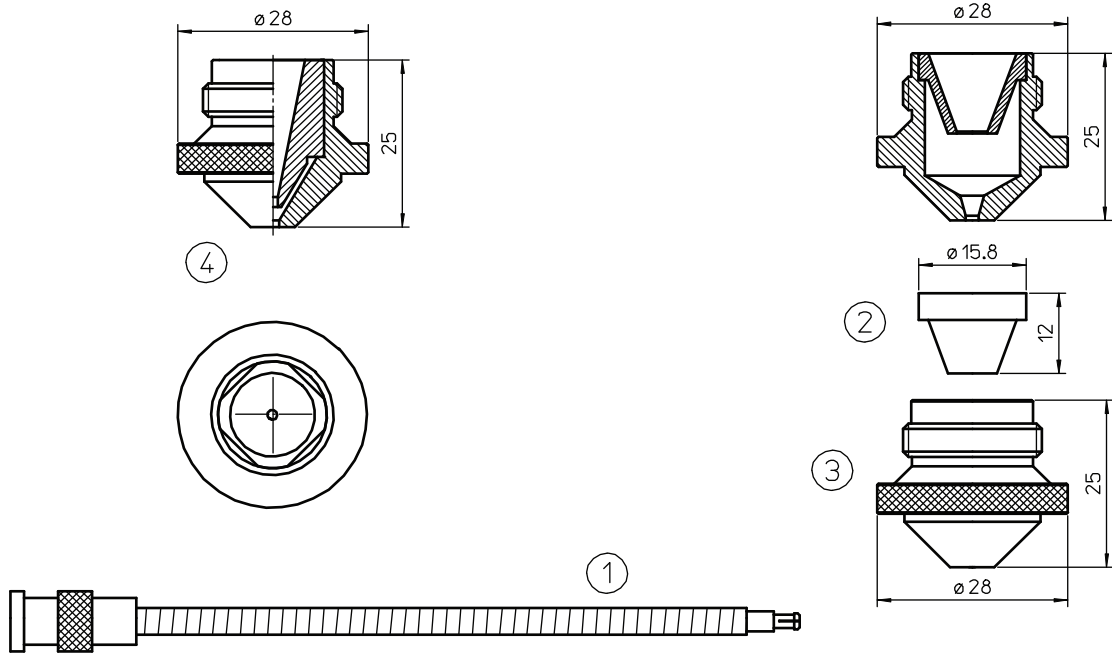
POS	II-VI p/n	OEM p/n	DESCRIPTION
1	L510	03-210T	LASER LAB® NOZZLE Ø 1.0
	L511	03-212T	LASER LAB® NOZZLE Ø 1.2
	L512	03-214T	LASER LAB® NOZZLE Ø 1.4
	L513	03-217T	LASER LAB® NOZZLE Ø 1.7
	L514	03-220T	LASER LAB® NOZZLE Ø 2.0
	L515	03-224T	LASER LAB® NOZZLE Ø 2.4
	L516	03-230T	LASER LAB® NOZZLE Ø3.0
	2	L518	01-2293
L519		00-2293-1,0	LASER LAB® NOZZLE Ø 1.0
L520		00-2293	LASER LAB® NOZZLE Ø 1.2
L521		03-2293	LASER LAB® NOZZLE Ø 1.5
L522		03-2293-1,8	LASER LAB® NOZZLE Ø 1.8
L523		02-2293	LASER LAB® NOZZLE Ø 2.0

REPLACEMENT CO₂ LASER NOZZLES & ACCESSORIES



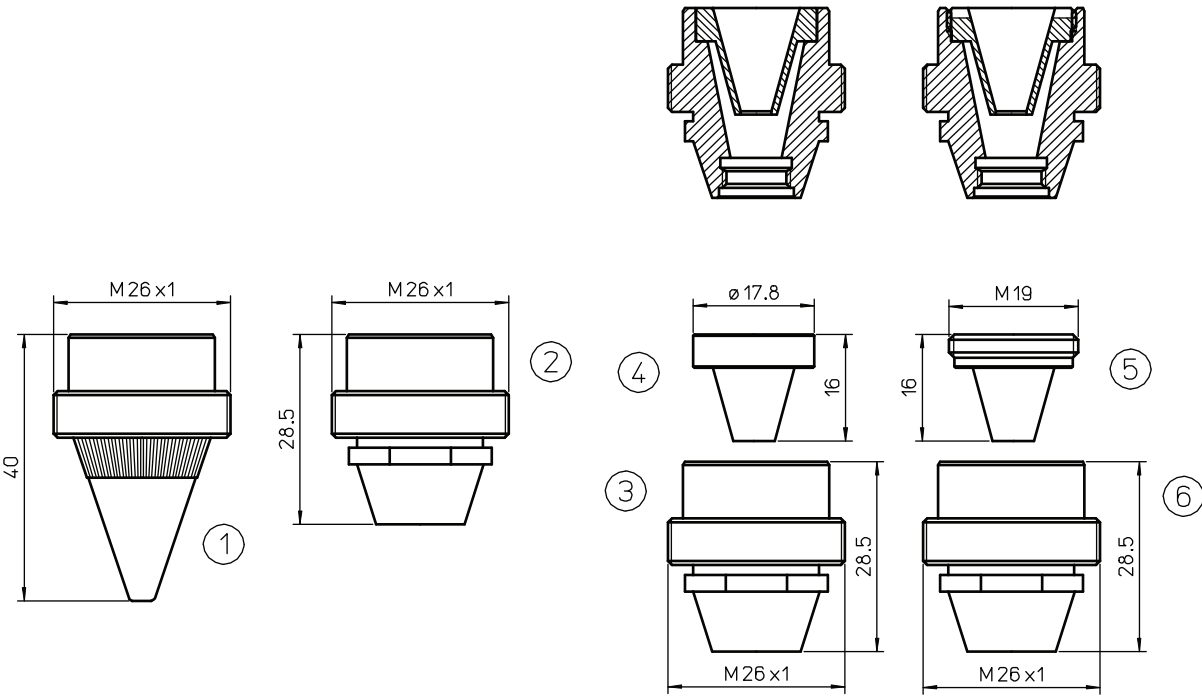
POS	II-VI p/n	OEM p/n	DESCRIPTION
1	AL130	281146-PO380-211-00001	PRECITEC® ORIG. NOZZLE HOLDER IT M1.5" DZ 3164010008
	AL130/S	281146-PO380-211-00001	PRECITEC® NOZZLE HOLDER IT M1.5" DZ 3164010008
2	AL40	280565-P0497-605-00001	PRECITEC® ORIG. NOZZLE HOLDER KT M1.5"DXN P0497-605-00001
3	L757	D5241993	LVD® NOZZLE Ø 0.8
	L141	D7945470	LVD® NOZZLE Ø 1.0
	L758	D5241982	LVD® NOZZLE Ø 1.2
	L142	D7945434	LVD® NOZZLE Ø 1.5
	L143	D7945452	LVD® NOZZLE Ø 2.0
	L144	D7945517	LVD® NOZZLE Ø 2.5
	L145		LVD® NOZZLE Ø 3.0
	L757X	D5241993	LVD® NOZZLE Ø 0.8 CP
	L141X	D7945470	LVD® NOZZLE Ø 1.0 CP
	L758X	D5241982	LVD® NOZZLE Ø 1.2 CP
	L142X	D7945434	LVD® NOZZLE Ø 1.5 CP
	L143X	D7945452	LVD® NOZZLE Ø 2.0 CP
	L144X	D7945517	LVD® NOZZLE Ø 2.5 CP
	L145X		LVD® NOZZLE Ø 3.0 CP
	L151	D5241863	LVD® NOZZLE Ø 1.0 HD
	L759		LVD® NOZZLE Ø 1.2HD
	L152	D5241862B	LVD® NOZZLE Ø 1.5 HD
	L146	D5241855B	LVD® NOZZLE Ø 2.0 HD
	L147	D5241856B	LVD® NOZZLE Ø 2.5 HD
	L148	D5241857B	LVD® NOZZLE Ø 3.0 HD
	L149	D5241877B	LVD® NOZZLE Ø 3.5 HD
	L283	D5241878B	LVD® NOZZLE Ø 4.0 HD
	L152X	D5241862	LVD® NOZZLE Ø 1.5 HD CP
	L146X	D5241855	LVD® NOZZLE Ø 2.0 HD CP
	L147X	D5241856	LVD® NOZZLE Ø 2.5 HD CP
	L148X	D5241857	LVD® NOZZLE Ø 3.0 HD CP
	L149X	D5241877	LVD® NOZZLE Ø 3.5 HD CP
	L283X	D5241878	LVD® NOZZLE Ø 4.0 HD CP
4	AL198	PO492-702-00001 - 49270200001	PRECITEC® INSULATING RING - plastic
	AL201	PO492-702-00002	PRECITEC® INSULATING RING
5	AL94	71366453	AMADA® O'RING FOR NOZZLE OUTER-10 PCS

All original equipment manufacturer's names, drawings, colors, trademarks and part numbers are used for identification purposes only, and we are in no way implying that any of our products are original equipment parts. All parts advertised for sale in this catalog are made for and/or by II-VI Incorporated.



POS	II-VI p/n	OEM p/n	DESCRIPTION
1	AL204	PO360-100-00500	PRECITEC® ORIG. SENSOR CABLE KE 500 Z
	AL202	P0497-002-00450	PRECITEC® ORIG. CABLE KE 450 gg
2	L157		LVD® INNER NOZZLE
3	L158		LVD® NOZZLE Ø 1.0
	L934		LVD® NOZZLE Ø 1.2 FOR INNER NOZZLE
	L159		LVD® NOZZLE Ø 1.5
	L160		LVD® NOZZLE Ø 2.0
	L161		LVD® NOZZLE Ø 2.5
	L178		LVD® NOZZLE Ø 3.0
	L179		LVD® NOZZLE Ø 3.5
4	L783		LVD® NOZZLE Ø 1.0 W/I
	L782		LVD® NOZZLE Ø 1.2 W/I
	L784		LVD® NOZZLE Ø 1.5 W/I
	L785		LVD® NOZZLE Ø 2.0 W/I
	L786		LVD® NOZZLE Ø 2.5 W/I
	L787		LVD® NOZZLE Ø 3.0 W/I
	L788		LVD® NOZZLE Ø 3.5 W/I
	L789		LVD® NOZZLE Ø 4.0 W/I
	L783X		LVD® DOUBLE NOZZLE Ø 1,0 CP
	L782X		LVD® DOUBLE NOZZLE Ø 1.2 CP
	L784X		LVD® DOUBLE NOZZLE Ø 1,5 CP
	L785X		LVD® DOUBLE NOZZLE Ø 2,0 CP
	L786X		LVD® DOUBLE NOZZLE Ø 2,5 CP
	L787X		LVD® DOUBLE NOZZLE Ø 3,0 CP
	L788X		LVD® DOUBLE NOZZLE Ø 3,5 CP
	L789X		LVD® DOUBLE NOZZLE Ø 4,0 CP
	L790	G8040131	LVD® NOZZLE Ø 3.0 W/I

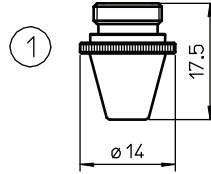
REPLACEMENT CO₂ LASER NOZZLES & ACCESSORIES



POS	II-VI p/n	OEM p/n	DESCRIPTION
1	L61	46523300060	MAZAK® NOZZLE Ø 1.0
	L60	46523300062	MAZAK® NOZZLE Ø 1.2
	L84	46523300061	MAZAK® NOZZLE Ø 1.5
	L4	46523300061	MAZAK® NOZZLE Ø 1.7
	L331		MAZAK® NOZZLE Ø 1.8
	L51	46523300063	MAZAK® NOZZLE Ø 2.0
	L333	46523300063	MAZAK® NOZZLE Ø 2.5
2	AL11	46603350510	MAZAK® NOZZLE ADAPTER BODY
3	AL44		MAZAK® NOZZLE ADAPTER
4	AL45		MAZAK® INNER NOZZLE
5	AL55		MAZAK® INNER NOZZLE
6	AL54		MAZAK® NOZZLE ADAPTER

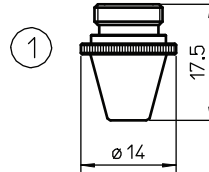
All original equipment manufacturer's names, drawings, colors, trademarks and part numbers are used for identification purposes only, and we are in no way implying that any of our products are original equipment parts. All parts advertised for sale in this catalog are made for and/or by II-VI Incorporated.

MAZAK



POS	II-VI p/n	OEM p/n	DESCRIPTION
1	L78	46603350508	MAZAK® NOZZLE Ø 0.8
	L69	46603350511	MAZAK® NOZZLE Ø 1.0
	L77	46603350512	MAZAK® NOZZLE Ø 1.2
	L127	4660335052B	MAZAK® NOZZLE Ø 1.5
	L79	46603350517	MAZAK® NOZZLE Ø 1.7
	L281	46603350517-1,8	MAZAK® NOZZLE Ø 1.8
	L80	4660335052C	MAZAK® NOZZLE Ø 2.0
	L282	46603350522-2,2	MAZAK® NOZZLE Ø 2.2
	L124	46603350525	MAZAK® NOZZLE Ø 2.5
	L150	46603350530	MAZAK® NOZZLE Ø 3.0
	L708	46603350530-3,5	MAZAK® NOZZLE Ø 3.5
	L709	46603350530-4,0	MAZAK® NOZZLE Ø4.0
	L710	46603350530-4,5	MAZAK® NOZZLE Ø4.5
	L711	46603350530-5,0	MAZAK® NOZZLE Ø 5.0

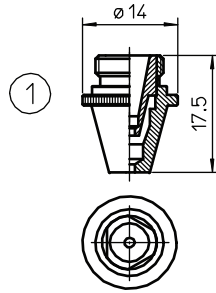
REPLACEMENT CO₂ LASER NOZZLES & ACCESSORIES



POS	II-VI p/n	OEM p/n	DESCRIPTION
1	L78X	46603350508	MAZAK® NOZZLE Ø 0.8 CP
	L69X	46603350511	MAZAK® NOZZLE Ø 1.0 CP
	L77X	46603350512	MAZAK® NOZZLE Ø 1.2 CP
	L127X	4660335052B	MAZAK® NOZZLE Ø 1.5 CP
	L79X	46603350517	MAZAK® NOZZLE Ø 1.7 CP
	L281X	46603350517-1,8	MAZAK® NOZZLE Ø 1.8 CP
	L80X	4660335052C	MAZAK® NOZZLE Ø 2.0 CP
	L282X	46603350522-2,2	MAZAK® NOZZLE Ø 2.2 CP
	L124X	46603350525	MAZAK® NOZZLE Ø 2.5 CP
	L150X	46603350530	MAZAK® NOZZLE Ø 3.0 CP
	L708X	46603350530-3,5	MAZAK® NOZZLE Ø 3.5 CP
	L709X	46603350530-4,0	MAZAK® NOZZLE Ø 4.0 CP
	L710X	46603350530-4,5	MAZAK® NOZZLE Ø 4.5 CP
	L711X	46603350530-5,0	MAZAK® NOZZLE Ø 5.0 CP

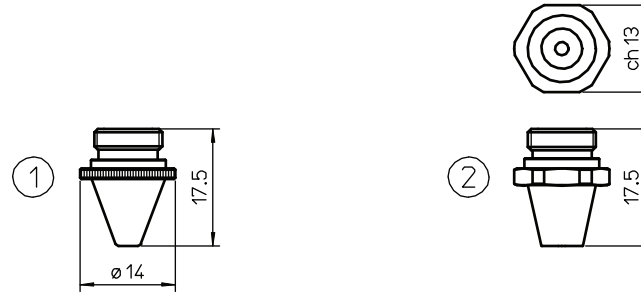
MAZAK

All original equipment manufacturer's names, drawings, colors, trademarks and part numbers are used for identification purposes only, and we are in no way implying that any of our products are original equipment parts. All parts advertised for sale in this catalog are made for and/or by II-VI Incorporated.



POS	II-VI p/n	OEM p/n	DESCRIPTION
1	L615		MAZAK® NOZZLE Ø 1.0 W/I
	L616		MAZAK® NOZZLE Ø 1.2 W/I
	L617		MAZAK® NOZZLE Ø 1.5 W/I
	L618		MAZAK® NOZZLE Ø 1.7 W/I
	L619		MAZAK® NOZZLE Ø 1.8 W/I
	L620		MAZAK® NOZZLE Ø 2.0 W/I
	L621		MAZAK® NOZZLE Ø 2.2 W/I
	L622		MAZAK® NOZZLE Ø 2.5 W/I
	L623		MAZAK® NOZZLE Ø 3.0 W/I
	L615X		MAZAK® NOZZLE Ø 1.0 CP W/I
	L616X		MAZAK® NOZZLE Ø 1.2 CP W/I
	L617X		MAZAK® NOZZLE Ø 1.5 CP W/I
	L618X		MAZAK® NOZZLE Ø 1.7 CP W/I
	L619X		MAZAK® NOZZLE Ø 1.8 CP W/I
	L620X		MAZAK® NOZZLE Ø 2.0 CP W/I
	L621X		MAZAK® NOZZLE Ø 2.2 CP W/I
	L622X		MAZAK® NOZZLE Ø 2.5 CP W/I
	L623X		MAZAK® NOZZLE Ø 3.0 CP W/I

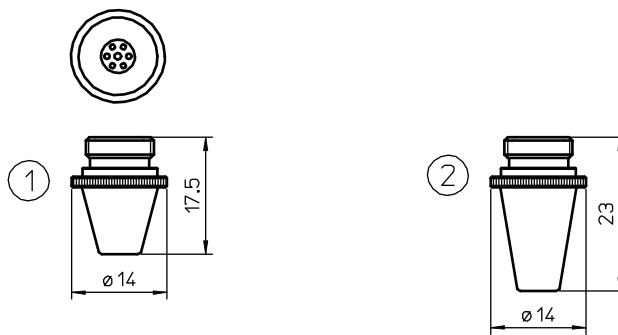
REPLACEMENT CO₂ LASER NOZZLES & ACCESSORIES



POS	II-VI p/n	OEM p/n	DESCRIPTION
1	L266	46603350521	MAZAK® NOZZLE Ø 0.8
	L250	46603350521	MAZAK® NOZZLE Ø 1.0
	L251	46603350521	MAZAK® NOZZLE Ø 1.2
	L252	46603350520	MAZAK® NOZZLE Ø 1.5
	L253	46603350521	MAZAK® NOZZLE Ø 1.7
	L254	46603350522	MAZAK® NOZZLE Ø 2.0
	L770	46603350522	MAZAK® NOZZLE Ø 2.5
	L771	46683301281	MAZAK® NOZZLE Ø 3.0
2	L725	46603350508	MAZAK® HEXAGONAL NOZZLE Ø 0.8
	L726	46603350511	MAZAK® HEXAGONAL NOZZLE Ø 1.0
	L727	4660335052A	MAZAK® HEXAGONAL NOZZLE Ø 1.2
	L728	4660335052B	MAZAK® HEXAGONAL NOZZLE Ø 1.5
	L729	46603350517	MAZAK® HEXAGONAL NOZZLE Ø 1.7
	L730	46603350517-1,8	MAZAK® HEXAGONAL NOZZLE Ø 1.8
	L731	4660335052C	MAZAK® HEXAGONAL NOZZLE Ø 2.0
	L732	46603350522-2,2	MAZAK® HEXAGONAL NOZZLE Ø 2.2
	L733	4660335052D	MAZAK® HEXAGONAL NOZZLE Ø 2.5
	L734	46603350530	MAZAK® HEXAGONAL NOZZLE Ø 3.0
	L735	46603350530-3,5	MAZAK® HEXAGONAL NOZZLE Ø 3.5
	L736	46603350530-4,0	MAZAK® HEXAGONAL NOZZLE Ø 4.0
	L737	46603350530-4,5	MAZAK® HEXAGONAL NOZZLE Ø 4.5

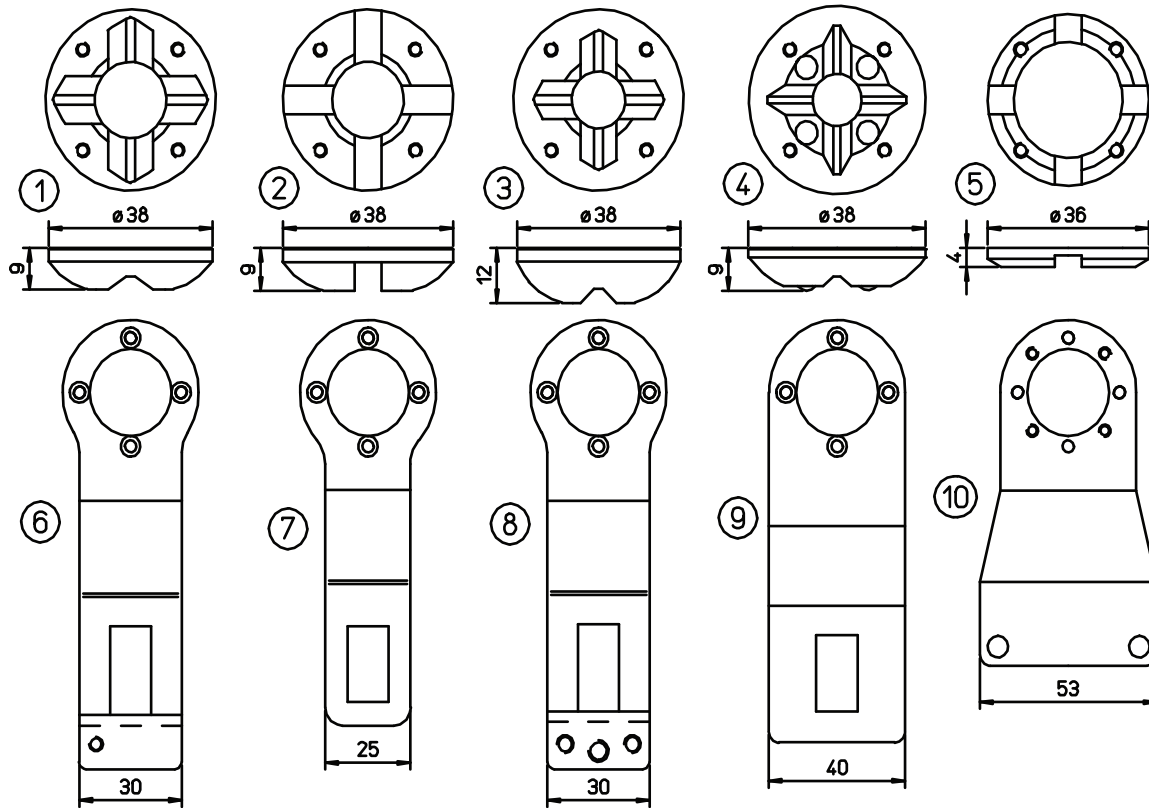
MAZAK

All original equipment manufacturer's names, drawings, colors, trademarks and part numbers are used for identification purposes only, and we are in no way implying that any of our products are original equipment parts. All parts advertised for sale in this catalog are made for and/or by II-VI Incorporated.



POS	II-VI p/n	OEM p/n	DESCRIPTION
1	L492	46603350523	MAZAK® NOZZLE Ø 1.0 SHOWER
	L493		MAZAK® NOZZLE Ø 1.5 SHOWER
2	L284		MAZAK® LONG NOZZLE Ø 2.0
	L285		MAZAK® LONG NOZZLE Ø 2.5
	L286		MAZAK® LONG NOZZLE Ø 3.0

REPLACEMENT CO₂ LASER NOZZLES & ACCESSORIES

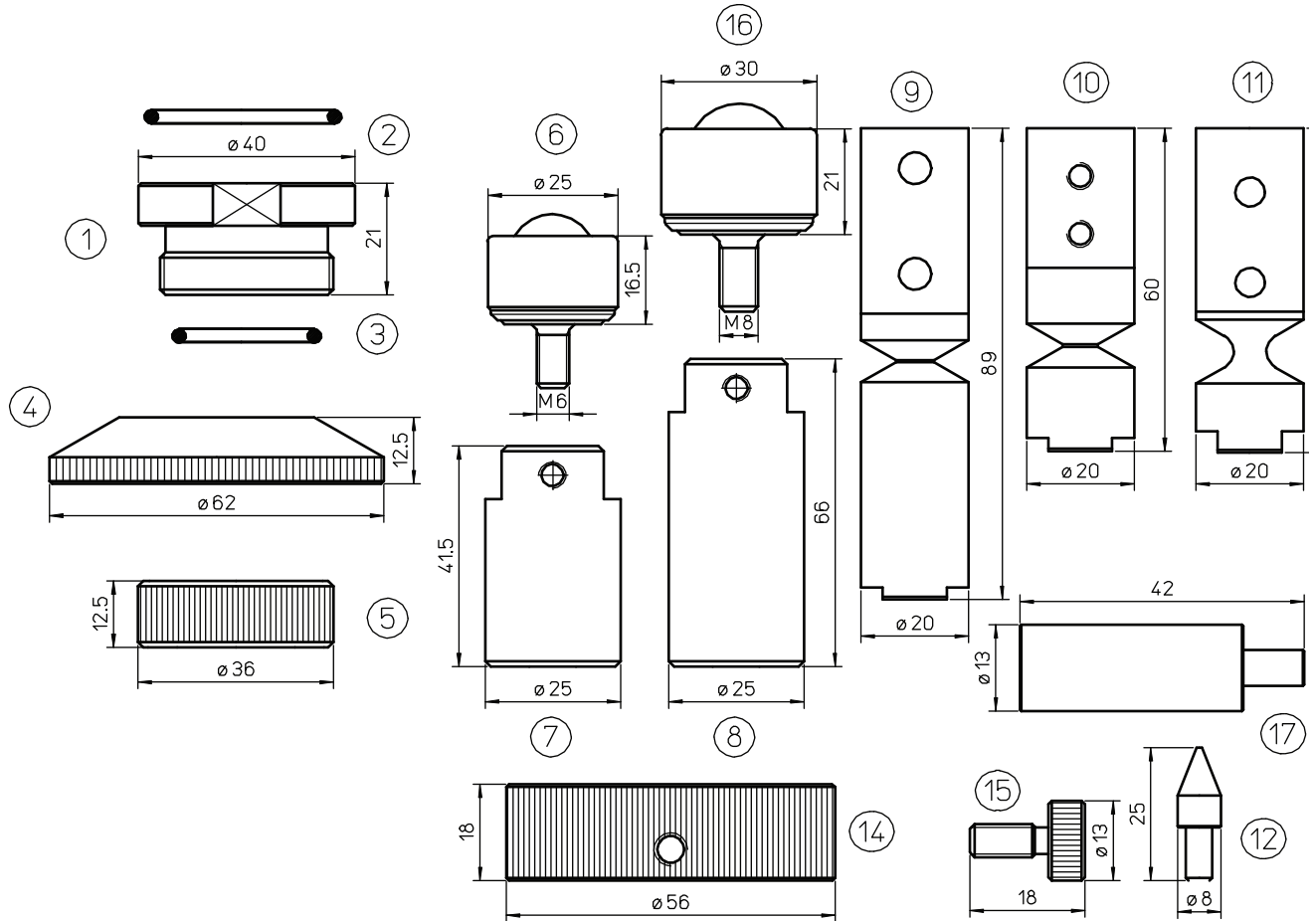


POS	II-VI p/n	OEM p/n	DESCRIPTION
1	AL10	46602350080	MAZAK® STYLUS FOOT H9 - BRASS
	AL145		MAZAK® STYLUS FOOT H9 - BRASS CP
	AL15	46572301043	MAZAK® STYLUS FOOT H9 - STEEL
	AL16	46572301045	MAZAK® STYLUS FOOT H9 - TEFLON
2	AL132		MAZAK® STYLUS FOOT H9 - BRASS
	AL146		MAZAK® STYLUS FOOT H9 - BRASS CP
	AL133		MAZAK® STYLUS FOOT H9 - STEEL
3	AL17	46572301041	MAZAK® STYLUS FOOT H12 - BRASS
	AL147		MAZAK® STYLUS FOOT H12 BRASS CP
	AL59	46572301042	MAZAK® STYLUS FOOT H12 - STEEL
	AL18	46572301041	MAZAK® STYLUS FOOT H12 - TEFLON
4	AL39		MAZAK® STYLUS FOOT H9-BRASS WITH SPHERE
5	AL117	46512300520	MAZAK® STYLUS FOOT H4 - BRASS
6	AL64		MAZAK® STYLUS ARM WITH SCREW M4
	AL66	36602300580	MAZAK® STYLUS ARM WITH SCREW M6
7	AL60	36602300560-36682300	MAZAK® STEEL STYLUS ARM
8	AL167	36682300281	MAZAK® STYLUS ARM - STEEL
9	AL168	36602350020	MAZAK® STYLUS ARM - HIGHER VERSION
10	AL169	46522300250	MAZAK® STYLUS ARM

MAZAK

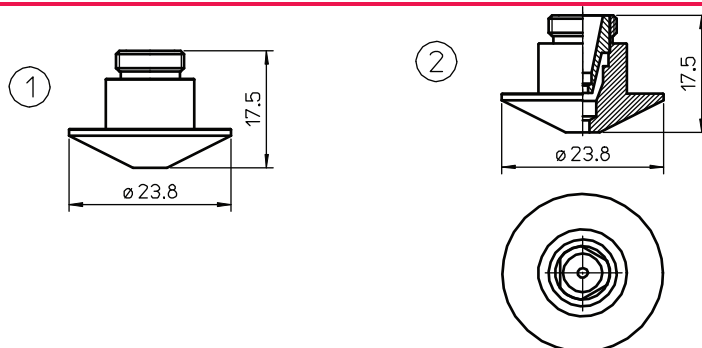
All original equipment manufacturer's names, drawings, colors, trademarks and part numbers are used for identification purposes only, and we are in no way implying that any of our products are original equipment parts. All parts advertised for sale in this catalog are made for and/or by II-VI Incorporated.





POS	II-VI p/n	OEM p/n	DESCRIPTION
1	AL63	46523300080	MAZAK® BASE
2	AL97	J2600S03200	MAZAK® O-RING EXTERNAL BASE - RUBBER
3	AL98	J2600S02200	MAZAK® O-RING INTERNAL BASE
4	AL57	46683300030	MAZAK® RETAINER
5	AL13	46583301720	MAZAK® RETAINER NUT
6	AL61	Z21KV000580	MAZAK® FREE BEAR
7	AL62	46575100321	MAZAK® BLOCK STAINLESS STEEL
8	AL134	46705100050	MAZAK® LONG BLOCK STAINLESS STEEL
9	AL12	36602300230	MAZAK® BREAK-AWAY BAR L89 - M8
10	AL14	36682300280	MAZAK® ALUMINIUM BREAK-AWAY BAR L60 - M8
11	AL121	36572300101	MAZAK® BREAK-AWAY BAR L61 - M6
12	AL20	46600030013	MAZAK® TABLE PIN - 5PC
14	AL153	46683300930	MAZAK® RING
15	AL152	46683300032	MAZAK® MILD STEEL BOLT M5 X 0.5
16	AL210	Z21ZZ001160	MAZAK® BIG FREE BALL
17	AL186	46522300242	MAZAK® STYLUS PIN

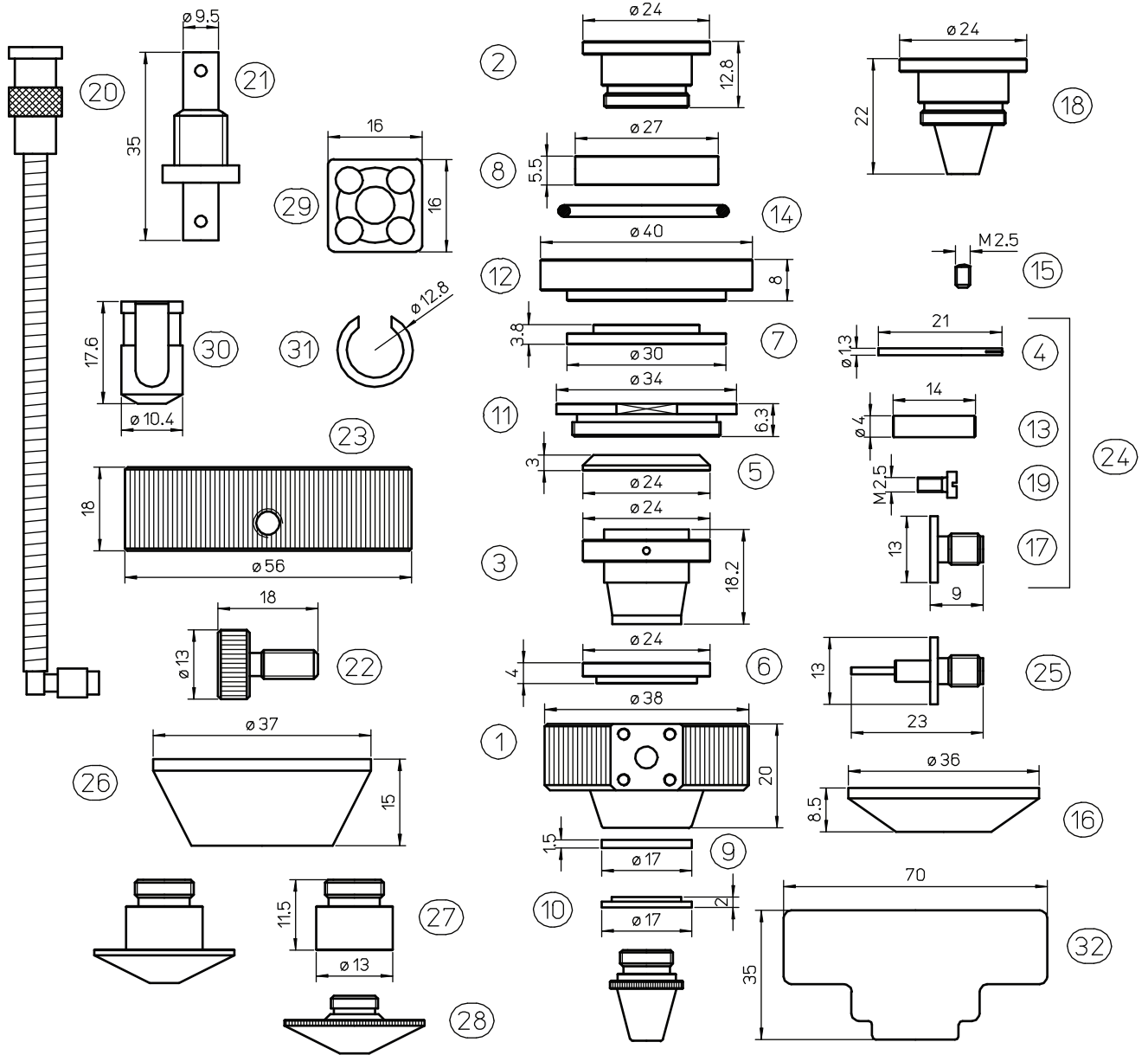
REPLACEMENT CO₂ LASER NOZZLES & ACCESSORIES



POS	II-VI p/n	OEM p/n	DESCRIPTION
1	L428		MAZAK® NOZZLE Ø 1.0
	L423		MAZAK® NOZZLE Ø 1.2
	L429	46683301950	MAZAK® NOZZLE Ø 1.5
	L430	46683301821	MAZAK® NOZZLE Ø 2.0
	L471		MAZAK® NOZZLE Ø 2.2
	L431	46683301960	MAZAK® NOZZLE Ø 2.5
	L432	46683301970	MAZAK® NOZZLE Ø 3.0
	L472		MAZAK® NOZZLE Ø 3.5
	L473		MAZAK® NOZZLE Ø 4.0
	L474		MAZAK® NOZZLE Ø 4.5
	L428X		MAZAK® NOZZLE Ø 1.0 CP
	L423X		MAZAK® NOZZLE Ø 1.2 CP
	L429X	46683301950	MAZAK® NOZZLE Ø 1.5 CP
	L430X	46683301821	MAZAK® NOZZLE Ø 2.0 CP
	L471X		MAZAK® NOZZLE Ø 2.2 CP
	L431X	46683301960	MAZAK® NOZZLE Ø 2.5 CP
	L432X	46683301970	MAZAK® NOZZLE Ø 3.0 CP
	L472X		MAZAK® NOZZLE Ø 3.5 CP
	L473X		MAZAK® NOZZLE Ø 4.0 CP
L474X		MAZAK® NOZZLE Ø 4.5 CP	
2	L850		MAZAK® DOUBLE NOZZLE Ø 1.0
	L851		MAZAK® DOUBLE NOZZLE Ø 1.2
	L852		MAZAK® DOUBLE NOZZLE Ø 1.5
	L858		MAZAK® DOUBLE NOZZLE Ø 1.8
	L853		MAZAK® DOUBLE NOZZLE Ø 2.0
	L849		MAZAK® DOUBLE NOZZLE Ø 2.2
	L854		MAZAK® DOUBLE NOZZLE Ø 2.5
	L855		MAZAK® DOUBLE NOZZLE Ø 3.0
	L856		MAZAK® DOUBLE NOZZLE Ø 3.5
	L850X		MAZAK® DOUBLE NOZZLE Ø 1.0 CP
	L851X		MAZAK® DOUBLE NOZZLE Ø 1.2 CP
	L852X		MAZAK® DOUBLE NOZZLE Ø 1.5 CP
	L858X		MAZAK® DOUBLE NOZZLE Ø 1.8 CP
	L853X		MAZAK® DOUBLE NOZZLE Ø 2.0 CP
	L849X		MAZAK® DOUBLE NOZZLE Ø 2.2 CP
	L854X		MAZAK® DOUBLE NOZZLE Ø 2.5 CP
	L855X		MAZAK® DOUBLE NOZZLE Ø 3.0 CP
	L856X		MAZAK® DOUBLE NOZZLE Ø 3.5 CP

MAZAK

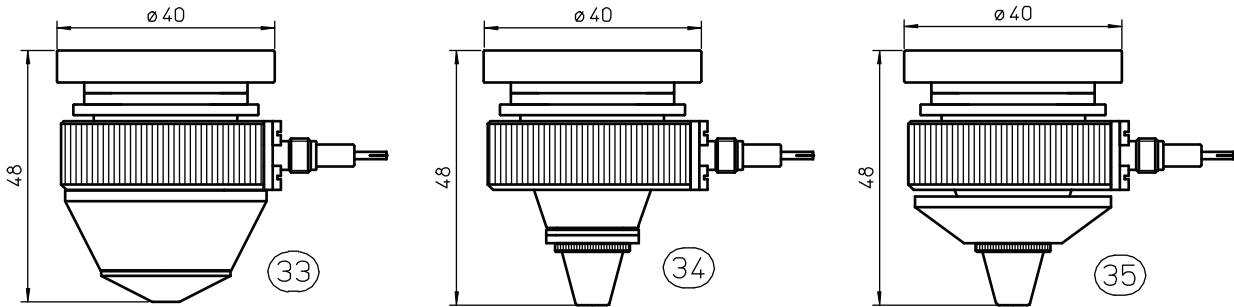
All original equipment manufacturer's names, drawings, colors, trademarks and part numbers are used for identification purposes only, and we are in no way implying that any of our products are original equipment parts. All parts advertised for sale in this catalog are made for and/or by II-VI Incorporated.



REPLACEMENT CO₂ LASER NOZZLES & ACCESSORIES

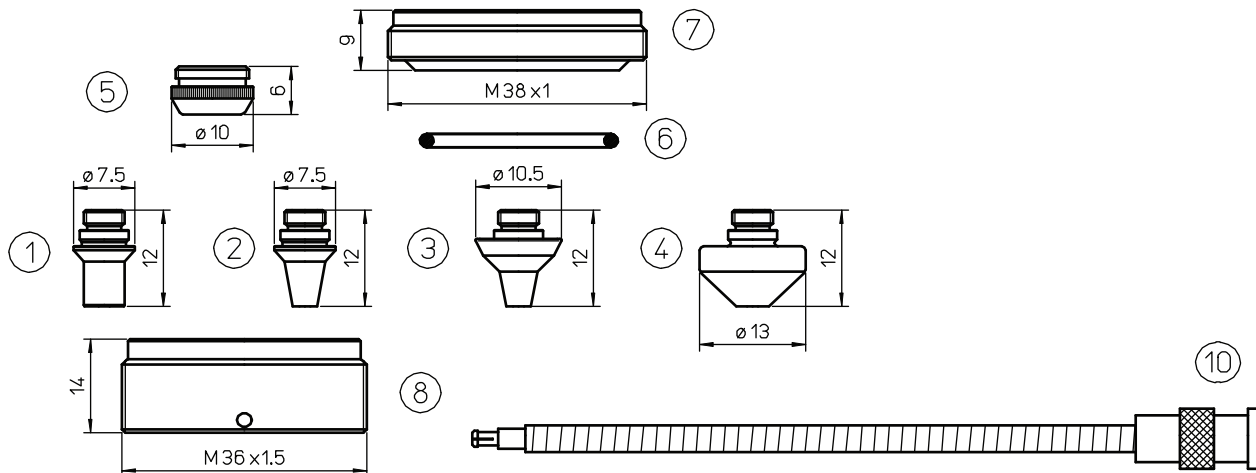
POS	II-VI p/n	OEM p/n	DESCRIPTION
1	AL73	46683301140	MAZAK® ALUMINIUM BODY
2	AL74	46683301110 or 46773300500	MAZAK® CENTRAL COPPER BODY
3	AL75	46683300850	MAZAK® COPPER NOZZLE HOLDER
4	AL76	46683301170	MAZAK® CONTACT
5	AL77	46683301120 or 46773300710	MAZAK® TEFLON SPACER 24x3
	AL77/P	46683301120 or 46773300710	MAZAK® SPECIAL SPACER 24x3 - PLASTIC
	AL277	46683301120	MAZAK® CERAMIC SPACER 24x3
6	AL78	46683301130	MAZAK® TEFLON SPACER 24x4
	AL78/P	46683301130	MAZAK® SPECIAL SPACER 24X4 - PLASTIC
	AL278	46683301130	MAZAK® CERAMIC SPACER 24x4
7	AL79	46683301090	MAZAK® TEFLON SPACER 30x4
	AL79/P	46683301090	MAZAK® SPECIAL SPACER 30X4 - PLASTIC
	AL279	46683301090	MAZAK® CERAMIC SPACER 30x4
8	AL80	46683301080	MAZAK® TEFLON SPACER 27x5.5
	AL80/P	46683301080	MAZAK® SPECIAL SPACER 27X5.5 - PLASTIC
	AL280	46683301080	MAZAK® CERAMIC SPACER 27x5.5
9	AL81	46683301150	MAZAK® TEFLON SPACER 17x1.5
10	AL82	46683301160	MAZAK® COPPER RING 17x2
11	AL83	46683301100	MAZAK® COPPER NUT
12	AL84	46683301070	MAZAK® BRASS BASE
13	AL88	46683300030	MAZAK® CONNECTING TEFLON PIPE
14	AL97	J2600S03200	MAZAK® O'RING EXTERNAL BASE - RUBBER
15	AL119	46683301180	MAZAK® SCREW FOR CONTACT
16	AL111	46683301930	MAZAK® TEFLON PROTECTION
	AL111/P	46683301930	MAZAK® SPECIAL PROTECTION - PLASTIC
17	AL113		MAZAK® CONNECTOR
18	AL112		MAZAK® CENTRAL COPPER BODY
19	AL127	46683300000	MAZAK® SCREW FOR CONNECTORS(4 PCS)
20	AL103	46683301980	MAZAK® CONNECTING CABLE FOR SENSOR HEAD 28mm
	AL103/S	46683301330	MAZAK® CONNECTING CABLE SENSOR HEAD 31mm
21	AL104		MAZAK® CABLE ADAPTER
22	AL152	46683300032	MAZAK® MILD STEEL BOLT M5 X 0.5
23	AL153	46683300930	MAZAK® RING
24	AL154	46683301170	MAZAK® KIT CONNECTOR (AL76-88-127-113)
25	AL213		MAZAK® CONNECTOR ASSEMBLY
26	AL118	46683301841	MAZAK® TEFLON SPACER
27	AL128	46683301830	MAZAK® ADAPTER FOR TRUMPF® NOZZLE
28			PLEASE REFER TO THE TRUMPF® NOZZLES SECTION
29	AL157	46683301850	MAZAK® CONNECTOR COVER - TEFLON
	AL157/P	46683301850	MAZAK® CONNECTOR COVER LONG LIFE - PLASTIC
30	AL156	46683301860	MAZAK® CABLE CONNECTOR COVER - TEFLON
	AL156/P	46683301860	MAZAK® CABLE CONNECTOR COVER LONG LIFE PLASTIC
31	AL155	46683301870	MAZAK® COVER CLIPS - TEFLON
32	AL165	46683301230	MAZAK® PLATE

All original equipment manufacturer's names, drawings, colors, trademarks and part numbers are used for identification purposes only, and we are in no way implying that any of our products are original equipment parts. All parts advertised for sale in this catalog are made for and/or by II-VI Incorporated.



POS	II-VI p/n	OEM p/n	DESCRIPTION
33	TMA10		MAZAK® HEAD W/TEFLON SPACER
	TMA10/P		MAZAK® HEAD W/LONG LIFE SPACER
	TMA10/C		MAZAK® HEAD W/CERAMIC SPACER
34	TMA20		MAZAK® HEAD W/TEFLON SPACER
	TMA20/P		MAZAK® HEAD W/LONG LIFE SPACER
	TMA20/C		MAZAK® HEAD W/CERAMIC SPACER
35	TMA30		MAZAK® HEAD W/TEFLON SPACER
	TMA30/P		MAZAK® HEAD W/LONG LIFE SPACER
	TMA30/C		MAZAK® HEAD W/CERAMIC SPACER

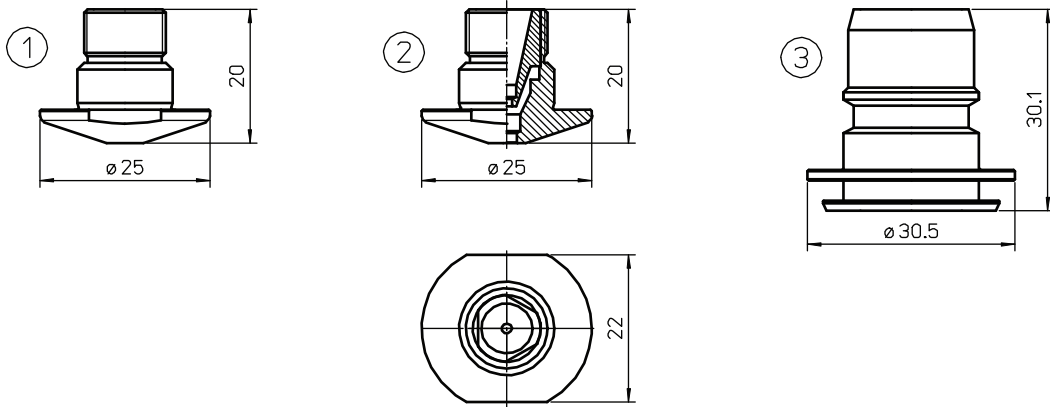
REPLACEMENT CO₂ LASER NOZZLES & ACCESSORIES



POS	II-VI p/n	OEM p/n	DESCRIPTION
1	L480	281005-P0352-323-00010	MAZAK® NOZZLE Ø 1.0 ZK
	L481	281034-P0352-324-00012	MAZAK® NOZZLE Ø 1.2 ZK
	L482	281013-P0352-325-00015	MAZAK® NOZZLE Ø 1.5 ZK
	L483	280899-P0352-326-00018	MAZAK® NOZZLE Ø 1.8 ZK
	L484	350044.3-P0352-327-00020	MAZAK® NOZZLE Ø 2.0 ZK
2	L486	281006-P0352-333-00010	MAZAK® NOZZLE Ø 1.0 KK
	L487	281030-P0352.334.00012	MAZAK® NOZZLE Ø 1.2 KK
	L488	281031-P0352.335.00015	MAZAK® NOZZLE Ø 1.5 KK
	L489	280898-P0352.336.00018	MAZAK® NOZZLE Ø 1.8 KK
	L490	P0352.336.00020	MAZAK® NOZZLE Ø 2.0 KK
3	L554	46713300290-10	MAZAK® NOZZLE 3D Ø 1.0
	L555	46713300290-12	MAZAK® NOZZLE 3D Ø 1.2
	L556	46713300290-15-P0352-381-00015	MAZAK® NOZZLE 3D Ø 1.5
	L557		MAZAK® NOZZLE 3D Ø 1.8
	L558	46713300310-P0352-382-00020	MAZAK® NOZZLE 3D Ø 2.0
	L560	46713300280-25	MAZAK® NOZZLE 3D Ø 2.5
	L563	46713300280-30	MAZAK® NOZZLE 3D Ø 3.0
	L564	46713300280-35	MAZAK® NOZZLE 3D Ø 3.5
4	L576		MAZAK® NOZZLE Ø INT 1.0 EST 13
	L577	46713300310	MAZAK® NOZZLE Ø INT 1.2 EST 13
	L578	P0352-386-00015	MAZAK® NOZZLE Ø INT 1.5 EST 13
	L579		MAZAK® NOZZLE Ø INT 1.8 EST 13
	L580	46713300300-P0352-387-00020	MAZAK® NOZZLE Ø INT 2.0 EST 13
	L581	46713300300-25	MAZAK® NOZZLE Ø INT 2.5 EST 13
	L582	46713300300-30	MAZAK® NOZZLE Ø INT 3.0 EST 13
5	AL160	46713300321-P0352-311-00001	MAZAK® VESPEL NUT - SPACE GEAR
6	AL94	71366453	AMADA® O-RING FOR NOZZLE OUTER-10 PCS
7	AL198	PO492-702-00001 - 49270200001	PRECITEC® INSULATING RING - plastic
8	AL218	46713330200	MAZAK® 5-AXIS INSULATOR
10	AL204	PO360-100-00500	PRECITEC® ORIG. SENSOR CABLE KE 500 Z

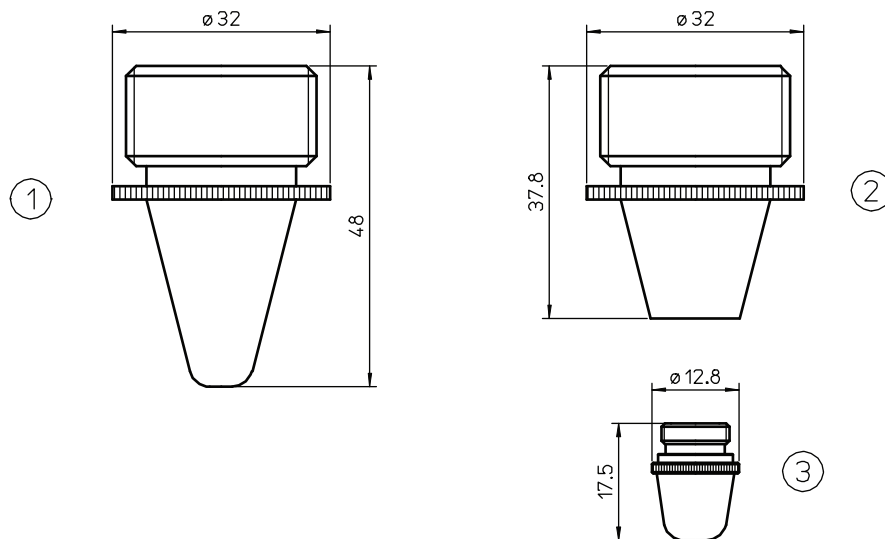
MAZAK

All original equipment manufacturer's names, drawings, colors, trademarks and part numbers are used for identification purposes only, and we are in no way implying that any of our products are original equipment parts. All parts advertised for sale in this catalog are made for and/or by II-VI Incorporated.



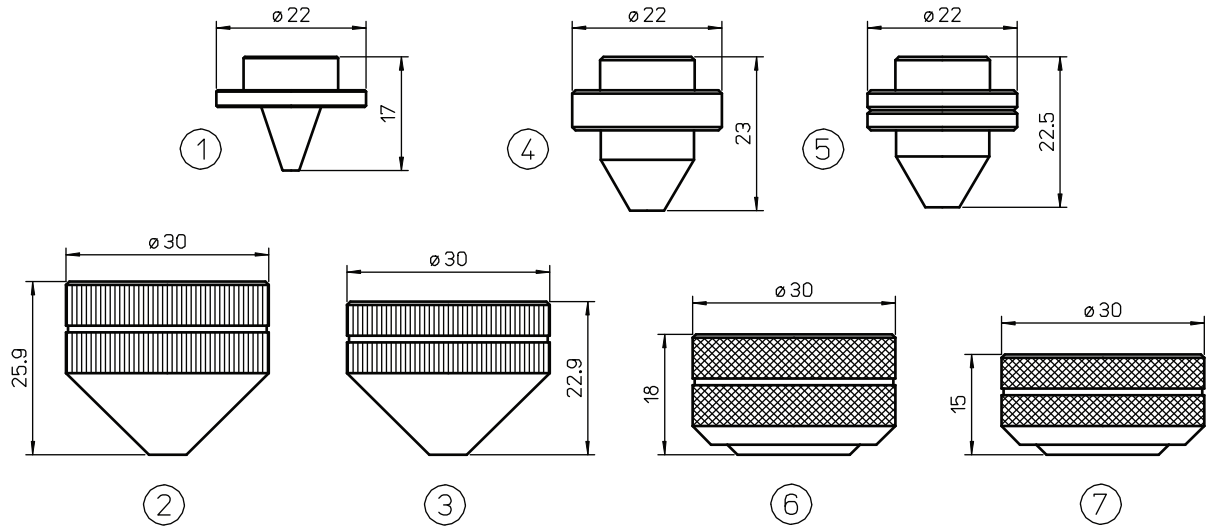
POS	II-VI p/n	OEM p/n	DESCRIPTION
1	L942X		MAZAK® NOZZLE Ø 1.2 CP
	L943X	46143304450	MAZAK® NOZZLE Ø 1.5 CP
	L944X	46143304460	MAZAK® NOZZLE Ø 2.0 CP
	L945X	46143304480	MAZAK® NOZZLE Ø 2.5 CP
	L946X	46143304490	MAZAK® NOZZLE Ø 3.0 CP
	L947X	46143304500	MAZAK® NOZZLE Ø 3.5 CP
	L948X		MAZAK® NOZZLE Ø 4.0 CP
2	L952X		MAZAK® DOUBLE NOZZLE Ø 1.2 CP
	L953X		MAZAK® DOUBLE NOZZLE Ø 1.5 CP
	L954X		MAZAK® DOUBLE NOZZLE Ø 2.0 CP
	L955X		MAZAK® DOUBLE NOZZLE Ø 2.5 CP
	L956X		MAZAK® DOUBLE NOZZLE Ø 3.0 CP
	L957X		MAZAK® DOUBLE NOZZLE Ø 3.5 CP
	L958X		MAZAK® DOUBLE NOZZLE Ø 4.0 CP
3	AL242		MAZAK® NOZZLE HOLDER HYPER GEAR

REPLACEMENT CO₂ LASER NOZZLES & ACCESSORIES



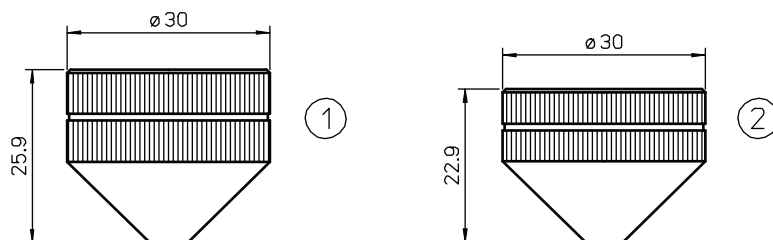
POS	II-VI p/n	OEM p/n	DESCRIPTION
1	L271	72252282	MESSER G.® NOZZLE Ø 0.8
	L272	72252281	MESSER G.® NOZZLE Ø 1.0
	L273	72252280	MESSER G.® NOZZLE Ø 1.2
	L274	72252192	MESSER G.® NOZZLE Ø 1.4
	L275	72252190	MESSER G.® NOZZLE Ø 1.6
	L276	72252191	MESSER G.® NOZZLE Ø 1.8
	L334	72253911	MESSER G.® NOZZLE Ø 2.0
	L335	72253912	MESSER G.® NOZZLE Ø 2.2
	L336	72253916	MESSER G.® NOZZLE Ø 2.4
	L337	72254459	MESSER G.® NOZZLE Ø 3.0
	2	AL110	
3	L340		MESSER G.® NOZZLE Ø 0.8
	L341		MESSER G.® NOZZLE Ø 1.0
	L342		MESSER G.® NOZZLE Ø 1.2
	L343		MESSER G.® NOZZLE Ø 1.4
	L344		MESSER G.® NOZZLE Ø 1.6
	L345		MESSER G.® NOZZLE Ø 1.8
	L346		MESSER G.® NOZZLE Ø 2.0
	L347		MESSER G.® NOZZLE Ø 2.2
	L348		MESSER G.® NOZZLE Ø 2.4
	L349		MESSER G.® NOZZLE Ø 3.0

All original equipment manufacturer's names, drawings, colors, trademarks and part numbers are used for identification purposes only, and we are in no way implying that any of our products are original equipment parts. All parts advertised for sale in this catalog are made for and/or by II-VI Incorporated.



POS	II-VI p/n	OEM p/n	DESCRIPTION
1	L288	W390	MITSUBISHI® DOUBLE NOZZLE INSERT 4 HOLE
	L835	W270-6	MITSUBISHI® DOUBLE NOZZLE INSERT 6 HOLE
	L280	W270	MITSUBISHI® DOUBLE NOZZLE INSERT 8 HOLE
	L289	W387	MITSUBISHI® DOUBLE NOZZLE INSERT 12 HOLE
	L290	W388	MITSUBISHI® DOUBLE NOZZLE INSERT 16 HOLE
	L836	W389	MITSUBISHI® DOUBLE NOZZLE INSERT 20 HOLE
	L291	W515	MITSUBISHI® DOUBLE NOZZLE INSERT 24 HOLE
2	AL65	W269	MITSUBISHI® SHIELD CUP
3	AL238	P0593-860-00001	MITSUBISHI® SHIELD CUP SHORT
4	L354		MITSUBISHI® NOZZLE Ø 1.0
	L363	W777	MITSUBISHI® NOZZLE Ø 1.2
	L355	W266	MITSUBISHI® NOZZLE Ø 1.5
	L356	W267	MITSUBISHI® NOZZLE Ø 2.0
	L357	W776	MITSUBISHI® NOZZLE Ø 2.5
	L358	W268	MITSUBISHI® NOZZLE Ø 3.0
	L359	W268-3.5	MITSUBISHI® NOZZLE Ø 3.5
5	L965		MITSUBISHI® NOZZLE Ø1.0
	L966		MITSUBISHI® NOZZLE Ø 1.2
	L967		MITSUBISHI® NOZZLE Ø 1.5
	L968		MITSUBISHI® NOZZLE Ø 2.0
	L969		MITSUBISHI® NOZZLE Ø 2.5
6	AL116	W263	MITSUBISHI® NOZZLE NUT
7	AL240		MITSUBISHI® NOZZLE NUT SHORT

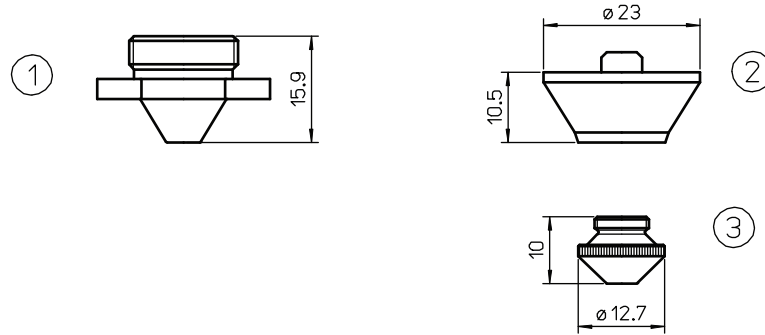
REPLACEMENT CO₂ LASER NOZZLES & ACCESSORIES



POS	II-VI p/n	OEM p/n	DESCRIPTION
1	L398	W1249	mitsubishi® SHIELD NOZZLE Ø 1.0
	L397	W1256	mitsubishi® SHIELD NOZZLE Ø 1.2
	L399	W1250	mitsubishi® SHIELD NOZZLE Ø 1.5
	L702	W1251	mitsubishi® SHIELD NOZZLE Ø 2.0
	L703	W1252	mitsubishi® SHIELD NOZZLE Ø 2.5
	L704	W1253	mitsubishi® SHIELD NOZZLE Ø 3.0
	L705	W1254	mitsubishi® SHIELD NOZZLE Ø 3.5
	L706	W1255	mitsubishi® SHIELD NOZZLE Ø 4.0
2	L910	W1626	mitsubishi® SHIELD NOZZLE Ø 1.0 SHORT
	L911	W1627	mitsubishi® SHIELD NOZZLE Ø 1.2 SHORT
	L912	W1628	mitsubishi® SHIELD NOZZLE Ø 1.5 SHORT
	L913	W1629	mitsubishi® SHIELD NOZZLE Ø 2.0 SHORT
	L914	W1630	mitsubishi® SHIELD NOZZLE Ø 2.5 SHORT
	L915	W1664	mitsubishi® SHIELD NOZZLE Ø 3.0 SHORT
	L916	W1665	mitsubishi® SHIELD NOZZLE Ø 3.5 SHORT
	L917	W1666	mitsubishi® SHIELD NOZZLE Ø 4.0 SHORT

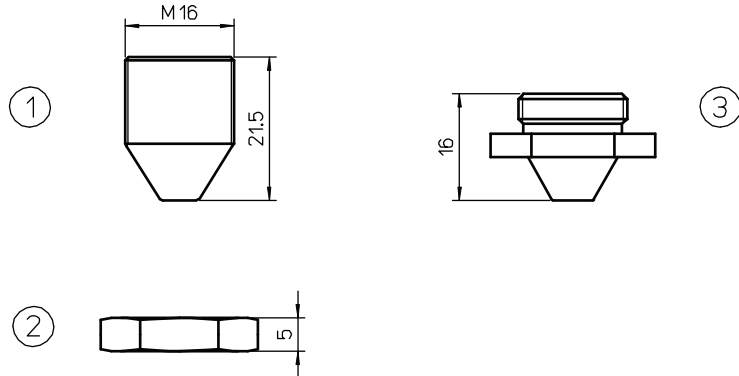
mitsubishi

All original equipment manufacturer's names, drawings, colors, trademarks and part numbers are used for identification purposes only, and we are in no way implying that any of our products are original equipment parts. All parts advertised for sale in this catalog are made for and/or by II-VI Incorporated.



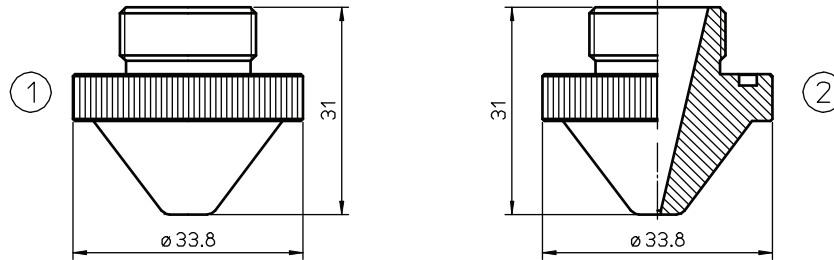
POS	II-VI p/n	OEM p/n	DESCRIPTION
1	L548		MITSUBISHI® NOZZLE Ø 1.0
	L549	W001	MITSUBISHI® NOZZLE Ø 1.5
	L550	W002	MITSUBISHI® NOZZLE Ø 2.0
	L551	W004	MITSUBISHI® NOZZLE Ø 2.5
	L552	W003	MITSUBISHI® NOZZLE Ø 3.0
2	AL138	281079-P0492-430-00003-W149	PRECITEC® ORIG. NOZZLE HOLDER KT M1.5 S F2.5
3	L400	280013-P0492-441-00008	PRECITEC® FP NOZZLE Ø 0.8
	L401	280014-P0492-442-00010-W223	PRECITEC® FP NOZZLE Ø 1.0
	L402	280015-P0492-443-00012	PRECITEC® FP NOZZLE Ø 1.2
	L403	280016-P0492-444-00015-W224	PRECITEC® FP NOZZLE Ø 1.5
	L543	P0492-447-00018	PRECITEC® FP NOZZLE Ø 1.8
	L544	280937-P0492-445-00020-W225	PRECITEC® FP NOZZLE Ø 2.0
	L546	P0492-448-00023	PRECITEC® FP NOZZLE Ø 2.3
	L545	281791-P0492-446-00025-W226	PRECITEC® FP NOZZLE Ø 2.5
	L547		PRECITEC® FP NOZZLE Ø 3.0

REPLACEMENT CO₂ LASER NOZZLES & ACCESSORIES



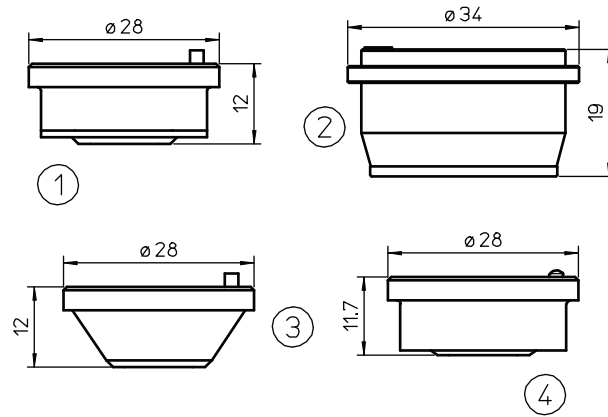
POS	II-VI p/n	OEM p/n	DESCRIPTION
1	L66	P26-71270-60-1.0	MURATA W.® NOZZLE Ø 1.0
	L125	P26-71270-60-1.4	MURATA W.® NOZZLE Ø 1.4
	L279	P26-71270-60-1.5	MURATA W.® NOZZLE Ø 1.5
2	AL46		MURATA W.® RETAINER NUT
3	L309	P37-71110-039-1,0	MURATA W.® NOZZLE Ø 1.0
	L460	P37-71110-039-1,2	MURATA W.® NOZZLE Ø 1.2
	L310	P37-71110-039-1,5	MURATA W.® NOZZLE Ø 1.5
	L311	P37-71110-039-2,0	MURATA W.® NOZZLE Ø 2.0
	L314	P37-71110-039-2,5	MURATA W.® NOZZLE Ø 2.5

All original equipment manufacturer's names, drawings, colors, trademarks and part numbers are used for identification purposes only, and we are in no way implying that any of our products are original equipment parts. All parts advertised for sale in this catalog are made for and/or by II-VI Incorporated.

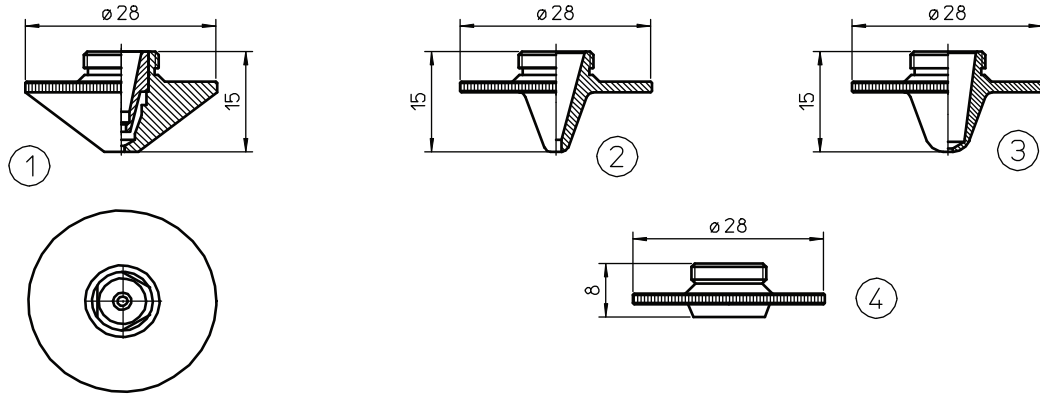


POS	II-VI p/n	OEM p/n	DESCRIPTION
1	L454		BEYELER® NOZZLE Ø 1.0
	L455		BEYELER® NOZZLE Ø 1.2
	L456		BEYELER® NOZZLE Ø 1.5
	L457		BEYELER® NOZZLE Ø 2.0
	L458		BEYELER® NOZZLE Ø 2.5
	L459		BEYELER® NOZZLE Ø 3.0
2	L973		BEYELER® NOZZLE WITH GROOVE Ø 1.0
	L974		BEYELER® NOZZLE WITH GROOVE Ø 1.2
	L975		BEYELER® NOZZLE WITH GROOVE Ø 1.5
	L976		BEYELER® NOZZLE WITH GROOVE Ø 2.0
	L977		BEYELER® NOZZLE WITH GROOVE Ø 2.5
	L978		BEYELER® NOZZLE WITH GROOVE Ø 3.0

REPLACEMENT CO₂ LASER NOZZLES & ACCESSORIES

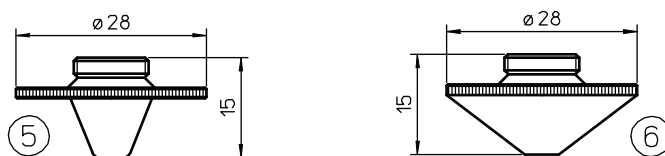


POS	II-VI p/n	OEM p/n	DESCRIPTION
1	AL23	281330-P0571-260-00001	PRECITEC® ORIG. NOZZLE HOLDER KT B2
	AL109	281330-P0571-260-00001	PRECITEC® NOZZLE HOLDER KT B2 - 281330
2	AL228		CR® CERAMIC PART
3	AL140	281795-P0571-255-00001	PRECITEC® ORIG. NOZZLE HOLDER KT B2" H
4	AL141	281518-PO571-265-00001	PRECITEC® ORIG. NOZZLE HOLDER IT B2" Z



POS	II-VI p/n	OEM p/n	DESCRIPTION
1	L660		PRECITEC® NOZZLE Ø 1.0 W/I
	L661		PRECITEC® NOZZLE Ø 1.25 W/I
	L662		PRECITEC® NOZZLE Ø 1.5 W/I
	L663		PRECITEC® NOZZLE Ø 1.8 W/I
	L664		PRECITEC® NOZZLE Ø 2.0 W/I
	L665		PRECITEC® NOZZLE Ø 2.3 W/I
	L666		PRECITEC® NOZZLE Ø 2.5 W/I
	L667		PRECITEC® NOZZLE Ø 3.0 W/I
	L668		PRECITEC® NOZZLE Ø 3.5 W/I
	L660X		PRECITEC® NOZZLE Ø 1.0 CP W/I
	L661X		PRECITEC® NOZZLE Ø 1.25 CP W/I
	L662X		PRECITEC® NOZZLE Ø 1.5 CP W/I
	L663X		PRECITEC® NOZZLE Ø 1.8 CP W/I
	L664X		PRECITEC® NOZZLE Ø 2.0 CP W/I
	L665X		PRECITEC® NOZZLE Ø 2.3 CP W/I
	L666X		PRECITEC® NOZZLE Ø 2.5 CP W/I
L667X		PRECITEC® NOZZLE Ø 3.0 CP W/I	
L668X		PRECITEC® NOZZLE Ø 3.5 CP W/I	
2	L738		PRECITEC® NOZZLE Ø 1.0 HD
	L739		PRECITEC® NOZZLE Ø 1.25 HD
	L740		PRECITEC® NOZZLE Ø 1.5 HD
3	L792		PRECITEC® NOZZLE Ø 0.8
	L793		PRECITEC® NOZZLE Ø 1.0
	L794		PRECITEC® NOZZLE Ø 1.25
	L742		PRECITEC® NOZZLE Ø 1.5
	L743		PRECITEC® NOZZLE Ø 1.8
	L744		PRECITEC® NOZZLE Ø 2.0
4	AL43		PRECITEC® ADAPTER FOR TRUMPF® NOZZLE

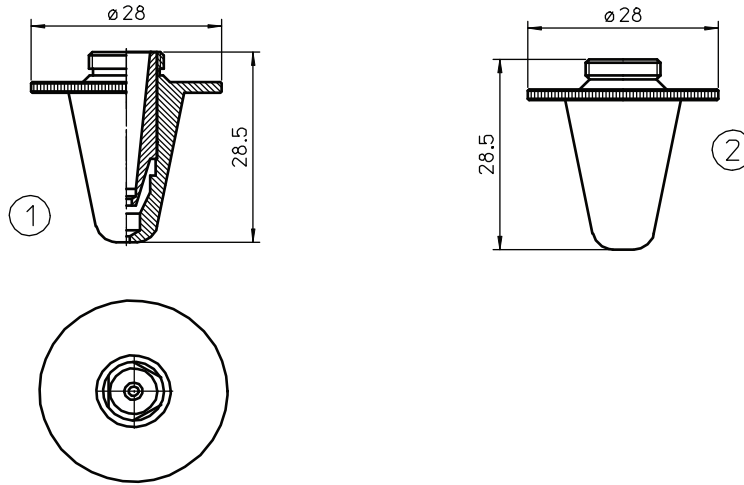
REPLACEMENT CO₂ LASER NOZZLES & ACCESSORIES



POS	II-VI p/n	OEM p/n	DESCRIPTION
5	L247	281590-P0591-569-00008	PRECITEC® NOZZLE Ø 0.8
	L162	281331-P0591-561-00010	PRECITEC® NOZZLE Ø 1.0
	L130	281351-P0591-562-00012	PRECITEC® NOZZLE Ø 1.25
	L131	281352-P0591-563-00015	PRECITEC® NOZZLE Ø 1.5
	L248		PRECITEC® NOZZLE Ø 1.7
	L153	281352-P0591-564-00018	PRECITEC® NOZZLE Ø 1.8
	L132	281354-P591-565-00020	PRECITEC® NOZZLE Ø 2.0
	L154		PRECITEC® NOZZLE Ø 2.3
	L155	281591-P0591-566-00025	PRECITEC® NOZZLE Ø 2.5
	L156		PRECITEC® NOZZLE Ø 3.0
	L247X	281590-P0591-569-00008	PRECITEC® NOZZLE Ø 0.8 CP
	L162X	281331-P0591-561-00010	PRECITEC® NOZZLE Ø 1.0 CP
	L130X	281351-P0591-562-00012	PRECITEC® NOZZLE Ø 1.25 CP
	L131X	281352-P0591-563-00015	PRECITEC® NOZZLE Ø 1.5 CP
	L248X		PRECITEC® NOZZLE Ø 1.7 CP
	L153X	281352-P0591-564-00018	PRECITEC® NOZZLE Ø 1.8 CP
	L132X	281354-P591-565-00020	PRECITEC® NOZZLE Ø 2.0 CP
L154X		PRECITEC® NOZZLE Ø 2.3 CP	
L155X	281591-P0591-566-00025	PRECITEC® NOZZLE Ø 2.5 CP	
L156X		PRECITEC® NOZZLE Ø 3.0 CP	
6	L234	281548-P0591-571-00010	PRECITEC® NOZZLE Ø 1.0 HD
	L235	281549-P0591-572-00012	PRECITEC® NOZZLE Ø 1.25 HD
	L236	281463-P0591-573-00015	PRECITEC® NOZZLE Ø 1.5 HD
	L237		PRECITEC® NOZZLE Ø 1.8 HD
	L238	281550-P0591-575-00020	PRECITEC® NOZZLE Ø 2.0 HD
	L239		PRECITEC® NOZZLE Ø 2.3 HD
	L240	281551-P0591-576-00025	PRECITEC® NOZZLE Ø 2.5 HD
	L241		PRECITEC® NOZZLE Ø 3.0 HD
	L234X	281548-P0591-571-00010	PRECITEC® NOZZLE Ø 1.0 HD CP
	L235X	281549-P0591-572-00012	PRECITEC® NOZZLE Ø 1.25 HD CP
	L236X	281463-P0591-573-00015	PRECITEC® NOZZLE Ø 1.5 HD CP
	L237X		PRECITEC® NOZZLE Ø 1.8 HD CP
	L238X	281550-P0591-575-00020	PRECITEC® NOZZLE Ø 2.0 HD CP
	L239X		PRECITEC® NOZZLE Ø 2.3 HD CP
	L240X	281551-P0591-576-00025	PRECITEC® NOZZLE Ø 2.5 HD CP
	L241X		PRECITEC® NOZZLE Ø 3.0 HD CP

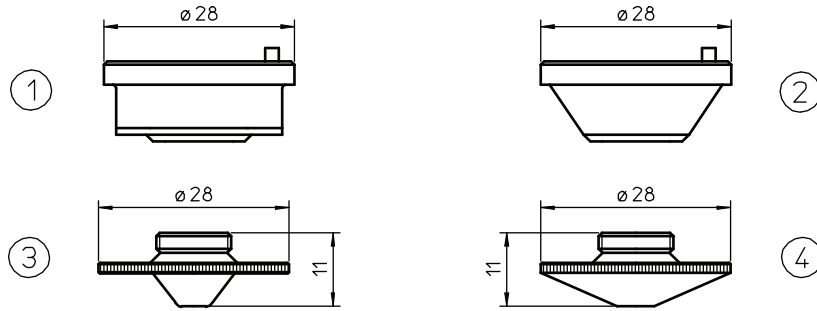
PRECITEC

All original equipment manufacturer's names, drawings, colors, trademarks and part numbers are used for identification purposes only, and we are in no way implying that any of our products are original equipment parts. All parts advertised for sale in this catalog are made for and/or by II-VI Incorporated.



POS	II-VI p/n	OEM p/n	DESCRIPTION
1	L680		PRECITEC® NOZZLE Ø 1.0 LONG W/I
	L681		PRECITEC® NOZZLE Ø 1.25 LONG W/I
	L682		PRECITEC® NOZZLE Ø 1.5 LONG W/I
	L683		PRECITEC® NOZZLE Ø 1.8 LONG W/I
	L684		PRECITEC® NOZZLE Ø 2.0 LONG W/I
	L685		PRECITEC® NOZZLE Ø 2.3 LONG W/I
	L686		PRECITEC® NOZZLE Ø 2.5 LONG W/I
	L687		PRECITEC® NOZZLE Ø 3.0 LONG W/I
	L688		PRECITEC® NOZZLE Ø 3.5 LONG W/I
2	L308	P0573-563-00010	PRECITEC® NOZZLE Ø 1.0 LONGED
	L307	P0573-563-00012	PRECITEC® NOZZLE Ø 1.25 LONGED
	L382	P0573-563-00015	PRECITEC® NOZZLE Ø 1.5 LONGED
	L383		PRECITEC® NOZZLE Ø 1.8 LONGED
	L437	P0573-564-00020	PRECITEC® NOZZLE Ø 2.0 LONGED
	L438	P0573-565-00023	PRECITEC® NOZZLE Ø 2.3 LONGED
	L439	P0573-566-00025	PRECITEC® NOZZLE Ø 2.5 LONGED
	L440		PRECITEC® NOZZLE Ø 3.0 LONGED

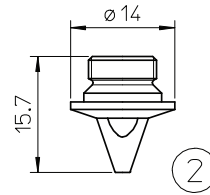
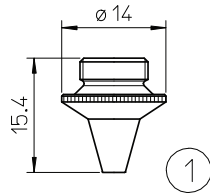
REPLACEMENT CO₂ LASER NOZZLES & ACCESSORIES



POS	II-VI p/n	OEM p/n	DESCRIPTION
1	AL23	281330-P0571-260-00001	PRECITEC® ORIG. NOZZLE HOLDER KT B2
	AL109	281330-P0571-260-00001	PRECITEC® NOZZLE HOLDER KT B2 - 281330
2	AL140	281795-P0571-255-00001	PRECITEC® ORIG. NOZZLE HOLDER KT B2" H
3	L410	281340-P0571-281-00010	PRECITEC® NOZZLE Ø 1.0
	L411	281341-P0571-282-00012	PRECITEC® NOZZLE Ø 1.2
	L412	281342-P0571-283-00015	PRECITEC® NOZZLE Ø 1.5
	L413	281342-P0571-284-00018	PRECITEC® NOZZLE Ø 1.8
	L414	281343-P0571-285-00020	PRECITEC® NOZZLE Ø 2.0
	L415	281344-P0571-286-00025	PRECITEC® NOZZLE Ø 2.5
4	L465	281599-P0571-291-00010	PRECITEC® NOZZLE Ø 1.0
	L466	P0571-292-00012	PRECITEC® NOZZLE Ø 1.2
	L467	281570-P0571-293-00015	PRECITEC® NOZZLE Ø 1.5
	L468		PRECITEC® NOZZLE Ø 1.8
	L469	281571-P0571-295-00020	PRECITEC® NOZZLE Ø 2.0
	L470	281572-P0571-297-00025	PRECITEC® NOZZLE Ø 2.5

PRECITEC

All original equipment manufacturer's names, drawings, colors, trademarks and part numbers are used for identification purposes only, and we are in no way implying that any of our products are original equipment parts. All parts advertised for sale in this catalog are made for and/or by II-VI Incorporated.



POS	II-VI p/n	OEM p/n	DESCRIPTION

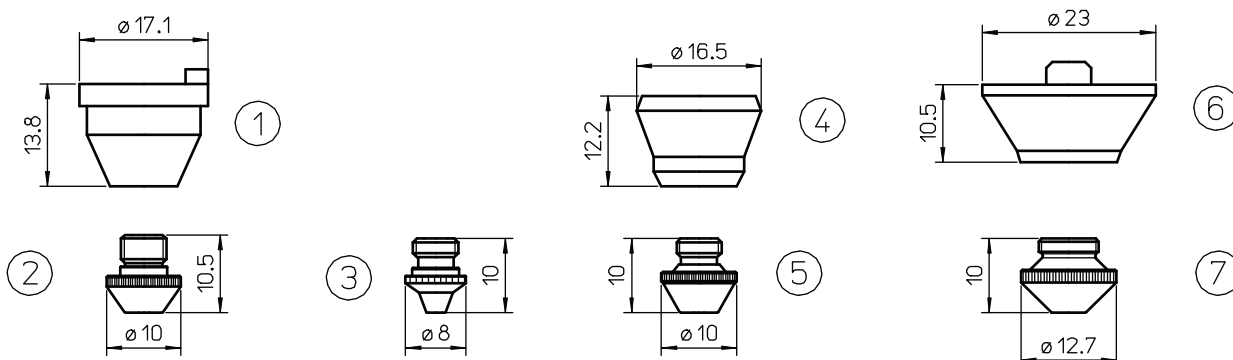
AKK52 - AKH27 - YH27 - YR30 SENSOR SYSTEM

1	L405	281813-P0589-424-00008	PRECITEC® NOZZLE Ø 0.8
	L406	281789-P0589-426-00010	PRECITEC® NOZZLE Ø 1.0
	L404	281561 - 778550	PRECITEC® NOZZLE Ø 1.2
	L407	281814 - 149957	PRECITEC® NOZZLE Ø 1.5
	L408	P0589-428-00020	PRECITEC® NOZZLE Ø 2.0
	L405X	281813-P0589-424-00008	PRECITEC® NOZZLE Ø 0.8 CP
	L406X	281789-P0589-426-00010	PRECITEC® NOZZLE Ø 1.0 CP
	L404X	281561 - 778550	PRECITEC® NOZZLE Ø 1.2 CP
	L407X	281814 - 149957	PRECITEC® NOZZLE Ø 1.5 CP
	L408X	P0589-428-00020	PRECITEC® NOZZLE Ø 2.0 CP

YK52 SENSOR SYSTEM

2	L800	281498-PO587-722-00010	PRECITEC® NOZZLE Ø 1.0
	L801	PO587-723-00012	PRECITEC® NOZZLE Ø 1.2
	L802	281497-PO587-721-00015	PRECITEC® NOZZLE Ø 1.5
	L803	281516-PO587-737-00018	PRECITEC® NOZZLE Ø 1.8
	L804	281567-PO587-771-00020	PRECITEC® NOZZLE Ø 2.0
	L805	PO587-772-00025	PRECITEC® NOZZLE Ø 2.5

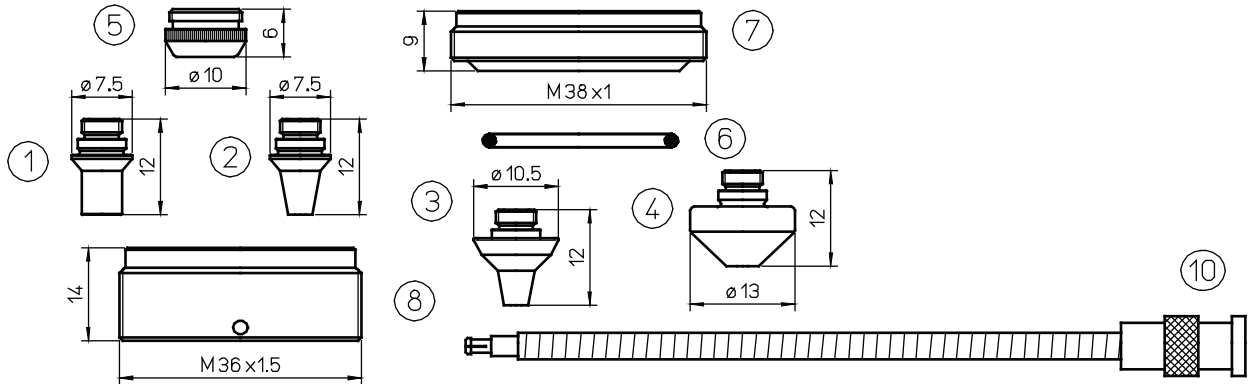
REPLACEMENT CO₂ LASER NOZZLES & ACCESSORIES



POS	II-VI p/n	OEM p/n	DESCRIPTION
5" KN SENSOR SYSTEM			
1	AL53	280408-P0494-752-00001	TRUMPF® ORIG. NOZZLE HOLDER KT M1.5 KN
2	L292	280551-P0494-853-00010	PRECITEC® NOZZLE Ø 1.0
	L293	280552-P0494-854-00012	PRECITEC® NOZZLE Ø 1.2
	L294	280553-P0494-855-00015	PRECITEC® NOZZLE Ø 1.5
3	L1055	280943-P0494-787-00010	PRECITEC® NOZZLE Ø 1.0 KN TAK
	L1056	280942-P0494-788-00012	PRECITEC® NOZZLE Ø 1.2 KN TAK
	L1057	280941-P0494-789-00015	PRECITEC® NOZZLE Ø 1.5 KN TAK
	L1058		PRECITEC® NOZZLE Ø 1.8
	L1059		PRECITEC® NOZZLE Ø 2.0
5" K SENSOR SYSTEM			
4	AL67	280040 - P0492-752-00001	PRECITEC® ORIG. NOZZLE HOLDER KT M1.5K
5	L350	280048-P0492-853-00010	PRECITEC® NOZZLE Ø 1.0
	L351	280049-P0492-854-00012	PRECITEC® NOZZLE Ø 1.2
	L352	280050-P0492-855-00015	PRECITEC® NOZZLE Ø 1.5
	L353	280050	PRECITEC® NOZZLE Ø 2.0
2.5" CM SENSOR SYSTEM			
6	AL138	281079-P0492-430-00003-W149	PRECITEC® ORIG. NOZZLE HOLDER KT M1.5 S F2.5
7	L400	280013-P0492-441-00008	PRECITEC® FP NOZZLE Ø 0.8
	L401	280014-P0492-442-00010-W223	PRECITEC® FP NOZZLE Ø 1.0
	L402	280015-P0492-443-00012	PRECITEC® FP NOZZLE Ø 1.2
	L403	280016-P0492-444-00015-W224	PRECITEC® FP NOZZLE Ø 1.5
	L543	P0492-447-00018	PRECITEC® FP NOZZLE Ø 1.8
	L544	280937-P0492-445-00020-W225	PRECITEC® FP NOZZLE Ø 2.0
	L546	P0492-448-00023	PRECITEC® FP NOZZLE Ø 2.3
	L545	281791-P0492-446-00025-W226	PRECITEC® FP NOZZLE Ø 2.5
	L547		PRECITEC® FP NOZZLE Ø 3.0

All original equipment manufacturer's names, drawings, colors, trademarks and part numbers are used for identification purposes only, and we are in no way implying that any of our products are original equipment parts. All parts advertised for sale in this catalog are made for and/or by II-VI Incorporated.

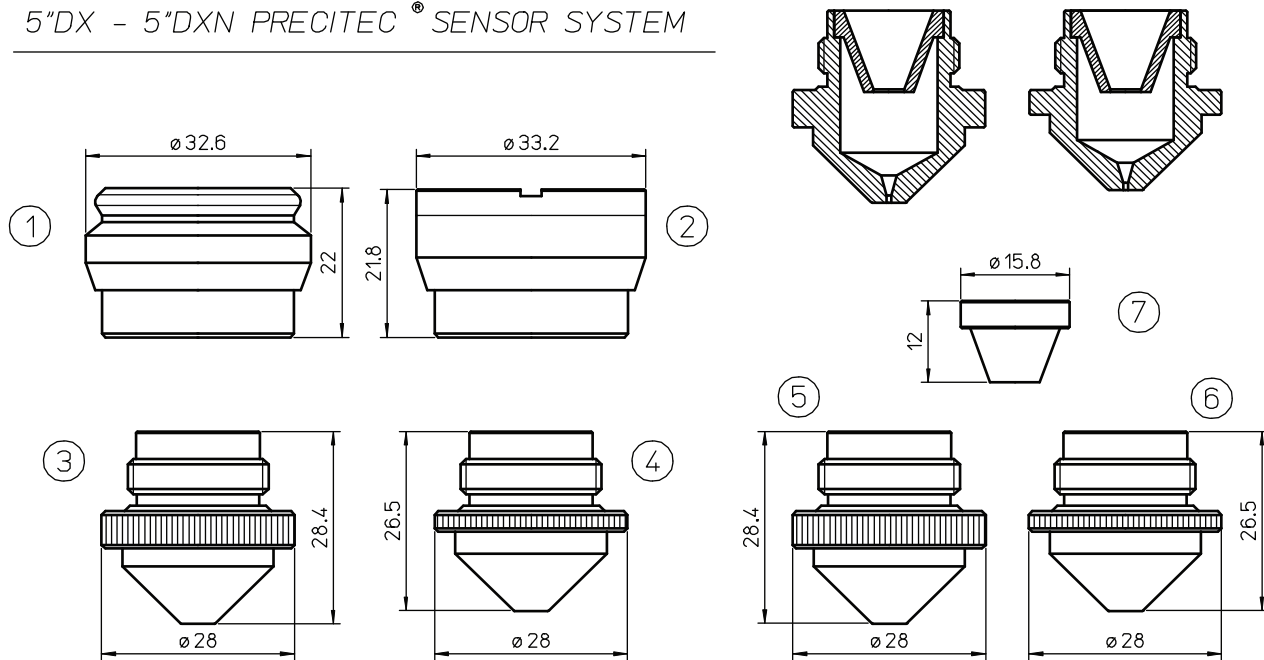
Mazak® 3D - Precitec® 5"C/MG - 5"H/MG



POS	II-VI p/n	OEM p/n	DESCRIPTION
1	L480	281005-P0352-323-00010	MAZAK® NOZZLE Ø 1.0 ZK
	L481	281034-P0352-324-00012	MAZAK® NOZZLE Ø 1.2 ZK
	L482	281013-P0352-325-00015	MAZAK® NOZZLE Ø 1.5 ZK
	L483	280899-P0352-326-00018	MAZAK® NOZZLE Ø 1.8 ZK
	L484	350044.3-P0352-327-00020	MAZAK® NOZZLE Ø 2.0 ZK
2	L486	281006-P0352-333-00010	MAZAK® NOZZLE Ø 1.0 KK
	L487	281030-P0352.334.00012	MAZAK® NOZZLE Ø 1.2 KK
	L488	281031-P0352.335.00015	MAZAK® NOZZLE Ø 1.5 KK
	L489	280898-P0352.336.00018	MAZAK® NOZZLE Ø 1.8 KK
	L490	P0352.336.00020	MAZAK® NOZZLE Ø 2.0 KK
3	L554	46713300290-10	MAZAK® NOZZLE 3D Ø 1.0
	L555	46713300290-12	MAZAK® NOZZLE 3D Ø 1.2
	L556	46713300290-15-P0352-381-00015	MAZAK® NOZZLE 3D Ø 1.5
	L557		MAZAK® NOZZLE 3D Ø 1.8
	L558	46713300310-P0352-382-00020	MAZAK® NOZZLE 3D Ø 2.0
	L560	46713300280-25	MAZAK® NOZZLE 3D Ø 2.5
	L563	46713300280-30	MAZAK® NOZZLE 3D Ø 3.0
	L564	46713300280-35	MAZAK® NOZZLE 3D Ø 3.5
4	L576		MAZAK® NOZZLE Ø INT 1.0 EST 13
	L577	46713300310	MAZAK® NOZZLE Ø INT 1.2 EST 13
	L578	P0352-386-00015	MAZAK® NOZZLE Ø INT 1.5 EST 13
	L579		MAZAK® NOZZLE Ø INT 1.8 EST 13
	L580	46713300300-P0352-387-00020	MAZAK® NOZZLE Ø INT 2.0 EST 13
	L581	46713300300-25	MAZAK® NOZZLE Ø INT 2.5 EST 13
	L582	46713300300-30	MAZAK® NOZZLE Ø INT 3.0 EST 13
	5	AL160	46713300321-P0352-311-00001
6	AL94	71366453	AMADA® O'RING FOR NOZZLE OUTER-10 PCS
7	AL198	PO492-702-00001 - 49270200001	PRECITEC® INSULATING RING - plastic
8	AL218	46713330200	MAZAK® 5-AXIS INSULATOR
10	AL204	PO360-100-00500	PRECITEC® ORIG SENSOR CABLE KE 500 Z

REPLACEMENT CO₂ LASER NOZZLES & ACCESSORIES

5"DX - 5"DXN PRECITEC® SENSOR SYSTEM

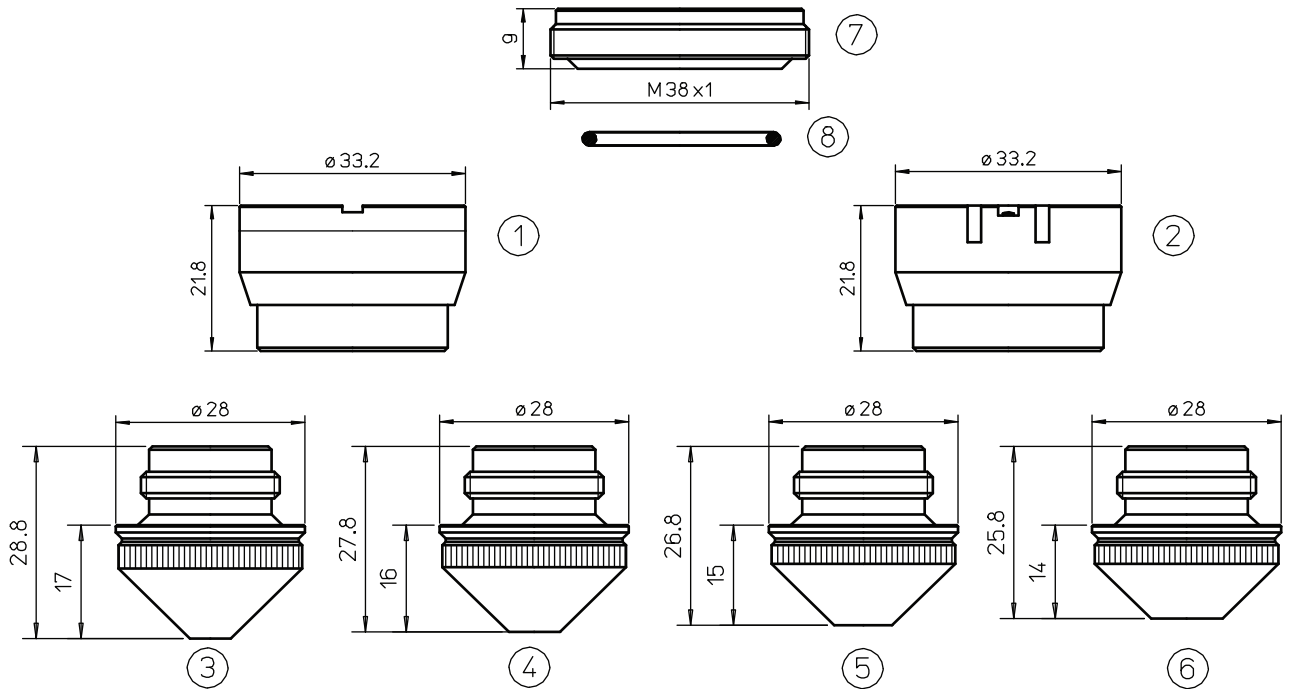


POS	II-VI p/n	OEM p/n	DESCRIPTION
1	AL35	280831-P0492-622-00002	PRECITEC® ORIG. NOZ.HOLDER KT M1.5"DX P0492-622-00002
2	AL40	280565-P0497-605-00001	PRECITEC® ORIG. NOZZLE HOLDER KT M1.5"DXN P0497-605-00001
3	L87		ADIGE S.® NOZZLE Ø 0.8
	L10		ADIGE S.® NOZZLE Ø 1.25
	L90		ADIGE S.® NOZZLE Ø 1.5
4	L40		ADIGE S.® NOZZLE Ø 1.5 HD
	L186		ADIGE S.® NOZZLE Ø 1.8 HD
5	L187		ADIGE S.® NOZZLE Ø 0.8
	L188		ADIGE S.® NOZZLE Ø 1.25
	L189		ADIGE S.® NOZZLE Ø 1.5
6	L190		ADIGE S.® NOZZLE Ø 1.5
	L191		ADIGE S.® NOZZLE Ø 1.8
7	L157		LVD® INNER NOZZLE

PRECITEC

All original equipment manufacturer's names, drawings, colors, trademarks and part numbers are used for identification purposes only, and we are in no way implying that any of our products are original equipment parts. All parts advertised for sale in this catalog are made for and/or by II-VI Incorporated.

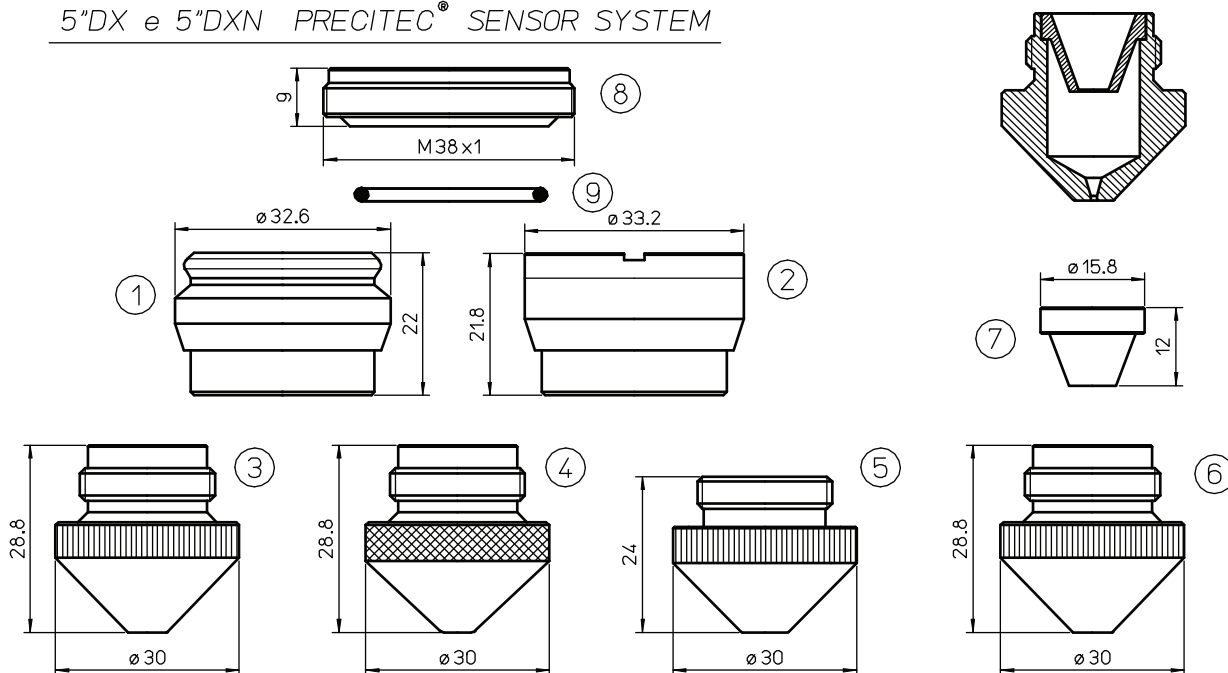
5" DXN - 5" DL SENSOR SYSTEM



POS	II-VI p/n	OEM p/n	DESCRIPTION
1	AL40	280565-P0497-605-00001	PRECITEC® ORIG. NOZZLE HOLDER KT M1.5"DXN P0497-605-00001
2	AL130	281146-PO380-211-00001	PRECITEC® ORIG. NOZZLE HOLDER IT M1.5" DZ 3164010008
	AL130/S	281146-PO380-211-00001	PRECITEC® NOZZLE HOLDER IT M1.5" DZ 3164010008
3	L365	280029-P0492-628-00010	PRECITEC® NOZZLE Ø 1.0
	L366	280030-P0492-629-00012	PRECITEC® NOZZLE Ø 1.2
4	L367	280028-P0492-627-00015	PRECITEC® NOZZLE Ø 1.5
5	L368	281384-P0492-630-00017	PRECITEC® NOZZLE Ø 1.7
	L369	280027-P0492-626-00020	PRECITEC® NOZZLE Ø 2.0
6	L370	280026-P0492-625-00025	PRECITEC® NOZZLE Ø 2.5
7	AL201	PO492-702-00002	PRECITEC® INSULATING RING
8	AL94	71366453	AMADA® O'RING FOR NOZZLE OUTER-10 PCS

REPLACEMENT CO₂ LASER NOZZLES & ACCESSORIES

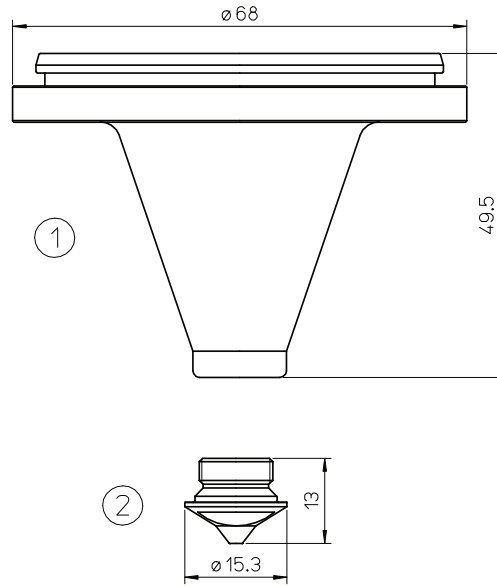
5"DX e 5"D_{XN} PRECITEC® SENSOR SYSTEM



POS	II-VI p/n	OEM p/n	DESCRIPTION
1	AL35	280831-P0492-622-00002	PRECITEC® ORIG. NOZ.HOLDER KT M1.5"DX P0492-622-00002
2	AL40	280565-P0497-605-00001	PRECITEC® ORIG. NOZZLE HOLDER KT M1.5"D _{XN} P0497-605-00001
3	L163	280029-P0492-628-00010	PRECITEC® NOZZLE Ø 1.0
	L164	280030-P0492-629-00012	PRECITEC® NOZZLE Ø 1.2
	L165	280028-P0492-627-00015	PRECITEC® NOZZLE Ø 1.5
	L166	280027-P0492-626-00020	PRECITEC® NOZZLE Ø 2.0
	L167	280026-P0492-625-00025	PRECITEC® NOZZLE Ø 2.5
	L462	281271-2.7	PRECITEC® NOZZLE Ø 2.7
	L201	280025-P0492-623-00001	PRECITEC® NOZZLE Ø 3.0
4	L887		PRECITEC® NOZZLE Ø 1.5
5	L921	281029L	PRECITEC® NOZZLE Ø 1.0
	L920		PRECITEC® NOZZLE Ø 2.0 W/COUNTER BORE
6	L259		PRECITEC® NOZZLE Ø 1.0 FOR INNER - PATENT
	L260		PRECITEC® NOZZLE Ø 1.2 FOR INNER - PATENT
	L261		PRECITEC® NOZZLE Ø 1.5 FOR INNER - PATENT
	L262		PRECITEC® NOZZLE Ø 2.0 FOR INNER - PATENT
	L263		PRECITEC® NOZZLE Ø 2.5 FOR INNER - PATENT
	L264		PRECITEC® NOZZLE Ø 3.0 FOR INNER - PATENT
7	L157		LVDD® INNER NOZZLE
8	AL201	PO492-702-00002	PRECITEC® INSULATING RING
9	AL94	71366453	AMADA® O'RING FOR NOZZLE OUTER-10 PCS

PRECITEC

All original equipment manufacturer's names, drawings, colors, trademarks and part numbers are used for identification purposes only, and we are in no way implying that any of our products are original equipment parts. All parts advertised for sale in this catalog are made for and/or by II-VI Incorporated.



POS	II-VI p/n	OEM p/n	DESCRIPTION
1	AL244	P0587-440-00001	PRECITEC® NOZZLE HOLDER ZE SE YK Z F80 OS OUR PRODUCTION
2	L1012	P0587-842-00008	PRECITEC® NOZZLE ϕ 0.8
	L1013	P0587-841-00010	PRECITEC® NOZZLE ϕ 1.0
	L1014	P0587-846-00015	PRECITEC® NOZZLE ϕ 1.5

REPLACEMENT CO₂ LASER NOZZLES & ACCESSORIES



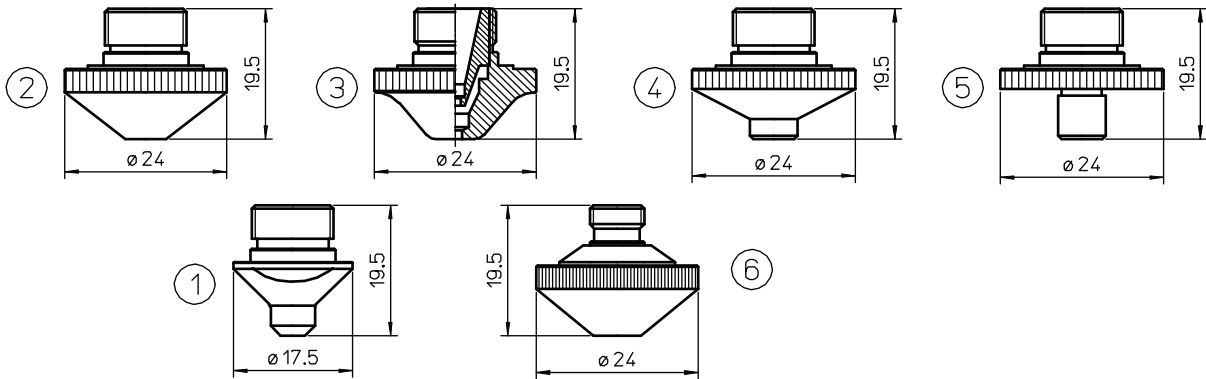
POS	II-VI p/n	OEM p/n	DESCRIPTION
1	L70	490.76.4102	PRIMA I.® NOZZLE Ø 0.3
	L74		PRIMA I.® NOZZLE Ø 1.0
	L418		PRIMA I.® NOZZLE Ø 1.0 COPPER
	L416		PRIMA I.® NOZZLE Ø 1.2 COPPER
	L54	485.73.321	PRIMA I.® NOZZLE Ø 1.5
	L419		PRIMA I.® NOZZLE Ø 1.5 COPPER
	L417		PRIMA I.® NOZZLE Ø 1.7 COPPER
	L55	485.73.322	PRIMA I.® NOZZLE Ø 2.0
	L420		PRIMA I.® NOZZLE Ø 2.0 COPPER
	L204	485.73.323	PRIMA I.® NOZZLE Ø 2.5
	L421		PRIMA I.® NOZZLE Ø 2.5 COPPER
	L205	485.73.324	PRIMA I.® NOZZLE Ø 3.0 BRASS
	L422		PRIMA I.® NOZZLE Ø 3.0 COPPER
	L418X		PRIMA I.® NOZZLE Ø 1.0 CP
	L416X		PRIMA I.® NOZZLE Ø 1.2 CP
	L419X	485.73.421	PRIMA I.® NOZZLE Ø 1.5 CP
	L417X		PRIMA I.® NOZZLE Ø 1.7 CP
	L420X	485.73.422	PRIMA I.® NOZZLE Ø 2.0 CP
	L421X	485.73.423	PRIMA I.® NOZZLE Ø 2.5 CP
L422X	485.73.424	PRIMA I.® NOZZLE Ø 3.0 CP	
2	L631		PRIMA I.® NOZZLE Ø 0.3
	L632		PRIMA I.® NOZZLE Ø 1.0
	L637		PRIMA I.® NOZZLE Ø 1.2
	L633		PRIMA I.® NOZZLE Ø 1.5
	L638		PRIMA I.® NOZZLE Ø 1.7
	L634		PRIMA I.® NOZZLE Ø 2.0
	L635		PRIMA I.® NOZZLE Ø 2.5
	L636		PRIMA I.® NOZZLE Ø 3.0

All original equipment manufacturer's names, drawings, colors, trademarks and part numbers are used for identification purposes only, and we are in no way implying that any of our products are original equipment parts. All parts advertised for sale in this catalog are made for and/or by II-VI Incorporated.



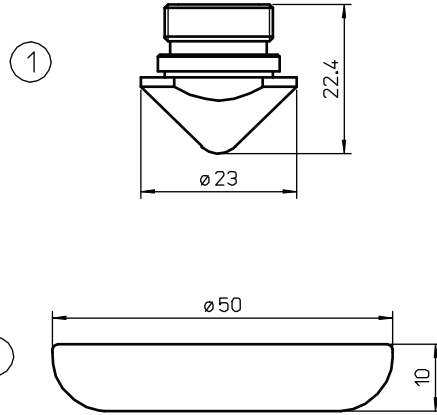
POS	II-VI p/n	OEM p/n	DESCRIPTION
1	L62	490.76.103	PRIMA I.® NOZZLE Ø 0.3 CONICAL COPPER
	L450		PRIMA I.® NOZZLE Ø 1.0 COPPER
	L451		PRIMA I.® NOZZLE Ø 1.2 COPPER
	L206	485.73.331	PRIMA I.® NOZZLE Ø 1.5
	L424		PRIMA I.® NOZZLE Ø 1.5 COPPER
	L426		PRIMA I.® NOZZLE Ø 1.7 COPPER
	L57	485.73.333	PRIMA I.® NOZZLE Ø 2.0 CONICAL
	L425		PRIMA I.® NOZZLE Ø 2.0 COPPER
	L449	485.73.333	PRIMA I.® NOZZLE Ø 2.5 CONICAL
	L427		PRIMA I.® NOZZLE Ø 2.5 CONICAL COPPER
	L450X		PRIMA I.® NOZZLE Ø 1.0 CP
	L451X		PRIMA I.® NOZZLE Ø 1.2 CP
	L424X	485.73.431	PRIMA I.® NOZZLE Ø 1.5 CP
	L426X		PRIMA I.® NOZZLE Ø 1.7 CP
	L425X	485.73.433	PRIMA I.® NOZZLE Ø 2.0 CP
L427X		PRIMA I.® NOZZLE Ø 2.5 CP	
2	AL136		PRIMA I.® INSULATING RING-PLASTIC

REPLACEMENT CO₂ LASER NOZZLES & ACCESSORIES



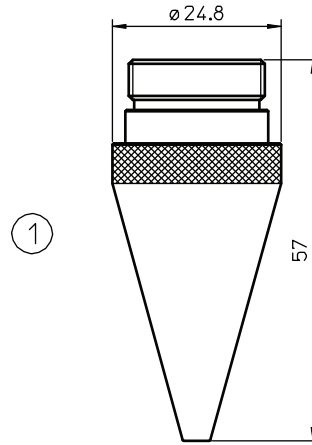
POS	II-VI p/n	OEM p/n	DESCRIPTION
1	L891		PRIMA I.® NOZZLE Ø 1.0
	L892		PRIMA I.® NOZZLE Ø 1.5
	L893		PRIMA I.® NOZZLE Ø 2.0
	L894		PRIMA I.® NOZZLE Ø 2.5
	L895		PRIMA I.® NOZZLE Ø 3.0
2	L862		PRIMA I.® NOZZLE Ø 1.0
	L863		PRIMA I.® NOZZLE Ø 1.5
	L864		PRIMA I.® NOZZLE Ø 2.0
	L865		PRIMA I.® NOZZLE Ø 2.5
	L866		PRIMA I.® NOZZLE Ø 3.0
	3	L900X	1059.70000.003
L901X		1059.70000.004	PRIMA I.® DOUBLE NOZZLE Ø 1.5 CP
L906X			
L902X		1059.70000.005	PRIMA I.® DOUBLE NOZZLE Ø 2.0 CP
L903X		1059.70000.006	PRIMA I.® DOUBLE NOZZLE Ø 2.5 CP
L904X		1059.70000.007	PRIMA I.® DOUBLE NOZZLE Ø 3.0 CP
4		L532	
	L312		PRIMA I.® NOZZLE Ø 1.0
	L207	LW6.1E.111	PRIMA I.® NOZZLE Ø 1.5
	L208	LW6.1E.112	PRIMA I.® NOZZLE Ø 2.0
	L209	LW6.1E.113	PRIMA I.® NOZZLE Ø 2.5
	L210	LW6.1E.114	PRIMA I.® NOZZLE Ø 3.0
	L312X		PRIMA I.® NOZZLE Ø 1.0 CP
	L207X	LW6.1E.111	PRIMA I.® NOZZLE Ø 1.5 CP
	L208X	LW6.1E.112	PRIMA I.® NOZZLE Ø 2.0 CP
	L209X	LW6.1E.113	PRIMA I.® NOZZLE Ø 2.5 CP
	L210X	LW6.1E.114	PRIMA I.® NOZZLE Ø 3.0 CP
5	L608	LW6.1G.500-LW6.1G.600	PRIMA I.® NOZZLE Ø 1.5
	L609	LW6.1G.501-LW6.1G.601	PRIMA I.® NOZZLE Ø 2.0
	L610	LW6.1G.502-LW6.1G.602	PRIMA I.® NOZZLE Ø 2.5
	L611	LW6.1G.503-LW6.1G.603	PRIMA I.® NOZZLE Ø 3.0
6	L875		PRIMA I.® L.W. Ø 1.0
	L876		PRIMA I.® L.W. Ø 1.5
	L877		PRIMA I.® L.W. Ø 2.0
	L878		PRIMA I.® L.W. Ø 2.5
	L879		PRIMA I.® NOZZLE Ø 3.0

All original equipment manufacturer's names, drawings, colors, trademarks and part numbers are used for identification purposes only, and we are in no way implying that any of our products are original equipment parts. All parts advertised for sale in this catalog are made for and/or by II-VI Incorporated.



POS	II-VI p/n	OEM p/n	DESCRIPTION
1	L31		RASKIN® NOZZLE Ø 1.0
	L52		RASKIN® NOZZLE Ø 1.1
	L53		RASKIN® NOZZLE Ø 1.5
2	AL9		RASKIN® STYLUS FOOT-STEEL
	AL51		RASKIN® STYLUS FOOT-TEFLON

REPLACEMENT CO₂ LASER NOZZLES & ACCESSORIES

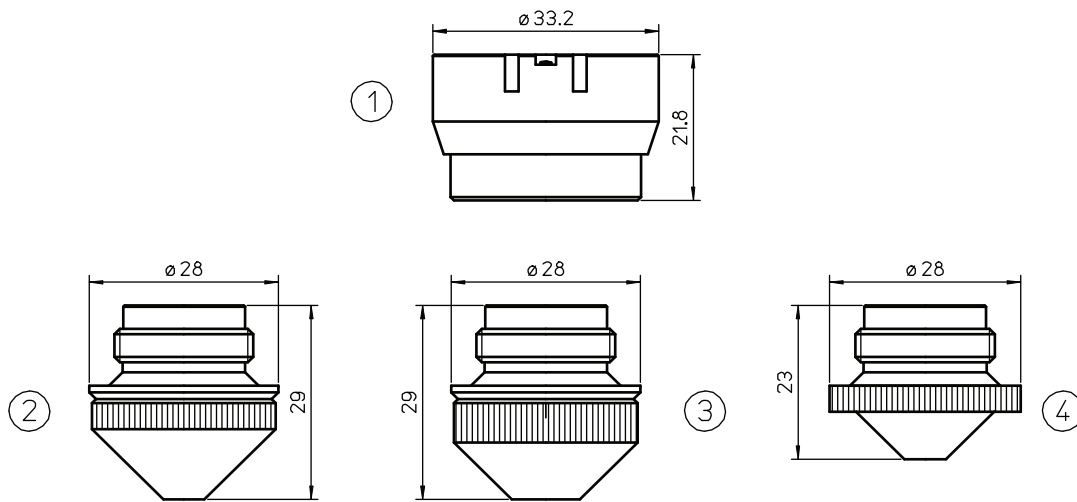


POS	II-VI p/n	OEM p/n	DESCRIPTION
1	L690		ROUCHAUD® NOZZLE Ø 1.25
	L177		ROUCHAUD® NOZZLE Ø 1.5
	L202		ROUCHAUD® NOZZLE Ø 2.0

ROUCHAUD

All original equipment manufacturer's names, drawings, colors, trademarks and part numbers are used for identification purposes only, and we are in no way implying that any of our products are original equipment parts. All parts advertised for sale in this catalog are made for and/or by II-VI Incorporated.

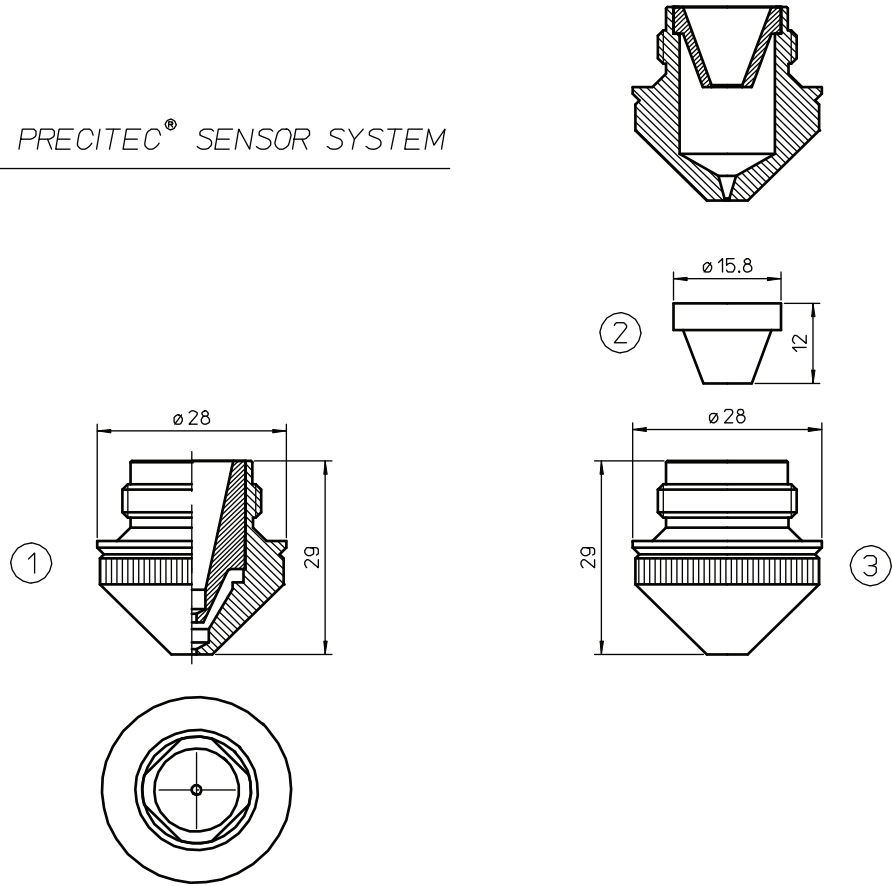
5"DL PRECITEC® SENSOR SYSTEM



POS	II-VI p/n	OEM p/n	DESCRIPTION
1	AL 130	281146-PO380-211-00001	PRECITEC® ORIG. NOZZLE HOLDER IT M1.5" DZ 3164010008
	AL 130/S	281146-PO380-211-00001	PRECITEC® NOZZLE HOLDER IT M1.5" DZ 3164010008
2	L374	141300A4	SALVAGNINI® NOZZLE Ø 0.75
	L375	141301A4	SALVAGNINI® NOZZLE Ø 1.0
	L376	146330A4	SALVAGNINI® NOZZLE Ø 1.25
	L377	146329A4	SALVAGNINI® NOZZLE Ø 1.5
	L378	146328A4	SALVAGNINI® NOZZLE Ø 1.75
	L379	146327A4	SALVAGNINI® NOZZLE Ø 2.0
	L381	146326A4	SALVAGNINI® NOZZLE Ø 2.25
	L380	146325A4	SALVAGNINI® NOZZLE Ø 2.5
	L888	146324A4	SALVAGNINI® NOZZLE Ø 2.75
	L889	146323A4	SALVAGNINI® NOZZLE Ø 3.0
	L374X	141300A4	SALVAGNINI® NOZZLE Ø 0.75 CP
	L375X	141301A4	SALVAGNINI® NOZZLE Ø 1.0 CP
	L376X	146330A4	SALVAGNINI® NOZZLE Ø 1.25 CP
	L377X	146329A4	SALVAGNINI® NOZZLE Ø 1.5 CP
	L378X	146328A4	SALVAGNINI® NOZZLE Ø 1.75 CP
	L379X	146327A4	SALVAGNINI® NOZZLE Ø 2.0 CP
	L381X	146326A4	SALVAGNINI® NOZZLE Ø 2.25 CP
	L380X	146325A4	SALVAGNINI® NOZZLE Ø 2.5 CP
	L888X	146324A4	SALVAGNINI® NOZZLE Ø 2.75 CP
	L889X	146323A4	SALVAGNINI® NOZZLE Ø 3.0 CP
3	L570		SALVAGNINI® NOZZLE Ø 1.2
4	L1000	144151A4	SALVAGNINI® NOZZLE Ø 2.0 SHORT
	L1001	144125A4	SALVAGNINI® NOZZLE Ø 2.25 SHORT
	L1002	144152A4	SALVAGNINI® NOZZLE Ø 2.5 SHORT
	L1003	144153A4	SALVAGNINI® NOZZLE Ø 3.0 SHORT

REPLACEMENT CO₂ LASER NOZZLES & ACCESSORIES

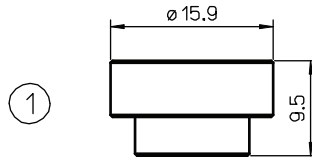
5"DL PRECITEC® SENSOR SYSTEM



POS	II-VI p/n	OEM p/n	DESCRIPTION
1	L988X		SALVAGNINI® DOUBLE NOZZLE Ø 1.0 CP
	L989X		SALVAGNINI® DOUBLE NOZZLE Ø 1.25 CP
	L990X		SALVAGNINI® DOUBLE NOZZLE Ø 1.5 CP
	L991X		SALVAGNINI® DOUBLE NOZZLE Ø 1.75 CP
	L992X		SALVAGNINI® DOUBLE NOZZLE Ø 2.0 CP
	L993X		SALVAGNINI® DOUBLE NOZZLE Ø 2.25 CP
	L994X		SALVAGNINI® DOUBLE NOZZLE Ø 2.5 CP
	L995X		SALVAGNINI® DOUBLE NOZZLE Ø 2.7 CP
	L996X		SALVAGNINI® DOUBLE NOZZLE Ø 3.0 CP
2	L157		LVD® INNER NOZZLE
3	L772		SALVAGNINI® NOZZLE .Ø 0.75 F/I
	L773		SALVAGNINI® NOZZLE Ø 1.0 F/I
	L774		SALVAGNINI® NOZZLE Ø 1.25 F/I
	L775		SALVAGNINI® NOZZLE Ø 1.5 F/I
	L776		SALVAGNINI® NOZZLE Ø 1.75 F/I
	L777		SALVAGNINI® NOZZLE Ø 2.0 F/I
	L778		SALVAGNINI® NOZZLE Ø 2.5 F/I

All original equipment manufacturer's names, drawings, colors, trademarks and part numbers are used for identification purposes only, and we are in no way implying that any of our products are original equipment parts. All parts advertised for sale in this catalog are made for and/or by II-VI Incorporated.

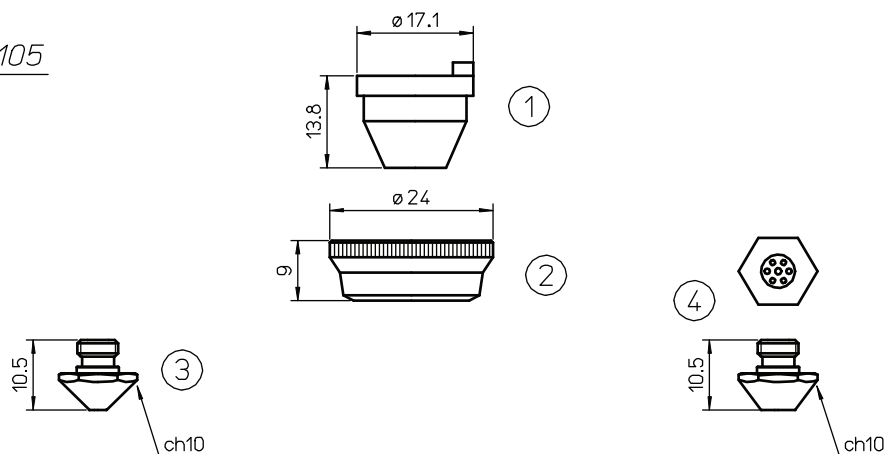
SALVAGNINI



POS	II-VI p/n	OEM p/n	DESCRIPTION
1	L3	106054-100	STRIPPIT® NOZZLE Ø 1.0
	L64	106054-150	STRIPPIT® NOZZLE Ø 1.5
	L65	106054-200	STRIPPIT® NOZZLE Ø 2.0

REPLACEMENT CO₂ LASER NOZZLES & ACCESSORIES

LASER TLC 105

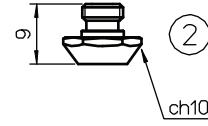
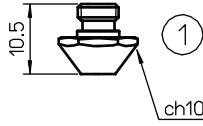


POS	II-VI p/n	OEM p/n	DESCRIPTION
1	AL53	280408-P0494-752-00001	TRUMPF® ORIG. NOZZLE HOLDER KT M1.5 KN
2	AL177	280550-PO494-940-00001	TRUMPF® ORIG. RING
3	L211	226939	TRUMPF® NOZZLE Ø 1.0
	L212		TRUMPF® NOZZLE Ø 1.4
	L213		TRUMPF® NOZZLE Ø 1.7
	L211X	226939	TRUMPF® NOZZLE Ø 1.0 CP
	L212X		TRUMPF® NOZZLE Ø 1.4 CP
	L213X		TRUMPF® NOZZLE Ø 1.7 CP
	L214		TRUMPF® NOZZLE Ø 1.0 HD
	L215	226940	TRUMPF® NOZZLE Ø 1.4 HD
	L216	227144	TRUMPF® NOZZLE Ø 1.7 HD
	L214X		TRUMPF® NOZZLE Ø 1.0 HD CP
	L215X	226940	TRUMPF® NOZZLE Ø 1.4 HD CP
	L216X	227144	TRUMPF® NOZZLE Ø 1.7 HD CP
4	L395	237364	TRUMPF® SHOWER NOZZLE Ø 1.0

TRUMPF

All original equipment manufacturer's names, drawings, colors, trademarks and part numbers are used for identification purposes only, and we are in no way implying that any of our products are original equipment parts. All parts advertised for sale in this catalog are made for and/or by II-VI Incorporated.

LASER TLC 105



POS	II-VI p/n	OEM p/n	DESCRIPTION
1	L255	212334	TRUMPF® NOZZLE Ø 1.0
	L255X	212334	TRUMPF® NOZZLE Ø 1.0 CP
	L270		TRUMPF® NOZZLE Ø 1.0 HD
	L256	216199	TRUMPF® NOZZLE Ø 1.4 HD
	L257	225213	TRUMPF® NOZZLE Ø 1.7 HD
	L277	126156	TRUMPF® NOZZLE Ø 2.3 HD
	L270X		TRUMPF® NOZZLE Ø 1.0 HD CP
	L256X	216199	TRUMPF® NOZZLE Ø 1.4 HD CP
	L257X	225213	TRUMPF® NOZZLE Ø 1.7 HD CP
	L277X	126156	TRUMPF® NOZZLE Ø 2.3 HD CP
2	L278		TRUMPF® SHORT NOZZLE Ø 2.3 HD H=4
	L332		TRUMPF® SHORT NOZZLE Ø 2.3 HD H=3.5

REPLACEMENT CO₂ LASER NOZZLES & ACCESSORIES

LASER TLC 105

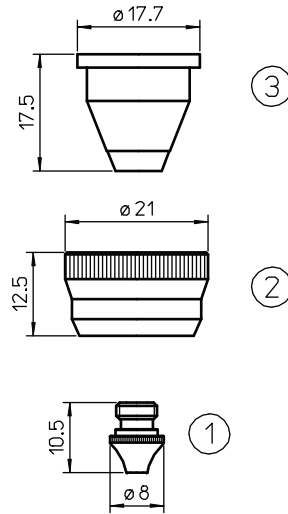


POS	II-VI p/n	OEM p/n	DESCRIPTION
1	L625	135320	TRUMPF® NOZZLE Ø 1.0
	L625X	135320	TRUMPF® NOZZLE Ø 1.0 CP
	L627		TRUMPF® NOZZLE Ø 1.0 HD
	L628	135318	TRUMPF® NOZZLE Ø 1.4 HD
	L629	126157	TRUMPF® NOZZLE Ø 1.7 HD
	L627X		TRUMPF® NOZZLE Ø 1.0 HD CP
	L628X	135318	TRUMPF® NOZZLE Ø 1.4 HD CP
	L629X	126157	TRUMPF® NOZZLE Ø 1.7 HD CP
2	L746		TRUMPF® NOZZLE Ø 0.25
	L267	135318	TRUMPF® NOZZLE Ø 1.0 HD
	L268	126157	TRUMPF® NOZZLE Ø 1.4 HD
	L269		TRUMPF® NOZZLE Ø 1.7 HD
	L267X	135318	TRUMPF® NOZZLE Ø 1.0 HD CP
	L268X	126157	TRUMPF® NOZZLE Ø 1.4 HD CP
	L269X		TRUMPF® NOZZLE Ø 1.7 HD CP

TRUMPF

All original equipment manufacturer's names, drawings, colors, trademarks and part numbers are used for identification purposes only, and we are in no way implying that any of our products are original equipment parts. All parts advertised for sale in this catalog are made for and/or by II-VI Incorporated.

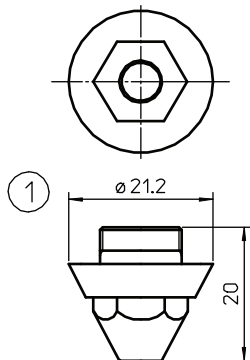
LASER TLC 1005



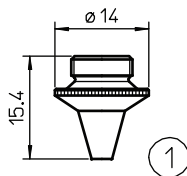
POS	II-VI p/n	OEM p/n	DESCRIPTION
1	L745	958206	TRUMPF® NOZZLE Ø 0.25
	L500	913799	TRUMPF® NOZZLE Ø 0.8 HD
	L501	913800	TRUMPF® NOZZLE Ø 1.0 HD
	L502	913801	TRUMPF® NOZZLE Ø 1.4 HD
	L503	937988	TRUMPF® NOZZLE Ø 1.7 HD
	L504	937989	TRUMPF® NOZZLE Ø 2.3 HD
	L500X	913799	TRUMPF® NOZZLE Ø 0.8 HD CP
	L501X	913800	TRUMPF® NOZZLE Ø 1.0 HD CP
	L502X	913801	TRUMPF® NOZZLE Ø 1.4 HD CP
	L503X	937988	TRUMPF® NOZZLE Ø 1.7 HD CP
	L504X	937989	TRUMPF® NOZZLE Ø 2.3 HD CP
	2	AL254	0913965
3	AL212	936678	TRUMPF® NOZZLE HOLDER

REPLACEMENT CO₂ LASER NOZZLES & ACCESSORIES

TLF 6003



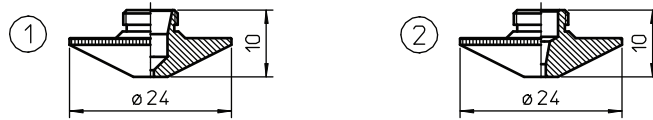
POS	II-VI p/n	OEM p/n	DESCRIPTION
1	L1010X	932530	TRUMPF® NOZZLE Ø 4.5 CP



POS	II-VI p/n	OEM p/n	DESCRIPTION
1	L405	281813-P0589-424-00008	PRECITEC® NOZZLE Ø 0.8
	L406	281789-P0589-426-00010	PRECITEC® NOZZLE Ø 1.0
	L404	281561 - 778550	PRECITEC® NOZZLE Ø 1.2
	L407	281814 - 149957	PRECITEC® NOZZLE Ø 1.5
	L408	P0589-428-00020	PRECITEC® NOZZLE Ø 2.0
	L405X	281813-P0589-424-00008	PRECITEC® NOZZLE Ø 0.8 CP
	L406X	281789-P0589-426-00010	PRECITEC® NOZZLE Ø 1.0 CP
	L404X	281561 - 778550	PRECITEC® NOZZLE Ø 1.2 CP
	L407X	281814 - 149957	PRECITEC® NOZZLE Ø 1.5 CP
	L408X	P0589-428-00020	PRECITEC® NOZZLE Ø 2.0 CP

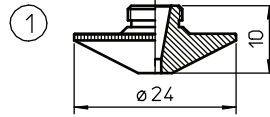
All original equipment manufacturer's names, drawings, colors, trademarks and part numbers are used for identification purposes only, and we are in no way implying that any of our products are original equipment parts. All parts advertised for sale in this catalog are made for and/or by II-VI Incorporated.

TRUMPF



POS	II-VI p/n	OEM p/n	DESCRIPTION
1	L18	124561-237499	TRUMPF® NOZZLE Ø 0.8
	L19	124562-237498	TRUMPF® NOZZLE Ø 1.0
	L361	966809	TRUMPF® NOZZLE Ø 1.2
	L26	237500	TRUMPF® NOZZLE Ø 1.5
	L24	237503	TRUMPF® NOZZLE Ø 2.0
	L797	124564	TRUMPF® NOZZLE Ø 2.3
	L25	237504	TRUMPF® NOZZLE Ø 3.0
	L18X	352280	TRUMPF® NOZZLE Ø 0.8 CP
	L19X	352281	TRUMPF® NOZZLE Ø 1.0 CP
	L361X	352282	TRUMPF® NOZZLE Ø 1.2 CP
	L26X	352288	TRUMPF® NOZZLE Ø 1.5 CP
	L24X		TRUMPF® NOZZLE Ø 2.0 CP
	L797X	124564	TRUMPF® NOZZLE Ø 2.3 CP
	L25X	237504	TRUMPF® NOZZLE Ø 3.0 CP
2	L20	237497	TRUMPF® NOZZLE Ø 1.4 HD
	L20X	352283	TRUMPF® NOZZLE Ø 1.4 HD CP

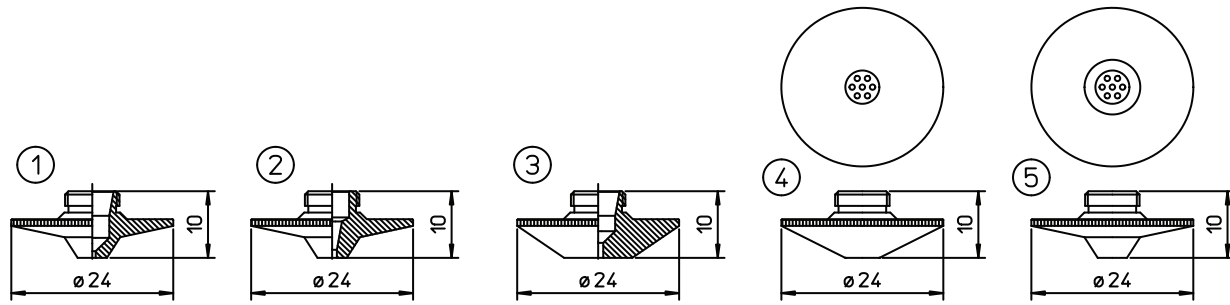
REPLACEMENT CO₂ LASER NOZZLES & ACCESSORIES



POS	II-VI p/n	OEM p/n	DESCRIPTION
1	L258	237497/S	TRUMPF® NOZZLE Ø 1.4 HD
	L21	237501	TRUMPF® NOZZLE Ø 1.7 HD
	L168	237502	TRUMPF® NOZZLE Ø 2.0 HD
	L76	126933 or 1253211	TRUMPF® NOZZLE Ø 2.3 HD
	L185		TRUMPF® NOZZLE Ø 2.5 HD
	L360	942742	TRUMPF® NOZZLE Ø 2.7 HD
	L396		TRUMPF® NOZZLE Ø 3.0 HD
	L258X	237497/S	TRUMPF® NOZZLE Ø 1.4 HD CP
	L21X	352284	TRUMPF® NOZZLE Ø 1.7 HD CP
	L168X	352287	TRUMPF® NOZZLE Ø 2.0 HD CP
	L76X	352285	TRUMPF® NOZZLE Ø 2.3 HD CP
	L185X		TRUMPF® NOZZLE Ø 2.5 HD CP
	L360X	352286	TRUMPF® NOZZLE Ø 2.7 HD CP
	L396X		TRUMPF® NOZZLE Ø 3.0 HD CP

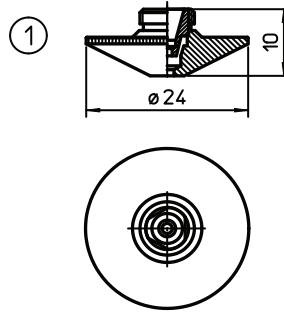
TRUMPF

All original equipment manufacturer's names, drawings, colors, trademarks and part numbers are used for identification purposes only, and we are in no way implying that any of our products are original equipment parts. All parts advertised for sale in this catalog are made for and/or by II-VI Incorporated.



POS	II-VI p/n	OEM p/n	DESCRIPTION
1	L2	215780	TRUMPF® NOZZLE Ø 0.8
	L11	087658	TRUMPF® NOZZLE Ø 1.0
	L2X	215780	TRUMPF® NOZZLE Ø 0.8 CP
	L11X	087658	TRUMPF® NOZZLE Ø 1.0 CP
2	L1	088894	TRUMPF® NOZZLE Ø 1.4 HD
	L12	217867	TRUMPF® NOZZLE Ø 1.7 HD
3	L13	088893	TRUMPF® NOZZLE Ø 1.5
	L68	221781	TRUMPF® NOZZLE Ø 2.0
	L230	235592	TRUMPF® NOZZLE Ø 3.0
4	L495	237872	TRUMPF® SHOWER NOZZLE Ø 0.8
5	L496	217976	TRUMPF® SHOWER NOZZLE Ø 0.8

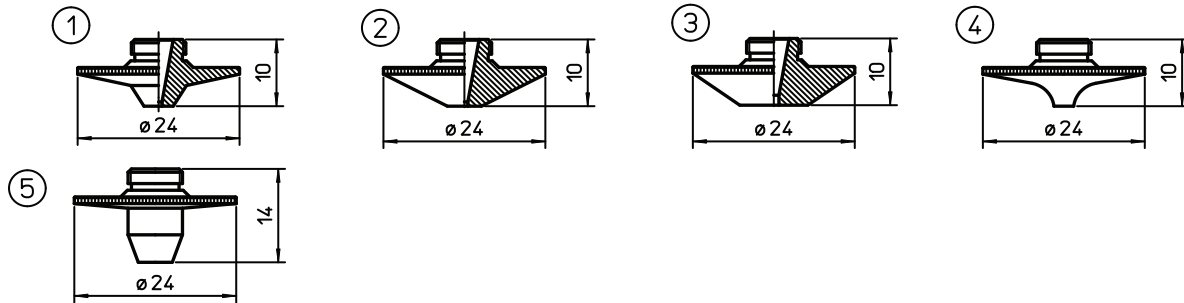
REPLACEMENT CO₂ LASER NOZZLES & ACCESSORIES



POS	II-VI p/n	OEM p/n	DESCRIPTION
1	L640		TRUMPF® NOZZLE Ø 0.8 W/I
	L641		TRUMPF® NOZZLE Ø 1.0 W/I
	L648		TRUMPF® NOZZLE Ø 1.2 W/I
	L642		TRUMPF® NOZZLE Ø 1.4 W/I
	L643		TRUMPF® NOZZLE Ø 1.7 W/I
	L644		TRUMPF® NOZZLE Ø 2.0 W/I
	L645		TRUMPF® NOZZLE Ø 2.3 W/I
	L646		TRUMPF® NOZZLE Ø 2.7 W/I
	L647		TRUMPF® NOZZLE Ø 3.0 W/I
	L640X		TRUMPF® NOZZLE Ø 0.8 CP W/I
	L641X		TRUMPF® NOZZLE Ø 1.0 CP W/I
	L648X		TRUMPF® NOZZLE Ø 1.2 CP W/I
	L642X		TRUMPF® NOZZLE Ø 1.4 CP W/I
	L643X		TRUMPF® NOZZLE Ø 1.7 CP W/I
	L644X		TRUMPF® NOZZLE Ø 2.0 CP W/I
	L645X		TRUMPF® NOZZLE Ø 2.3 CP W/I
	L646X		TRUMPF® NOZZLE Ø 2.7 CP W/I
	L647X		TRUMPF® NOZZLE Ø 3.0 CP W/I

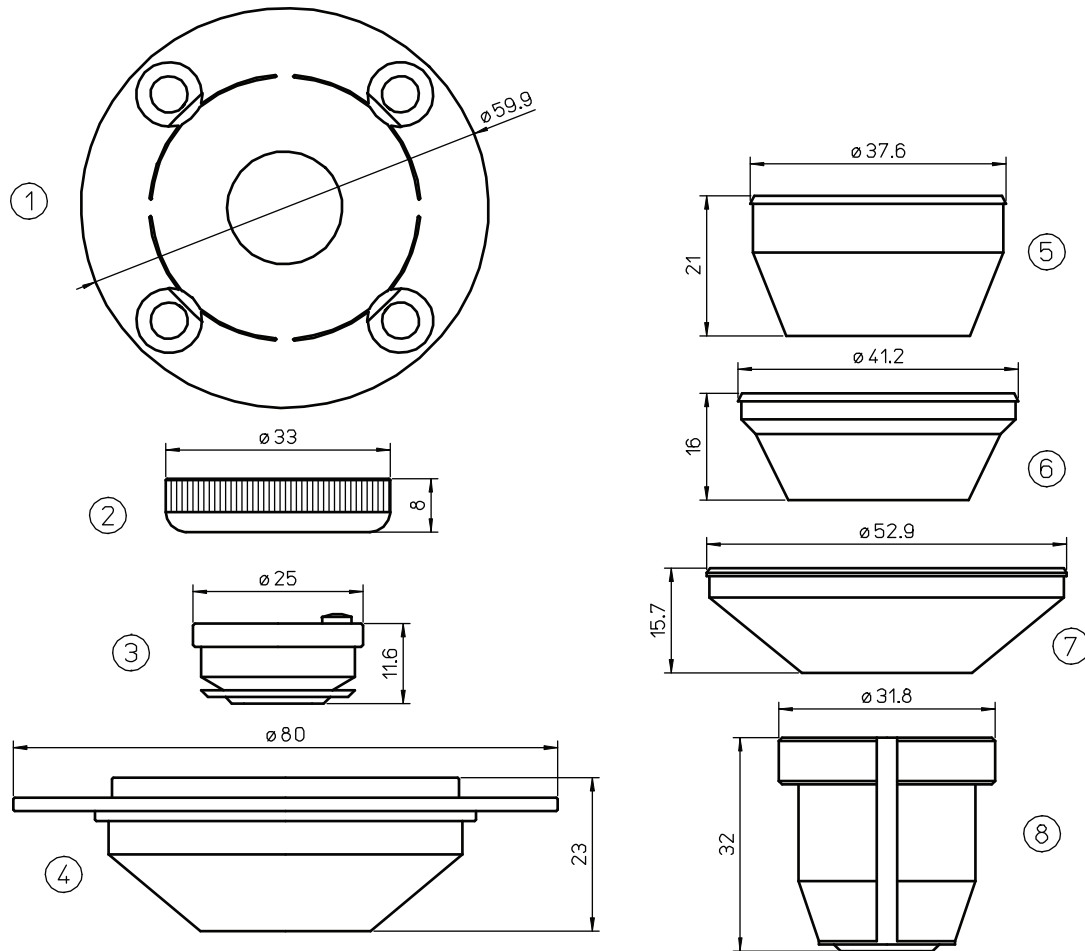
TRUMPF

All original equipment manufacturer's names, drawings, colors, trademarks and part numbers are used for identification purposes only, and we are in no way implying that any of our products are original equipment parts. All parts advertised for sale in this catalog are made for and/or by II-VI Incorporated.



POS	II-VI p/n	OEM p/n	DESCRIPTION
1	L226		TRUMPF® NOZZLE Ø 0.8 HD
	L181		TRUMPF® NOZZLE Ø 1.0 HD
	L182		TRUMPF® NOZZLE Ø 1.4 HD
	L227		TRUMPF® NOZZLE Ø 1.7 HD
	L313		TRUMPF® NOZZLE Ø 2.3 HD
2	L228		TRUMPF® NOZZLE Ø 0.8 HD
	L180		TRUMPF® NOZZLE Ø 1.0 HD
3	L232		TRUMPF® NOZZLE Ø 1.5 HD
	L233		TRUMPF® NOZZLE Ø 2.0 HD
4	L720		TRUMPF® SPECIAL NOZZLE Ø 2.3 HD
	L721		TRUMPF® SPECIAL NOZZLE Ø 2.5 HD
	L722		TRUMPF® SPECIAL NOZZLE Ø 2.7 HD
	L671		TRUMPF® NOZZLE Ø 2.3 HD ECONOMY GAS
	L720X		TRUMPF® SPECIAL NOZZLE Ø 2.3HD CP
	L721X		TRUMPF® SPECIAL NOZZLE Ø 2.5HD CP
	L722X		TRUMPF® SPECIAL NOZZLE Ø 2.7HD CP
5	L200		TRUMPF® EXTENDED NOZZLE Ø 0.8
	L199		TRUMPF® EXTENDED NOZZLE Ø 1.0
	L658		TRUMPF® EXTENDED NOZZLE Ø 1.4

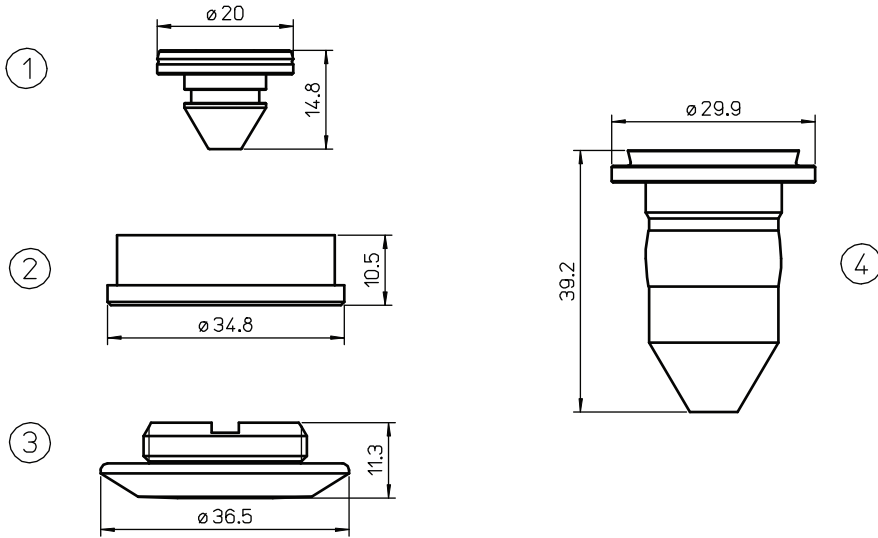
REPLACEMENT CO₂ LASER NOZZLES & ACCESSORIES



POS	II-VI p/n	OEM p/n	DESCRIPTION
1	AL70	234485	TRUMPF® BREAK-AWAY
2	AL250	216066	TRUMPF® SIGNBOARD
3	AL38	258809-243839-247894	TRUMPF® CERAMIC NOZZLE HOLDER
4	AL19	216065	TRUMPF® TEFLON COVER
5	AL47	256153-955826	TRUMPF® TEFLON COVER
6	AL36	254496	TRUMPF® TEFLON COVER
7	AL41	225286	TRUMPF® TEFLON COVER
8	AL108	254493-260432	TRUMPF® CERAMIC NOZZLE HOLDER

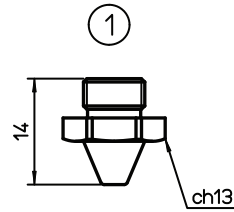
TRUMPF

All original equipment manufacturer's names, drawings, colors, trademarks and part numbers are used for identification purposes only, and we are in no way implying that any of our products are original equipment parts. All parts advertised for sale in this catalog are made for and/or by II-VI Incorporated.



POS	II-VI p/n	OEM p/n	DESCRIPTION
1	L5	202952	TRUMPF® NOZZLE $\varnothing 0.8$
	L34	218969	TRUMPF® NOZZLE $\varnothing 1.0$
	L35	209402	TRUMPF® NOZZLE $\varnothing 1.4$ HD
	L36	217953	TRUMPF® NOZZLE $\varnothing 1.7$ HD
2	AL8		TRUMPF® STYLUS FOOT
3	AL7	216086	TRUMPF® STYLUS FOOT
4	L217	060653	TRUMPF® NOZZLE $\varnothing 0.8$
	L218	060653	TRUMPF® NOZZLE $\varnothing 1.0$
	L219	060653	TRUMPF® NOZZLE $\varnothing 1.4$

REPLACEMENT CO₂ LASER NOZZLES & ACCESSORIES



POS	II-VI p/n	OEM p/n	DESCRIPTION
1	L48		VALFIVRE® NOZZLE Ø 0.9
	L761		VALFIVRE® NOZZLE Ø 1.5

VALFIVRE

All original equipment manufacturer's names, drawings, colors, trademarks and part numbers are used for identification purposes only, and we are in no way implying that any of our products are original equipment parts. All parts advertised for sale in this catalog are made for and/or by II-VI Incorporated.

I-VI INFRARED ... the world leader in CO₂ laser optics

FOR ALL OF YOUR REPLACEMENT OPTIC NEEDS

888.558.1504 (toll-free) • 724.352.1504 (phone) • 724.352.4980 (fax) • www.iiviinfrared.com

I-VI

The advertisement features a collection of laser optics, including several circular lenses of varying sizes and colors (yellow, orange, and green) and a black nozzle with a silver ring. The nozzle has "I-VI INFRARED" and "HARRISBURG, PA U.S.A." engraved on it. The background is dark, making the optics stand out.

REPLACEMENT CO₂ LASER NOZZLES & ACCESSORIES

All orders received by II-VI Incorporated ("II-VI") are expressly conditioned upon the following conditions of sale:

1) Acceptance

Any additional or different terms set forth in any purchase order or other communication from Buyer are objected to and not binding upon II-VI unless and until accepted in writing by an authorized representative of II-VI.

2) Standard Warranty

II-VI warrants to the Buyer of each product of II-VI's own manufacture ("Product") that each Product will be free from defects in materials and workmanship subject to the following conditions:

The obligations of II-VI under this Standard Warranty shall be limited to either, at the option of II-VI: (1) the replacement or repair of any Product upon the shipment of such Product, freight prepaid by Buyer to the II-VI factory; or (2) the provision to Buyer of a credit against future purchases in an amount equal to the purchase price of the defective Product.

IN NO EVENT WILL II-VI BE LIABLE FOR ANY INCIDENTAL OR CONSEQUENTIAL DAMAGES OF BUYER. THE FOREGOING REMEDIES ARE THE SOLE AND EXCLUSIVE REMEDY OF BUYER FOR ANY BREACH OF WARRANTY UNDER THIS CONTRACT.

All claims under this Standard Warranty must be made within ONE (1) YEAR after the date on which the Product was delivered to Buyer. In the case of a replacement or repair of a Product, Buyer shall only ship a defective Product to II-VI after an authorized representative of II-VI has provided a Return Authorization (RA) number for such warranty claim. Returns will be subject to a 30% restocking fee.

With respect to such returns, Buyer is solely responsible for properly packaging any Product to be returned to II-VI under this Standard Warranty. Products must be packaged in their original manufacturer's packaging or equivalent. Products must be packaged in separate shipping containers with Return Authorization (RA) numbers clearly marked on the outside of the shipping containers. If there are questions regarding proper packaging and shipping, contact II-VI for guidelines. II-VI will not be responsible for replacing or repairing any Product damaged while in transit to II-VI due to faulty or deficient packaging.

This Standard Warranty shall be void and shall not apply with respect to any Product which, upon inspection by II-VI, shows evidence of damage as a result of abuse, misuse, mishandling, accidental damage, alteration, negligent handling, or improper installation or application, or as a result of alteration or other causes beyond the control of II-VI.

This Standard Warranty shall not apply to goods or parts included in or supplied with Products; such goods or parts carry only such warranties, if any, as are provided by the manufacturers of such goods or parts, which warranties may be more restrictive than the Standard Warranty provided by II-VI.

With respect to any previously-purchased Product, II-VI shall have no obligation to install updates or upgrades to any components in such Product, even if the exclusion of such updates or upgrades of such components renders such Product obsolete when compared to a new Product of a substantially similar type.

THERE ARE NO WARRANTIES THAT EXTEND BEYOND THE DESCRIPTION CONTAINED HEREIN. THIS WARRANTY VOIDS AND EXCLUDES ANY AND ALL OTHER WARRANTIES OR REPRESENTATIONS, WHETHER EXPRESS OR IMPLIED OR ARISING UNDER ANY LAW, RELATING TO THE GOODS, INCLUDING BUT NOT LIMITED TO WARRANTIES OF MERCHANTABILITY AND/OR FITNESS FOR ANY PARTICULAR PURPOSES.

NO PERSON, FIRM, OR CORPORATION IS AUTHORIZED TO ASSUME ON BEHALF OF II-VI ANY ADDITIONAL OBLIGATION OR LIABILITY NOT EXPRESSLY PROVIDED HEREIN, EXCEPT IN A WRITING DULY EXECUTED BY AN OFFICER OF II-VI.

3) Limitation of Liability

In no event shall II-VI be liable for any incidental or consequential damages. The liability of II-VI on any claim of any kind shall in no event exceed the price of the Product which gives rise to the claim. Except as to title, all such liability shall terminate upon expiration of the warranty period of the Product.

The invalidity of any of the previous paragraphs shall not affect the remainder of this paragraph or any other paragraph in this section.

4) Patent Infringement

Buyer shall hold II-VI harmless against any expense or loss resulting from infringement of patents or trademarks arising from compliance with Buyer's designs or specifications.

5) Delivery and Title

Delivery dates are approximate and are based upon prompt receipt of all necessary information from Buyer. Under no circumstances does II-VI guarantee date of shipment.

Unless otherwise specified by II-VI, shipment will be made and title will pass F.O.B. point of shipment. II-VI shall ship Products as it deems appropriate unless instructed otherwise in writing by Buyer.

6) Risk of Loss

Risk of loss or damage shall pass to Buyer upon shipment. Loss or damage that occurs during shipping by a carrier selected by Buyer is Buyer's responsibility.

7) Uncontrollable Delays

II-VI shall not be liable for delivery delays due to causes beyond its reasonable control including, but not limited to, acts of God, acts of Buyer, acts of military authority, governmental priorities, labor strikes, and transportation delays.

8) Financial Conditions

If II-VI determines in good faith that the financial condition of Buyer at any time does not justify the continuation of production or shipment on the terms of payment originally specified, II-VI may require full or partial payment in advance. In the event of Buyer bankruptcy or insolvency, II-VI shall be entitled to cancel any outstanding order and shall receive reimbursement for its cancellation charges.

9) Payment Terms

Unless terms are specifically set forth on the Order Acknowledgement, Buyer shall pay at such time and such terms as specified in II-VI's original invoice. Any quotations shall be valid for the period stated on the quotation.

10) Cancellation

Buyer may not cancel its order after shipment has been made. Buyer may cancel its order prior to shipment only upon written notice and consent of II-VI. If II-VI consents to any such cancellation, Buyer may be required to pay cancellation charges which include lost profits and all expenses incurred in connection with the cancelled order.

11) Jurisdiction

The validity, performance, and all matters relating to the interpretation and effect of this agreement shall be governed by the laws of the Commonwealth of Pennsylvania.

TERMS AND CONDITIONS OF SALE

All original equipment manufacturer's names, drawings, colors, trademarks and part numbers are used for identification purposes only, and we are in no way implying that any of our products are original equipment parts. All parts advertised for sale in this catalog are made for and/or by II-VI Incorporated.

WORLDWIDE SALES OFFICES

To place an order, contact a II-VI sales representative at any of the following locations, or log onto www.iiviinfrared.com/contact for our most complete and up-to-date information.

II-VI INFRARED

375 SAXONBURG BLVD
SAXONBURG, PA 16056
UNITED STATES

888.558.1504 (toll-free in USA)
724.352.1504 (phone)
724.352.4980 (fax)
info@iiviinfrared.com (e-mail)

II-VI WEST

36570 BRIGGS ROAD
MURRIETA, CA 92563
UNITED STATES

800.262.5273 (toll-free in USA)
951.926.7640 (phone)
951.926.1984 (fax)
info@iiviinfrared.com (e-mail)

II-VI BELGIUM NV

BAAIKENSSTRAAT 21/2
B-9240 ZELE
BELGIUM

32 (0) 52 45 86 10 (phone)
32 (0) 52 45 86 11 (fax)
sales@ii-vi.be (e-mail)

II-VI DEUTSCHLAND GmbH

IM TIEFEN SEE 58
D-64293 DARMSTADT
GERMANY

49 6151 880 629 (phone)
49 6151 896 667 (fax)
info@ii-vi.de (e-mail)

II-VI SUISSE S.à.r.l.

MOULIN-DU-CHOC
1122 ROMANEL-SUR-MORGES
SWITZERLAND

41 21 869 02 52 (phone)
41 21 869 93 08 (fax)
info@ii-vi-suisse.ch (e-mail)

II-VI UK LTD.

21 BURLEY ROAD
OAKHAM, RUTLAND
LE15 6DH
ENGLAND

44 1572 771 778 (phone)
44 1572 771 779 (fax)
salesii-vi@oakham.uk.com (e-mail)

II-VI JAPAN

WBG MARIVE EAST 17F
2-6 NAKASE, MIHAMA-KU
CHIBA-SHI, CHIBA 261-7117
JAPAN

81 43297 2693 (phone)
81 43297 3003 (fax)
center@ii-vi.co.jp (e-mail)

II-VI SINGAPORE PTE., LTD.

BLK. 5012, TECH PLACE II
#04-07 & 05-07/12
ANG MO KIO AVE. 5
SINGAPORE 569876

65 6481 8215 (phone)
65 6481 8702 (fax)
info@ii-vi.com.sg (e-mail)

II-VI OPTICS (SUZHOU) CO., LTD.

NO 12, SUTONG ROAD
SUZHOU INDUSTRIAL PARK
SUZHOU, CHINA 215021

86 512 6761 9295 (phone)
86 512 6761 5049 (fax)
twosix@ii-vi.com.cn (e-mail)

www.iiviinfrared.com