



# VDI

## Live tooling for CNC Lathes

Porte-outils tournants pour les tours CN / Portautensili motorizzati per tornio CN



Management System  
ISO 9001:2015



www.tuv.com  
ID 9105079298

# Tradition in precision

Since 1956 **Madaula** has stood for the highest quality and the best reliability of its products. We have more than 60 years of experience in design, development and manufacture all kind of heads for the machine tool industry.



Depuis 1956, **Madaula** est synonyme de la plus haute qualité et de la meilleur fiabilité pour ses produits. Nous avons plus de 60 ans d'expérience dans la conception, le développement et la fabrication de tous types de têtes pour l'industrie de la machine-outil.

Dal 1956 **Madaula** è sinonimo di massima qualità e di grande affidabilità. Abbiamo più di 60 anni di esperienza nella progettazione, sviluppo e produzione di tutti i tipi di teste per il settore delle macchine utensili.



## Innovation and reliability

We're focused on our ability to create products adapted to our customer's needs, reduce their manufacturing cost, thereby improving their competitive edge in the market.

We work to ensure optimally designed, precise, robust and durable products.

We love challenges. Our goal is to turn your vision into reality and thereby increase your productivity.

Nous nous sommes consacrés sur notre capacité à créer des produits adaptés aux besoins des clients, à réduire leurs coûts de fabrication et ainsi améliorer leur avantage compétitive sur le marché. Nous travaillons pour créer des produits de conception optimale, durables, robustes et précis. Nous aimons les défis. Notre objectif est d'augmenter votre productivité.

Siamo concentrati sulla nostra capacità di creare prodotti adatti alle esigenze dei nostri clienti, ridurre i loro costi di produzione, migliorando in tal modo il loro vantaggio competitivo nel mercato. Lavoriamo costantemente per progettare in modo ottimale i nostri prodotti per renderli precisi, robusti e durevoli.

Noi amiamo le sfide. Il nostro obiettivo è quello di trasformare la vostra richiesta in realtà e di conseguenza aumentare la vostra produttività.

## All over the world

Our head office and factory are located in Barcelona, recognized city throughout the world by the creativity and constant innovation of its industries.

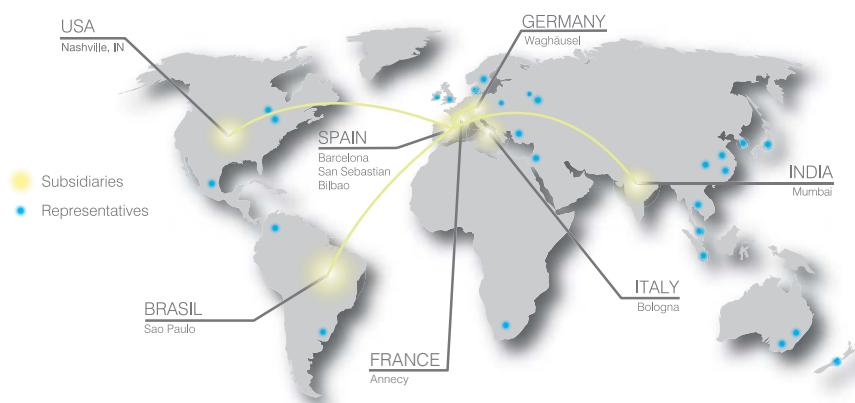
We sell all over the world with subsidiaries in Germany, USA, Italy, France, Brazil and India, with representatives all over the world. We export the 80% of our production.

Notre siège social et l'usine sont situés à Barcelone, ville reconnue mondialement par sa la créativité et constante innovation.

Nous vendons partout dans le globe avec des filiales en Allemagne, USA, Italie, France, Brésil et l'Inde, et avec des représentations dans le monde entier. Nous exportons le 80% de notre production.

La nostra sede principale e lo stabilimento si trova a Barcellona, città riconosciuta in tutto il mondo per la creatività e l'innovazione costante delle sue industrie.

Vendiamo in tutto il mondo con filiali in Germania, Stati Uniti, Italia, Francia, Brasile e India con i rap-presentanti di tutto il mondo. Espor-tiamo l'80% della nostra produzione.



## Manufacturing facilities

We welcome you to our facilities. Madaula has a continuous improvement policy, we invest to improve our technical production, assembly and quality departments.

Soyez les bienvenus dans nos nou-velles installations. Madaula investit constamment afin d'accroître sa capacité de production. Nous avons développé nos départements usina-ge et montage mais aussi qualité.

Abbiamo il piacere di informarvi a riguardo i nostri nuovi servizi. Madaula investe per migliorare la propria capacità di produzione di utensili. Ampliamo i nostri reparti di assemblaggio e di qualità.



# Passion for precision

- Precise and rigid manufacture
- Adaptable to all types of machines
- 100% Checked and tested
- High speed rotation
- Longer tool life

**Modular design. All types of turret connections and drive couplings available.**

Concept modulaire. Nous fabriquons tous les types de connection et entrainement aux différentes tourelles.

Disegno modulare. Tutti i tipi di connessioni torretta e trascinamento disponibili.

**Improved sealing design combining a labyrinth and optimized friction seals to get hermetically sealed spindles.**

Amélioration de la conception de l'étanchéité en combinant un labyrinthe et joints à friction optimisée pour obtenir une parfaite étanchéité.

Disegno migliorato che combina labirinti e guarnizioni di tenuta, ottimizzati per ottenere mandrini ermetici.

**Adjustable coolant nozzle.**

Buse orientable pour l'arrosage.

Ugello refrigerante regolabile.

**Multiple output options.**

Multiples options de sortie.

Diverse opzioni di uscita.

**Primary labyrinth seal.**

Joint à labyrinthe primaire.

Tenuta primaria a labirinto.

**High precision P4 quality preloaded bearings.**

Roulements de haute précision P4 préchargés.

Cuscinetti di alta precisione qualità P4 precaricati.

**Hardened aluminium bodies for light heads. Steel bodies for heavy heads. Bodies machined from a solid block.**

Corps en aluminium durcis pour les têtes légères. Corps en acier pour les têtes lourdes. Corps usinés du massif.

Corpi in alluminio temprato per teste piccole. Corpi in acciaio per teste pesanti. Corpi lavorati dal pieno.

**Fixed type or easy alignment system. Reduced set up time.**

Système fixe ou de réglage facile. Temps de mise à point réduit.

Sistema fisso oppure di facile regolazione. Tempo di installazione ridotto.

**Available with coolant through the spindle up to 80 bar.**

Disponible avec passage du liquide de refroidissement à travers de la broche jusqu'à 80 bar.

Disponibili con refrigerante interno mandrino fino 80 bar.

**High grade synthetic grease for long life lubrication.**

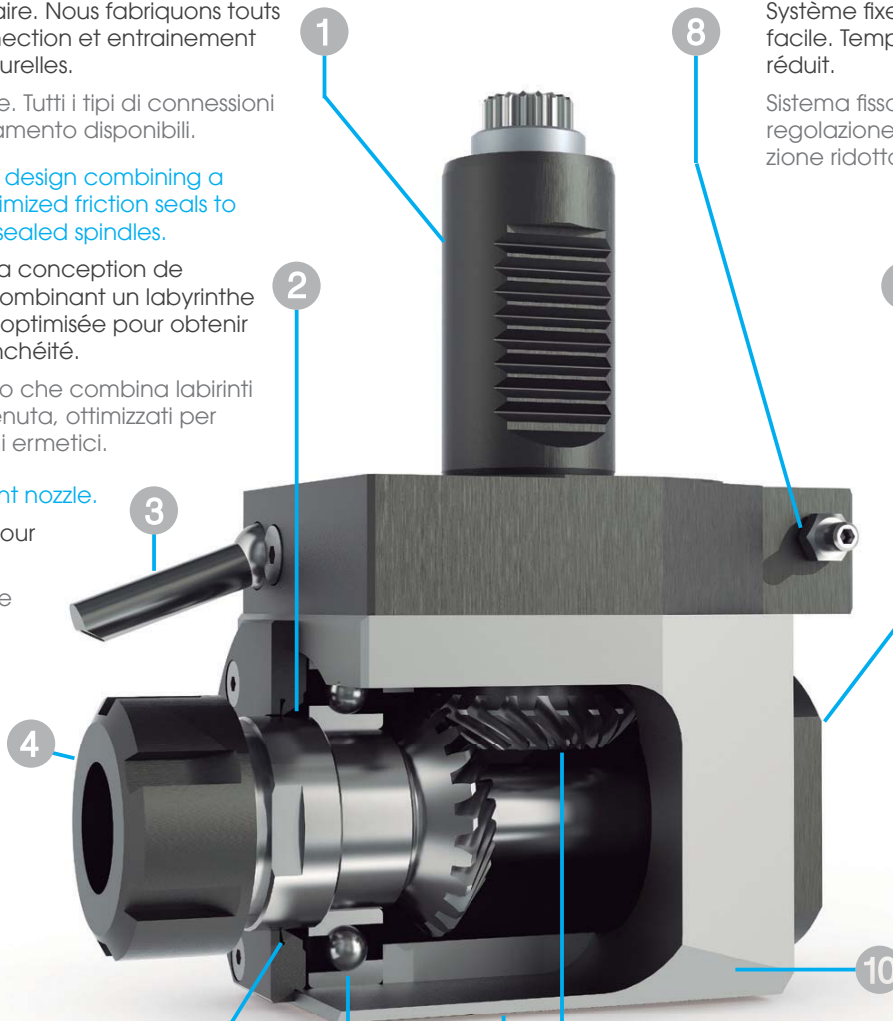
Lubrification à la graisse à longue durée de vie.

Grasso sintetico per la lubrificazione a lunga durata.

**Hand matched or ground spiral bevel gears with new tooth geometry and surface treatments to minimize backlash. Smooth and quiet running with 30-50% higher torque.**

Engrenages spiro-coniques rectifiés ou rodés pour un jeu de denture optimal, avec de nouvelles géométries de dents et des traitements de surfaces les plus performants. Fonctionnement souple et silencieux avec un accroissement de 30 à 50 % du couple transmissible.

Abbinato realizzato ingranaggi conici con spirale modificata che permette di ridurre al minimo il gioco di trasmissione. Questi ingranaggi sono realizzati con materiali e trattamenti specifici per aumentarne la durata. La qualità del dente e il materiale utilizzato ci permette di trasmettere una Coppia dal 30-50% maggiore.



## VDI Series

### 7 BARUFFALDI

**VDI-30: Baruffaldi:** VDI30 TOEM (DISC), VDI30 TOEM (STAR), **Ecoca:** MT-308MCS (DISC), **Edel:** SL35 (DISC), **Johnford:** SL 20, 30, 35, 40 (DISC), **Spinner:** TC400 (DISC), TC46 (DISC), TC52 (DISC), TC600 MCY/SMCY VDI30 (STAR), TC65 (DISC), TC67 VDI30 (DISC), TC80 VDI30 (DISC), TS46 (DISC), TS66LMC (DISC), **Traub:** TND 200 (DISC)

**VDI-40: Accuway:** UT-300/300L (DISC), **Baruffaldi:** VDI40 TOEM (DISC), **CMZ:** TL 20M (VDI40) (DISC), **Ecoca:** MT-308MC (DISC), MT-310MC (DISC), MT-312MC (DISC), **Johnford:** SL 50, 60, 65 (DISC), **Spinner:** TC600 MC VDI40 (DISC), TC67 VDI40 (DISC), TC80 VDI40 (DISC), TC800 MC VDI40 (DISC), **Style:** Style 750 (DISC), **Topper:** TB 20Y (STAR), TB 25YMBC (STAR), TBMR 200 (STAR), TNL 120 ALS (STAR)

**VDI-50: Angelini:** Excell SLT630 (DISC), **Baruffaldi:** VDI50 TOEM (DISC), **CMZ:** TBI 520 (DISC), **Ecoca:** MT-415MC (DISC), **Johnford:** HT 40, 60, 80 (DISC), SL 70, 80, 100, 120 (DISC), ST 100, 130, 160, 200, 240 A/B (DISC), ST 40, 60, 70, 80 (DISC), **Spinner:** TC 800 MC VDI50 (DISC), TC108 MC (DISC), TC110 MC (DISC), TC77 SMC (DISC), TC82 VDI50 (DISC), **Taksan:** TTC630 Baruffaldi (DISC)

### 13 DIPLOMATIC DIN-1809

**VDI-30: Accuway:** UT-200 (DISC), **Angelini:** Felix CNC (DISC), Snupy Diplomaticrevolver (DISC), **Biglia:** B111 VDI30 (DISC), B42 VDI30 1809 (DISC), **Cazeneuve:** CTN210 (DISC), **Chevalier:** FCL-820MC (DISC), **Chiah Chyun:** C-4212TM (DISC), **Ching Hung:** CL200 (DISC), **Cincinnati:** HTC150 (DISC), **CNC Takang:** TNC-20N (DISC), **Daewoo:** PUMA 200 M (DISC), **Diplomatic:** VDI30 1809 (DISC), **EMCO:** 345 old (DISC), 360 (DISC), E300 (DISC), EMCOTURN 345/II DIN1809 (DISC), **Fadal:** PTC150 (DISC), **Fair Friend:** FTC-10 (DISC), FTC-25MC (DISC), **Focus CNC:** FCL 200MC (DISC), **HURCO:** TMM8i (STAR), **Hwacheon:** Cutex 160 (STAR), **Jinn Fa:** JCL 60M (DISC), **Jyoti:** ATM 160 (VDI30) (DISC), AX 200 VDI30 (DISC), **Leadwell:** LTC 20M / 20iM (DISC), T6 M (DISC), **Magdeburger:** M110 (DISC), **Romi:** GL240M (DISC), GL250M (DISC), **Saeilo:** Contur LT-15 MC (DISC), **Schaublin** 140CNC (DISC), 180CCN (DISC), TMY=TR16-100-D/12, **YCM:** GT200 MA (DISC), TC16 MA/MB (DISC), **YEONG CHIN:** TCR26/26L (DISC)

**VDI-40: Alex-Tech:** VT28-28BL (DISC), **BATLIBOI:** Sprint 25TC (DISC), **Biglia:** B111 VDI40 (DISC), B200 VDI40 (DISC), B56 VDI40 (DISC), **Chevalier:** FCL-1028MC (DISC), **CHING HUNG:** CL260 (DISC), CL38 (DISC), **Cincinnati:** HTC200 (DISC), HTC250 (DISC), **CNC Takang:** TNC-2000DST (DISC), TNC-30N (DISC), **Daewoo:** PUMA 200 MS (DISC), PUMA 250 MS (DISC), **Diplomatic:** VDI40 1809 (DISC), **EMCO:** ET500 (DISC), **Fadal:** PTC250 (DISC), **Fair Friend:** FTC-20 (DISC), FTC-30 (DISC), **Focus CNC:** FCL 300MC (DISC), **Hardinge:** Talent 10/78 (DISC), **Hitachi Seiki:** CS20/CS25 (DISC), Hicell 23S (DISC), HT 200/250 (DISC), HT 20S (DISC), HT 23R (DISC), HT 25G (DISC), **HURCO:** TMM10 (STAR), TMM10i (STAR), TMX10 MY/MYS 1809 (STAR), TMX8 MY/MYS 1809 (STAR), **Hyundai WIA:** Hit 20M/200M/250M (DISC), **Kovosvit MAS:** S50 VDI40 (DISC), **Leadwell:** LTC 25 BLM (DISC), T8 M (DISC), **Magdeburger:** M120 (DISC), **Romi:** G30M 1809 (DISC), GL250M (DISC), GL280M (DISC), GL300M (DISC), **Saeilo:** Contur LT-20 MC (DISC), **SOMAB:** Transmab 500 (DISC), **Taksan:** TTC630 Diplomatic (DISC), **TOPPER:** TB 25YMBC DIN1809 (STAR), **YCM:** GT250 MA/LMA/MB/LMB (DISC), GT300 MA/LMA/MB/LMB (DISC)

**VDI-50: Cacta:** CAT500 (DISC), **Daewoo:** PUMA 350 M (DISC), PUMA 400 M (DISC), **Diplomatic:** VDI50 1809 (DISC), **EMCO:** ET700 (DISC), ET800 (DISC), Maxx turn 110 (DISC), **HURCO:** TMM12i (STAR), **Kovosvit MAS:** KL 435 (DISC), SP 430 (DISC), SP 630 (DISC), **SOMAB:** Transmab 850 (DISC), **Tajmac-ZPS:** TCH 500 (DISC), Transmab 600 (DISC)

### 20 HAAS

**VDI-40: Haas:** DF-20/30 Y Hybrid VB12 (DISC), DS-20/30 SS/SSY-Hybrid VB24 (DISC), DS-20/30 Y-Hybrid VB12 (DISC), SL-20 Hybrid VB12 (DISC), SL-30 Hybrid VB12 (DISC), SL-40 (DISC), ST-20/30 SS/SSY-Hybrid VB24 (DISC), ST-20/30 Y Hybrid VB12 (DISC), ST-40 (DISC), TL-15 (DISC), TL-25 (DISC)

### 27 INDEX

**VDI-30: Index:** B400 VDI30 (STAR), G220 VDI30 (STAR), G250 VDI30 (STAR), G300 VDI30 (STAR), V160 VDI30 (STAR), V250 VDI30 (STAR), V300 VDI30 (STAR), **Traub:** TNA 400.2 VDI30 (STAR), TNX 65 VDI30 (STAR)

**VDI-40: Index:** G250 VDI40 (STAR), **Traub:** TNA 400.2 VDI40 (STAR)



## 29 MAZAK

**VDI-40 / 61:** QT 100 M/MS/MY/MSY (STAR), QT 200 M/MS/MY/MSY 16ST (STAR), QT 250 M/MS/MY/MSY 16ST (STAR), QTN 100 M/MS/MY/MSY (STAR), QTNX 100 M/MS/MY/MSY (STAR), QTNX 200 M/MS/MY/MSY 16ST (STAR), QTNX 250 M/MS/MY/MSY 16ST (STAR), SQT 10 M/MS (STAR), SQT 100 M/MS/MY/MSY (STAR), SQT 200 M/MS/MY/MSY (STAR), SQT 200 M/MS/MY/MSY 16ST (STAR), SQT 250 M/MS/MY/MSY (STAR), SQT 250 M/MS/MY/MSY 16ST (STAR)

**VDI-40 / 78:** IVS-200, 300 M (STAR), MZ40V (STAR), QT 200 M/MS/MY/MSY (STAR), QT 250 M/MS/MY/MSY (STAR), QTN 200 M/MS/MY/MSY (STAR), QTN 250 M/MS/MY/MSY (STAR), SQT 15 M/MS/MY/MSY (STAR), SQT 18 M/MS/MY/MSY (STAR), SQT 200 M/MS/MY/MSY (STAR), SQT 250 M/MS/MY/MSY (STAR), Super Quadrex 200 M (STAR), Super Quadrex 250 M (STAR)

## 31 OKUMA

**VDI-30:** ES L6 II-M (DISC), ES L8 II-M (DISC), Genos L200 E-M/MY V12M (DISC), Genos L2000 E-M (DISC), LB 10-M (DISC), LB 10-MW (DISC), LB 2000-M (DISC), LB 200-M (DISC), LB 200-MW (DISC), LB 200-MY (DISC), LR 10 (DISC), LT 10-M (STAR), LT 200-M (STAR), LU 2000-M (DISC), LU 200-M (DISC) VL2 / VLC100, VL2 P, VL4-V2, VT2 / VTC100

**VDI-40 / 93:** Captain L370 M/MW (DISC), ES L10 II M (DISC), Genos L300 E-M/MY V12M (DISC), Genos L3000 E-M (DISC), LB 15 (DISC), LB 300 MW (STAR), LBR 370 (DISC), LT 15 (STAR), LT 300-M (STAR), LU 15 (DISC), LVT 300 M (DISC), MacTurn 250 (STAR), MacTurn 350 (STAR), MacTurn 550 (STAR)

**VDI-40 / 101:** Captain L470 M (DISC), LB 25-M (DISC), LB 4000 (DISC), LB 400-M (DISC), LR 25 (DISC), LU 25-M (DISC), LU 400-M (DISC), LVT 400-M (DISC)

**VDI-50:** LB 35 M (DISC), LU 35 II M (DISC)

## 38 SAUTER DIN-5480

**VDI-30: Accuway:** UT-100 M (DISC), **AKIRA SEIKI:** SL 25-MC (DISC), **Angelini:** Zenit (STAR), **Avia:** 30 M (STAR), 35 M/MS (STAR), **Colchester:** T6MS (STAR), T8MS (STAR), T8MSY VDI30 (STAR), **DMG MORI / Gildemeister:** CLX 350 V1/V3/V4 (STAR), CLX 350 V6 (STAR), CTV 160 right (STAR), CTV 160 right (STAR, VERTICAL), CTX 210 (DISC), CTX 210 (STAR), CTX 300 (STAR), CTX 310 (DISC), CTX 310 (STAR), CTX 310 eco DIN5480 (DISC), CTX 320 Schaff 30 (DISC), CTX 320 Schaff 30 (STAR), CTX 320 V1-V3 (DISC), CTX 320 V4-V6 (DISC), CTX 400E Schaff 30 V5 (STAR), CTX 410 Schaff 30 (DISC), CTX 410 Schaff 30 (STAR), CTX 420 Schaff 30 (STAR), CTX alpha 300 (DISC), CTX alpha 500 (DISC), CTX alpha 500 (STAR), CTX alpha 500 V6 VDI30 (STAR), CTX beta 1250 VDI30 (DISC), CTX beta 1250 VDI30 (STAR), CTX beta 500 VDI30 (DISC), CTX beta 500 VDI30 (STAR), CTX beta 800 VDI30 (DISC), CTX beta 800 VDI30 (STAR), ecoTURN 310 (DISC), GM 70 5480 (STAR), NEF 400 (DISC), Sprint 65 (STAR), TWIN 102 Schaff 30 (STAR), TWIN 42 (STAR), TWIN 65 Schaff 30 (STAR), **Doosan:** S240LM (STAR), S280M Schaff 30 (STAR), S310M (STAR), S310NM (STAR), Z290 (STAR), **Diplomatic:** VDI30 5480 (DISC), **EMCO:** 345 new (DISC), 365 new (STAR), 365 old (STAR), 465 new (STAR), 465 old (STAR), Concept turn 450/460 (DISC), E45 (DISC), E65 (DISC), EMCOTURN 345/II DIN5480 (DISC), Hyperturn 645 (STAR), Hyperturn 665 (STAR), Hyperturn 690 (STAR), Maxx Turn 65 (STAR), **Force ONE:** FCL-450TM/S, 550TM/S, 580TM (STAR, VERTICAL), **Ganesh:** ASL-100 M (VDI30) (STAR), **Gedee Weiler:** Uniturn 300, 400 (STAR), **Gital:** Gmc70 (STAR), **Graziano:** CTX 320 V4-V6 (STAR), GT300 (STAR), TWIN 50 (STAR), **Hardinge:** Elite 8/51 (STAR), Elite 8/52 (STAR), GS150M VDI30 (DISC), GS150M VDI30 (STAR), GS200M VDI30 (DISC), GS200M VDI30 (STAR), Talent 6/45 + 8/52 (DISC), Talent VDI30 new (DISC), **HURCO:** TMM8 (STAR), **Hyundai WIA:** L 200, 250Y/SY (STAR), SKT 200, 250Y/SY (STAR), **Kovosvit MAS:** Hi Turn 65-9x (STAR), SP 180 MC/Y (DISC), **KUEN JENG:** KL-645 (DISC), **Leadwell:** LTC8T25MY VDI30 (STAR), **LMW:** LL20TM/MYL5 (VDI30) (STAR), **Magdeburger:** MV100 (DISC), **Monforts:** DNC3 (STAR), **Mori Seiki:** Dura turn 310Eco (DISC), **NCT:** JCL 60 YTSM (STAR), **Saeilo:** Contur TSL-300 (DISC), **Sauter >** VDI30 5480 (DISC) / (STAR), **Scherer Feinbau:** VDZ120 L Schaff30 (STAR, VERTICAL), VDZ120 R Schaff30 (STAR, VERTICAL), **Schuster:** VTM350 Future line (STAR, VERTICAL), **Spinner:** UP65-SMC (STAR), **TRENS:** SBL300 (STAR), **UVA:** T44 (DISC), T51 (DISC), **Victor:** Vturn 16CV (STAR), Vturn 20CV (STAR), Vturn II 20YCV (STAR), **Weiler:** DZ67 (STAR), **WIA(KIA):** L150 SY (STAR)

**VDI-40:** **Alex-Tech:** VT 21/23MS (STAR), **Avia:** 50 M/MS (STAR), **Boehringer:** NG180 (STAR), NG200 (STAR), NV250 left (STAR, VERTICAL), NV250 right (STAR, VERTICAL), **Colchester:** T10M (DISC), **DMG MORI / Gildemeister:** CTV 200 left (STAR, VERTICAL), CTV 200 right (STAR, VERTICAL), CTV 250 left (STAR, VERTICAL), CTV 250 right (STAR, VERTICAL), CTX 2500 VDI40 (DISC), CTX 450 eco (DISC), CTX 510 eco 5480 (DISC), CTX beta 1250 VDI40 (DISC), CTX beta 500 VDI40 (DISC), CTX beta 800 VDI40 (DISC), CTX gamma 1250 VDI40 (STAR), CTX gamma 2000 VDI40 (STAR), ecoTURN 450 (DISC), ecoTURN 510 (DISC), GMX 250 (STAR), GMX 300 (STAR), GMX 400 (STAR), GMX 500 (STAR), NEF 600 (DISC), TWIN 102 Schaff 40 (STAR), TWIN 65 Schaff 40 (STAR), **Doosan:** S390LM (STAR), S550LM (STAR), **Diplomatic:** VDI40 5480 (DISC) / (STAR), **EMCO:** ET500 (STAR), Maxx Turn 95 (DISC), VT 250/260/400 (STAR, VERTICAL), **Fair Friend:** FTC-35-2S (STAR), **FAMAR:** Pronto 6 (STAR), **FMS:** NDM 20 (STAR), **Force ONE:** FCL-580TMS (STAR), **Fortune:** Vturn II 26 (DISC), **Graziano:** CTX 500 (STAR), **Hardinge:** GS200MSY (STAR), GS250M VDI40 (DISC), **Hessapp:** Blueturn250 left (STAR, VERTICAL), Blueturn250 right (STAR, VERTICAL), **HURCO:** TMX10 MY/MYS 5480 (STAR), TMX8 MY/MYS 5480 (STAR), **Jyoti:** TMC 350 (VDI40) (STAR), TMX 200 (VDI40) (STAR), **KIA:** SKT 210 (STAR), SKT 210 SY (DISC), **Kovosvit MAS:** KL 285 MC/Y (DISC), SP 280 MC/Y (DISC), SP 280 SMC/SY (STAR), **Leadwell:** LTC8T25MY VDI40 (STAR), T85M (DISC), T85M (STAR), **MAG:** VDF 300T (STAR), **Magdeburger:** MV160 (DISC), **MC Machinery:** LT-400/520M (DISC), **Monforts:** DNC5 (STAR), DNC500 (STAR), Duo Turn (STAR), MHC (STAR), RNC400 Duo Turn (STAR), **Mori Seiki:** DuraTurn 510Eco (DISC), **NILES:** N30 (STAR), **PROMAX:** E 450/450 L (DISC), **Romi:** G30M 5480 (DISC), G30M VDI40 (DISC), **Saeilo:** Contur LT-400 MCMCY (STAR), **Sauter:** VDI40 5480 (DISC) / (STAR), **Scherer Feinbau:** VDZ120 L Schaff40 (STAR, VERTICAL), VDZ120 R Schaff40 (STAR, VERTICAL), **Schuster:** VD20, P30 (DISC), **Shandong Precision:** CH-6145-2T (STAR), **TRENS:** SBL500 DIN5480 (DISC), SBL700 (DISC), **Victor:** Vturn 23BCV (STAR), Vturn 26/110CV (STAR), Vturn 26/60CV (STAR), **Viper:** VT2300YMS (DISC), VT2300YMS (STAR), **WFL:** M35/M35G (STAR), **WIA(KIA):** SKT 210 (STAR), SKT 210 SY (DISC), SKT 210 SY (STAR), SKT 250 Y (STAR), SKT 300 (STAR)

**VDI-50:** **DMG MORI / Gildemeister:** CTV 400 linear (STAR), CTX 600 linear (DISC), CTX 620 linear (DISC), CTX beta 2000 VDI50 (DISC), CTX gamma 1250 VDI50 (DISC), CTX gamma 1250 VDI50 (STAR), CTX gamma 2000 VDI50 (DISC), ecoTURN 650 (DISC), **Diplomatic:** VDI50 5480 (DISC), **EMCO:** Maxx turn 110 (DISC), **FMS:** NDM 40 (STAR), **Graziano:** CTX 620 (DISC), **HACO:** FCT700 (DISC), **Hessapp:** DVH450 left (STAR, VERTICAL), **Pittler:** PV 630 (STAR), **Romi:** G30M VDI50 (DISC), G50M (DISC), Galaxy 50M (DISC), **Sauter:** VDI50 5480 (DISC), **Scherer Feinbau:** VDZ420 L (STAR, VERTICAL), VDZ420 R (STAR, VERTICAL), **Victor:** V36 (DISC), Vturn 36/40/45/46CV (DIN5480) (STAR), Vturn V760CV (STAR)



## 47 SAUTER DIN-5482

**VDI-30:** **Angelini:** Snupy Sauterrevoler (DISC), **Colchester:** T6M (DISC), Tornado 120M (DISC), **DMG MORI / Gildemeister:** CTX 310 5482 old (DISC), CTX 310 eco 5482 (DISC), CTX 400 Serie 2 (DISC), CTX 400E V1-V3 (DISC), **Graziano:** GR350C (DISC), GT400 (DISC), **Hardinge:** Talent VDI30 old (DISC), **Kern:** CD402 VDI30 (DISC), DMT VDI30 (DISC), KDS300 (DISC), **Monarch:** Predator (DISC), **Monforts:** RNC2 (DISC), RNC200 (DISC), RNC3 (DISC), RNC300 (DISC), **Sauter:** VDI30 5482 (DISC), **Schuster:** VTM350 (DISC), **Traub:** TNA 300 (DISC), TNE 300 (DISC), TNE 400 (DISC), **TRENS:** SBL300 (DISC), **Victor:** Vturn 20CV (DISC), **Voest:** WNC300 (DISC), **Weiler:** DZ45 VDI30 (DISC), **WFL:** WNC300 (DISC)

**VDI-40:** **Angelini:** Bravo (DISC), DG13 CNC (DISC), **Boehringer:** DUS 560 (DISC), **Campro:** CPL20MC (DISC), **Colchester:** T8M (DISC), Tornado 220M (DISC), TSL500 (DISC), **Contur:** TSL500 (DISC), **DMG MORI / Gildemeister:** CTX 400 Schaff 40 (DISC), CTX 500 (DISC), CTX 510 eco 5482 (DISC), CTX 600 Schaff 40 (DISC), MD5IT (DISC), **DMTG ingersoll:** I40 (DISC), **Doosan:** S390LM (DISC), **FAT:** TUR 560/630/630 A MN (DISC), **Heyligenstaedt:** Heynumat 5 (DISC), **Hyundai WIA:** L 150, 210 LMA/LMSA (DISC), SKT 15, 21LM (DISC), **Kern:** CD402 VDI40 (DISC), CD650 (DISC), DMT VDI40 (DISC), **KIA:** SKT 15 LM/LMS (DISC), SKT 21 LM/LMS (DISC), **Magdeburger:** M300 (DISC), **Monforts:** RNC4 (DISC), RNC400 (DISC), RNC5 (DISC), RNC500 (DISC), **Saeilo:** Contur TSL-500 (DISC), **Sauter:** VDI40 5482 (DISC), **Traub:** TNA 400 (DISC), **TRENS:** SBL500 DIN5482 (DISC), **Victor:** Vturn-V560CV (DISC), **Voest:** WNC300 VDI40 (DISC), WNC400 (DISC), **WFL:** WNC300 VDI40 (DISC), WNC400 (DISC), **WIA(KIA):** L150 LMA/LMAS (DISC), L210 LMA/LMAS (DISC), SKT 15 LMS (DISC), SKT 21 LMS (DISC)

**VDI-50:** **Avia:** Aviaturn 63M (DISC), **Contur:** HSL700 (DISC), **DMG MORI / Gildemeister:** CLX 750 V1/V3/V4 (DISC), CTX 600 (DISC), GT 700 (DISC), **Graziano:** CTX 700 (DISC), **Hessapp:** DVH450 right (STAR, VERTICAL), DVT630 5482 (STAR), **Heyligenstaedt:** Heynumat 15 (DISC), **Magdeburger:** M400 Schaff50 (DISC), M500 (DISC), **Maho Graziano:** GR500 VDI50 (DISC), MT600 (DISC), **Monforts:** RNC600 (DISC), RNC700 MNC 1000 (DISC), **Niles:** N30 VDI50 (DISC), **Saeilo:** Contur HSL-700 (DISC), **Sauter:** VDI50 5482 (DISC), **Voest:** WNC500 (DISC), **WFL:** WNC500 (DISC)

## VDI-30 Models

**Baruffaldi:** VDI30 TOEM (DISC)

VDI30 TOEM (STAR)

**Ecoca:** MT-308MCS

**Edel:** SL35

**Johnford:** SL 20, 30, 35, 40

**Spinner:** TC400/ TC46 / TC52

TC600 MCY/SMCY VDI30/ TC65/ TC67 VDI30

TC80 VDI30 / TS46 / TS66LMC

**Traub:** TND 200

## VDI-40 Models

**Accuway:** UT-300/300L

**Baruffaldi:** VDI40 TOEM

**CMZ:** TL 20M (VDI40)

**Ecoca:** MT-308MC

MT-310MC / MT-312MC

**Johnford:** SL 50, 60, 65

**Spinner:** TC600 MC VDI40

TC67 VDI40 / TC80 VDI40 / TC800 MC VDI40

**Style:** Style 750

**Topper:** TB 20Y

TB 25YMBC / TBMR 200 / TNL 120 ALS

## VDI-50 Models

**Angelini:** Excell SLT630

**Baruffaldi:** VDI50 TOEM

**CMZ:** TBI 520

**Ecoca:** MT-415MC

**Johnford:** HT 40, 60, 80/ SL 70, 80, 100, 120

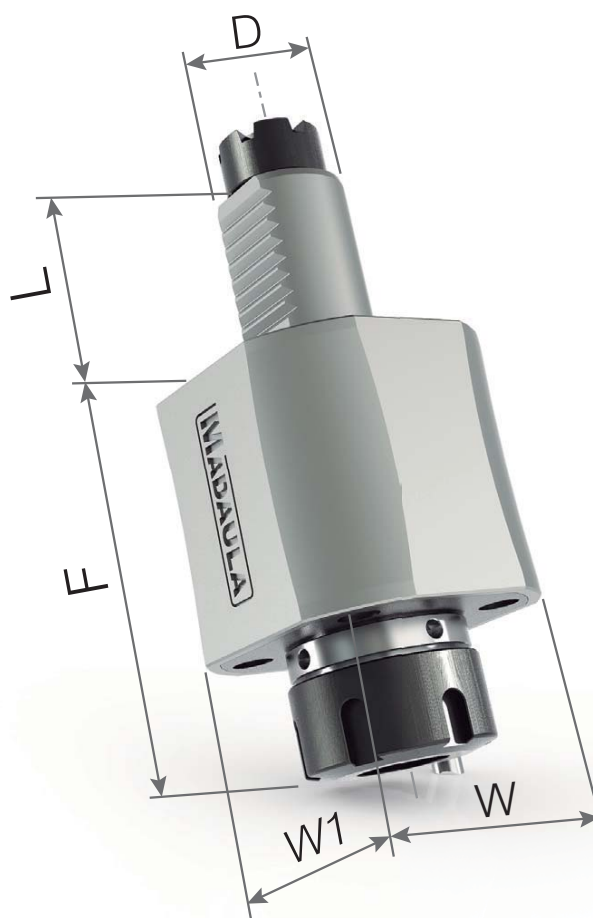
ST 100, 130, 160, 200, 240 A/B






ST 40, 60, 70, 80

**Spinner:** TC 800 MC VDI50

TC108 MC / TC110 MC / TC77 SMC / TC82 VDI50

**Taksan:** TTC630 Baruffaldi (DISC)



Code	D mm		 RPM. Max.	 1:1	 Nm. Max.		F mm	L mm	W mm	W1 mm			
VDI-30	BF.000.30	30	ER-25	6.000	1:1	28	-	90	45	64	68		
	BF.005.30	30	ER-25	6.000	1:1	28	20bar						
	BF.005.30/HP	30	ER-25A	6.000	1:1	28	80bar	88.5	67	67			
VDI-40	BF.000.40-ER25	40	ER-25	6.000	1:1	50	-	106	53	80	86		
	BF.000.40-ER32	40	ER-32	6.000	1:1	50	-					109	
	BF.005.40-ER25	40	ER-25	6.000	1:1	50	20bar	106					
	BF.005.40-ER32	40	ER-32	6.000	1:1	50	20bar	109					
	BF.005.40/HP-ER25	40	ER-25A	6.000	1:1	50	80bar	93.5				79	79
	BF.005.40/HP-ER32	40	ER-32A	6.000	1:1	50	80bar						
VDI-50	BF.000.50-ER32	50	ER-32	6.000	1:1	80	-	114	71	88	88		
	BF.000.50-ER40	50	ER-40	6.000	1:1	80	-	116					
	BF.005.50-ER32	50	ER-32	6.000	1:1	80	20bar	114					
	BF.005.50-ER40	50	ER-40	6.000	1:1	80	20bar	116					

\* The livetools can be equipped with Weldon shaft or shell-mill shaft upon request.

## VDI-30 Models

**Baruffaldi:** VDI30 TOEM (DISC)

VDI30 TOEM (STAR)

**Ecoca:** MT-308MCS

**Edel:** SL35

**Johnford:** SL 20, 30, 35, 40

**Spinner:** TC400

TC46

TC52

TC600 MCY/SMCY VDI30

TC65

TC67 VDI30

TC80 VDI30

TS46

TS66LMC

**Traub:** TND 200

## VDI-40 Models

**Accuway:** UT-300/300L

**Baruffaldi:** VDI40 TOEM

**CMZ:** TL 20M (VDI40)

**Ecoca:** MT-308MC

MT-310MC

MT-312MC

**Johnford:** SL 50, 60, 65

**Spinner:** TC600 MC VDI40

TC67 VDI40

TC80 VDI40

TC800 MC VDI40

**Style:** Style 750

**Topper:** TB 20Y

TB 25YBMC / TBMR 200 / TNL 120 ALS

## VDI-50 Models

**Angelini:** Excell SLT630

**Baruffaldi:** VDI50 TOEM

**CMZ:** TBI 520

**Ecoca:** MT-415MC

**Johnford:** HT 40, 60, 80

SL 70, 80, 100, 120

ST 100, 130, 160, 200, 240 A/B

ST 40, 60, 70, 80

**Spinner:** TC 800 MC VDI50

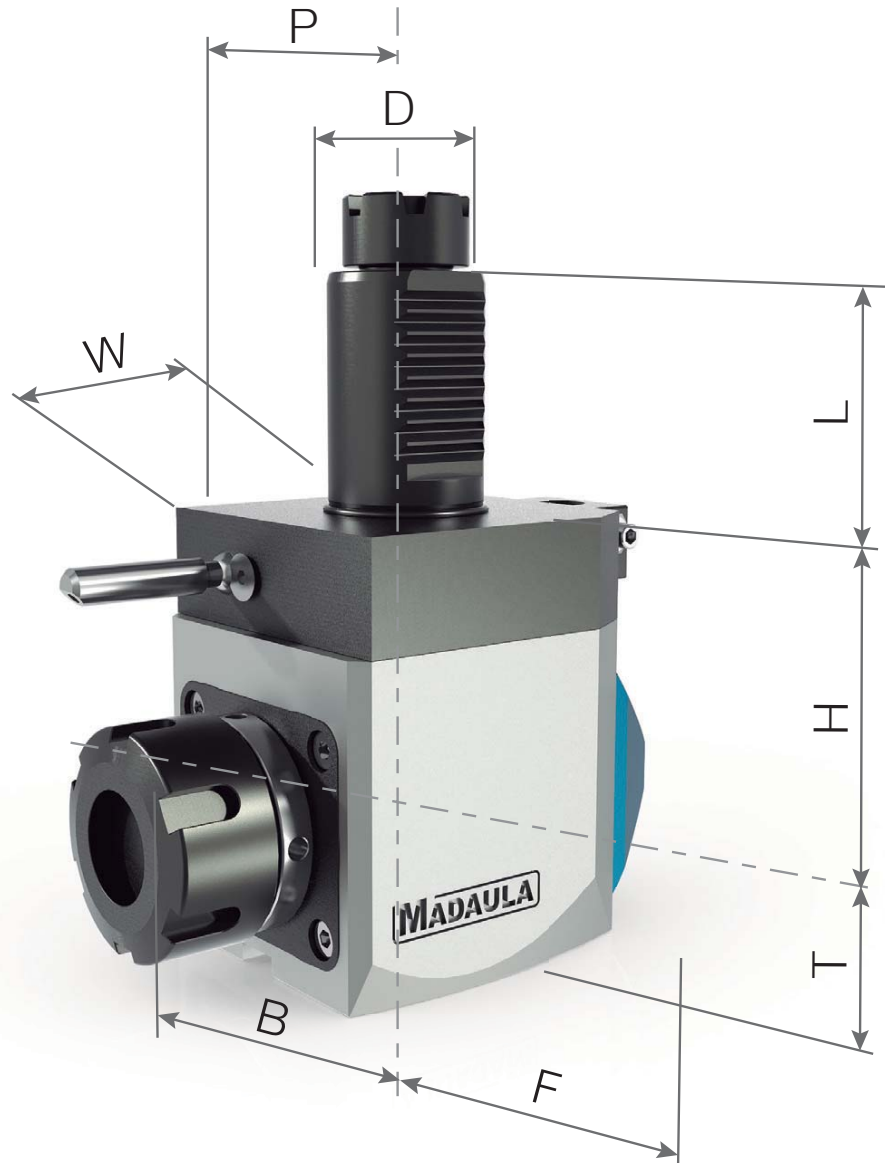
TC108 MC






TC110 MC

TC77 SMC

TC82 VDI50

**Taksan:** TTC630 Baruffaldi (DISC)



Code	D mm		 RPM. Max.	 1:1	 Nm. Max.		H mm	B mm	F mm	L mm	P mm	T mm	W mm	
VDI-30	BF.010.30-H55	30	ER-25	6.000	1:1	28	-	55	48	65	45	48	29	64
	BF.010.30-H85	30	ER-25	6.000	1:1	28	-	85						
	BF.016.30-H55	30	ER-25	6.000	1:1	28	20bar	55	51					
	BF.016.30-H85	30	ER-25	6.000	1:1	28	20bar	85						
	BF.016.30/HP-H55	30	ER-25	6.000	1:1	28	80bar	55	61					
	BF.016.30/HP-H85	30	ER-25	6.000	1:1	28	80bar	85						

\* The livetools can be equipped with Weldon shaft or shell-mill shaft upon request.



## VDI-30 Models

**Baruffaldi:** VDI30 TOEM (DISC)  
VDI30 TOEM (STAR)  
**Ecoca:** MT-308MCS  
**Edel:** SL35  
**Johnford:** SL 20, 30, 35, 40  
**Spinner:** TC400/ TC46 / TC52  
TC600 MCY/SMCY VDI30  
TC65/ TC67 VDI30  
TC80 VDI30 / TS46 / TS66LMC  
**Traub:** TND 200






## VDI-40 Models

**Accuway:** UT-300/300L  
**Baruffaldi:** VDI40 TOEM  
**CMZ:** TL 20M (VDI40)  
**Ecoca:** MT-308MC  
MT-310MC / MT-312MC  
**Johnford:** SL 50, 60, 65  
**Spinner:** TC600 MC VDI40  
TC67 VDI40  
TC80 VDI40  
TC800 MC VDI40  
**Style:** Style 750  
**Topper:** TB 20Y  
TB 25YMCB / TBMR 200 / TNL 120 ALS

## VDI-50 Models

**Angelini:** Excell SLT630  
**Baruffaldi:** VDI50 TOEM  
**CMZ:** TBI 520  
**Ecoca:** MT-415MC  
**Johnford:** HT 40, 60, 80  
SL 70, 80, 100, 120  
ST 100, 130, 160, 200, 240 A/B  
ST 40, 60, 70, 80  
**Spinner:** TC 800 MC VDI50  
TC108 MC / TC110 MC  
TC77 SMC / TC82 VDI50  
**Taksan:** TTC630 Baruffaldi (DISC)



Code	D mm		 RPM. Max.		 Nm. Max.	 IC	H mm	B mm	F mm	L mm	P mm	T mm	W mm	
VDI-40	BF.010.40-ER25	40	ER-25	6.000	1:1	50	-	80	59	72	53	71	36	75
	BF.010.40-ER32	40	ER-32	6.000	1:1	50	-			75				
	BF.016.40-ER25	40	ER-25	6.000	1:1	50	20bar		62	72				
	BF.016.40-ER32	40	ER-32	6.000	1:1	50	20bar			75				
	BF.016.40/HP-ER25	40	ER-25	6.000	1:1	50	80bar		72	72				
	BF.016.40/HP-ER32	40	ER-32	6.000	1:1	50	80bar			75				
VDI-50	BF.010.50-ER32	50	ER-32	6.000	1:1	80	-	110	64	117	71	83	42	88
	BF.010.50-ER40	50	ER-40	6.000	1:1	80	-			119				
	BF.016.50-ER32	50	ER-32	6.000	1:1	80	20bar			117				
	BF.016.50-ER40	50	ER-40	6.000	1:1	80	20bar			119				

\* The livetools can be equipped with Weldon shaft or shell-mill shaft upon request.

## VDI-30 Models

**Baruffaldi:** VDI30 TOEM (DISC)

VDI30 TOEM (STAR)

**Ecoca:** MT-308MCS

**Edel:** SL35

**Johnford:** SL 20, 30, 35, 40

**Spinner:** TC400

TC46 / TC52

TC600 MCY/SMCY VDI30

TC65

TC67 VDI30 / TC80 VDI30

TS46 / TS66LMC

**Traub:** TND 200

## VDI-40 Models

**Accuway:** UT-300/300L

**Baruffaldi:** VDI40 TOEM

**CMZ:** TL 20M (VDI40)

**Ecoca:** MT-308MC

MT-310MC / MT-312MC

**Johnford:** SL 50, 60, 65

**Spinner:** TC600 MC VDI40

TC67 VDI40 / TC80 VDI40

TC800 MC VDI40

**Style:** Style 750

**Topper:** TB 20Y

TB 25YMB / TBMR 200 / TNL 120 ALS

## VDI-50 Models

**Angelini:** Excell SLT630

**Baruffaldi:** VDI50 TOEM

**CMZ:** TBI 520

**Ecoca:** MT-415MC

**Johnford:** HT 40, 60, 80

SL 70, 80, 100, 120

ST 100, 130, 160, 200, 240 A/B

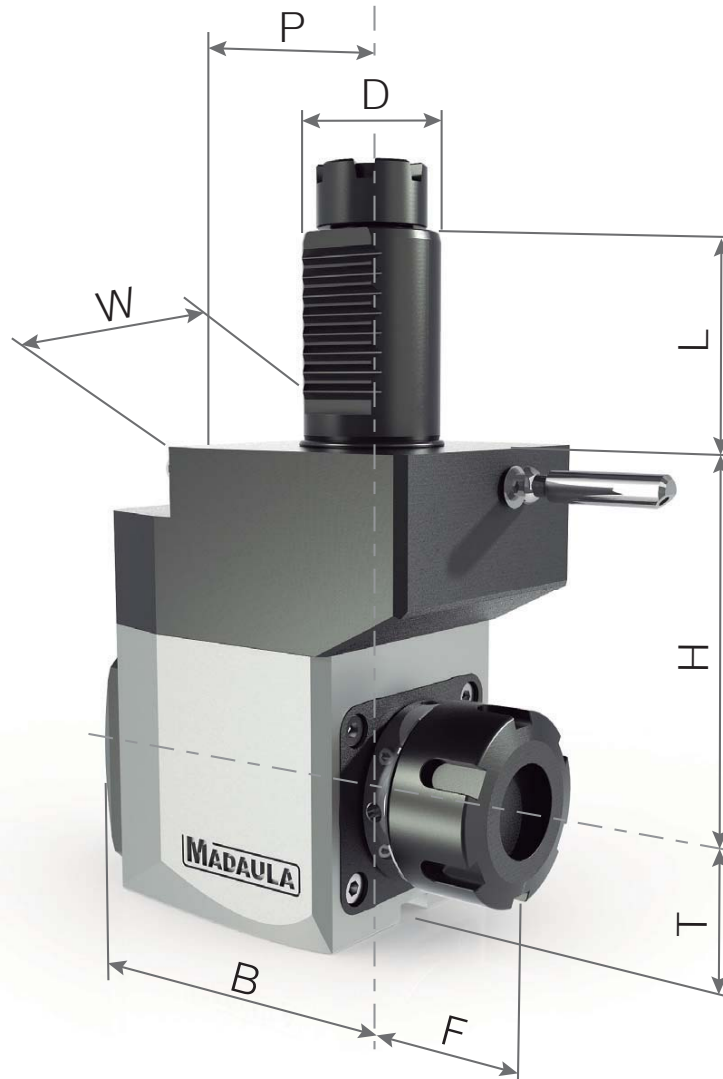
ST 40, 60, 70, 80

**Spinner:** TC 800 MC VDI50

TC108 MC / TC110 MC

TC77 SMC / TC82 VDI50

**Taksan:** TTC630 Baruffaldi (DISC)



Code	D mm		 RPM. Max.	 1:1	 Nm. Max.		H mm	B mm	F mm	L mm	P mm	T mm	W mm	
VDI-30	BF.011.30	30	ER-25	6.000	1:1	28	-	75	71	42	45	48	29	64
	BF.017.30	30	ER-25	6.000	1:1	28	20bar		74					
	BF.017.30/HP	30	ER-25	6.000	1:1	28	80bar		84					
VDI-40	BF.011.40-ER25	40	ER-25	6.000	1:1	50	-	120	92	53	71	36	75	42
	BF.011.40-ER32	40	ER-32	6.000	1:1	50	-		95					
	BF.017.40-ER25	40	ER-25	6.000	1:1	50	20bar		39					
	BF.017.40-ER32	40	ER-32	6.000	1:1	50	20bar		42					
	BF.017.40/HP-ER25	40	ER-25	6.000	1:1	50	80bar		39					
	BF.017.40/HP-ER32	40	ER-32	6.000	1:1	50	80bar		42					

\* The livetools can be equipped with Weldon shaft or shell-mill shaft upon request.

## VDI-30 Models

**Baruffaldi:** VDI30 TOEM (DISC)

VDI30 TOEM (STAR)

**Ecoca:** MT-308MCS

**Edel:** SL35

**Johnford:** SL 20, 30, 35, 40

**Spinner:** TC400

TC46 / TC52

TC600 MCY/SMCY VDI30

TC65

TC67 VDI30 / TC80 VDI30

TS46 / TS66LMC

**Traub:** TND 200

## VDI-40 Models

**Accuway:** UT-300/300L

**Baruffaldi:** VDI40 TOEM

**CMZ:** TL 20M (VDI40)

**Ecoca:** MT-308MC

MT-310MC / MT-312MC

**Johnford:** SL 50, 60, 65

**Spinner:** TC600 MC VDI40

TC67 VDI40 / TC80 VDI40

TC800 MC VDI40

**Style:** Style 750

**Topper:** TB 20Y

TB 25YMCB / TBMR 200 / TNL 120 ALS

## VDI-50 Models

**Angelini:** Excell SLT630

**Baruffaldi:** VDI50 TOEM

**CMZ:** TBI 520

**Ecoca:** MT-415MC

**Johnford:** HT 40, 60, 80

SL 70, 80, 100, 120

ST 100, 130, 160, 200, 240 A/B

ST 40, 60, 70, 80

**Spinner:** TC 800 MC VDI50

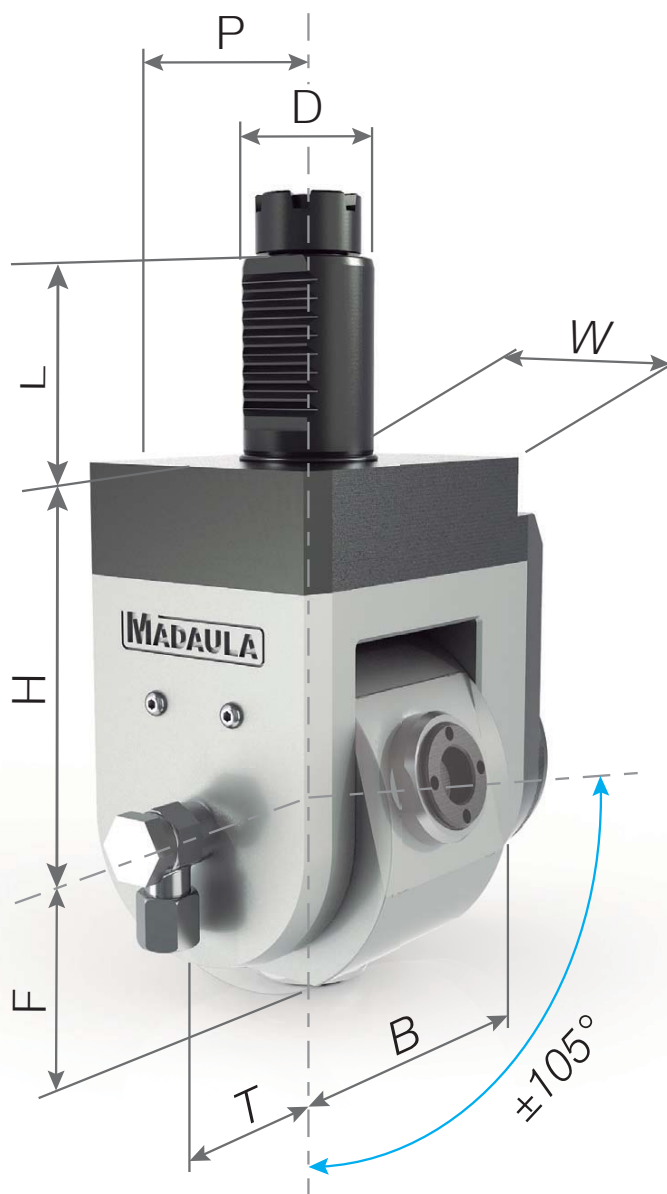
TC108 MC

TC110 MC

TC77 SMC

TC82 VDI50

**Taksan:** TTC630 Baruffaldi (DISC)



Code	D mm		 RPM. Max.		 Nm. Max.		H mm	B mm	F mm	L mm	P mm	T mm	W mm	
<b>VDI-30</b>	BF.021.30-ER16	30	ER-16	6.000	1:1	16	-	86	59	45	45	48	40	64
	BF.021.30-ER25	30	ER-25	6.000	1:1	16	-							
	BF.022.30-ER16	30	ER-16	6.000	1:1	16	20bar			65				
	BF.022.30-ER25	30	ER-25	6.000	1:1	16	20bar							
<b>VDI-40</b>	BF.021.40	40	ER-25	6.000	1:1	16	-	86	59	65	53	71	40	78
	BF.022.40	40	ER-25	6.000	1:1	16	20bar							
<b>VDI-50</b>	BF.021.50	50	ER-25	6.000	1:1	16	-	86	59	65	71	83	44	94
	BF.022.50	50	ER-25	6.000	1:1	16	20bar							

\* The livetools can be equipped with Weldon shaft or shell-mill shaft upon request.

## VDI-30 Models

**Baruffaldi:** VDI30 TOEM (DISC)

VDI30 TOEM (STAR)

**Ecoca:** MT-308MCS

**Edel:** SL35

**Johnford:** SL 20, 30, 35, 40

**Spinner:** TC400

TC46

TC52

TC600 MCY/SMCY VDI30

TC65

TC67 VDI30

TC80 VDI30

TS46

TS66LMC

**Traub:** TND 200

## VDI-40 Models

**Accuway:** UT-300/300L

**Baruffaldi:** VDI40 TOEM

**CMZ:** TL 20M (VDI40)

**Ecoca:** MT-308MC

MT-310MC

MT-312MC

**Johnford:** SL 50, 60, 65

**Spinner:** TC600 MC VDI40

TC67 VDI40

TC80 VDI40

TC800 MC VDI40

**Style:** Style 750

**Topper:** TB 20Y

TB 25YMB

TBMR 200

TNL 120 ALS

## VDI-50 Models

**Angelini:** Excell SLT630

**Baruffaldi:** VDI50 TOEM

**CMZ:** TBI 520

**Ecoca:** MT-415MC

**Johnford:** HT 40, 60, 80

SL 70, 80, 100, 120

ST 100, 130, 160, 200, 240 A/B

ST 40, 60, 70, 80

**Spinner:** TC 800 MC VDI50

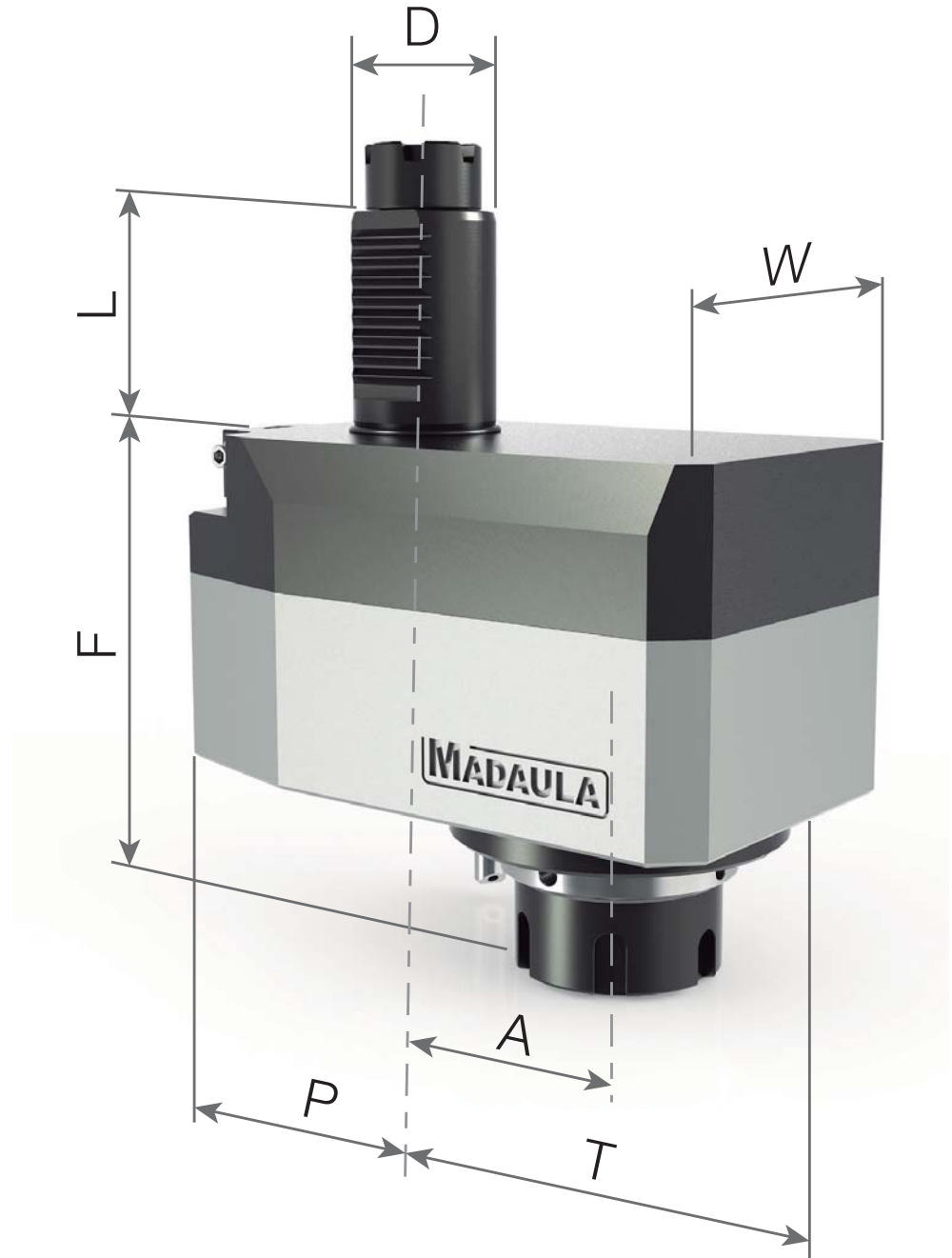
TC108 MC






TC110 MC

TC77 SMC

TC82 VDI50

**Taksan:** TTC630 Baruffaldi (DISC)



Code		D mm		 RPM. Max.	 1:2	 Nm. Max.	 IC	A mm	F mm	L mm	P mm	T mm	W mm
VDI-30	BF.026.30	30	ER-25	12.000	1:2	14	-	50	108	45	48	90	78
	BF.027.30	30	ER-25	3.000	2:1	40	-						

\* The livetools can be equipped with Weldon shaft or shell-mill shaft upon request.



### VDI-30 Models

**Accuway:** UT-200 (DISC)  
**Angelini:** Felix CNC (DISC)  
 Snupy Diplomaticrevolver (DISC)  
**Biglia:** B111 VDI30 (DISC)  
 B42 VDI30 1809 (DISC)  
**Cazeneuve:** CTN210 (DISC)  
**Chevalier:** FCL-820MC (DISC)  
**Chiah Chyun:** C-4212TM (DISC)  
**Ching Hung:** CL200 (DISC)  
**Cincinnati:** HTC150 (DISC)  
**CNC Takang:** TNC-20N (DISC)  
**Daewoo:** PUMA 200 M (DISC)  
**Diplomatic:** VDI30 1809 (DISC)  
**EMCO:** 345 old (DISC)  
 360 (DISC)  
 E300 (DISC)  
 EMCOTURN 345/II DIN1809 (DISC)  
**Fadal:** PTC150 (DISC)  
**Fair Friend:** FTC-10 (DISC)  
 FTC-25MC (DISC)  
**Focus CNC:** FCL 200MC (DISC)  
**HURCO:** TMM8i (STAR)  
**Hwacheon:** Cutex 160 (STAR)  
**Jinn Fa:** JCL 60M (DISC)  
**Jyoti:** ATM 160 (VDI30) (DISC)  
 AX 200 VDI30 (DISC)  
**Leadwell:** LTC 20M / 20iM (DISC)  
 T6 M (DISC)  
**Magdeburger:** M110 (DISC)  
**Romi:** GL240M (DISC)  
 GL250M (DISC)  
**Saeilo:** Contur LT-15 MC (DISC)  
**Schaublin** 140CNC (DISC)  
 180CCN (DISC)  
 TMY=TR16-100-D/12  
**YCM:** GT200 MA (DISC)  
 TC16 MA/MB (DISC)  
**YEONG CHIN:** TCR26/26L (DISC)

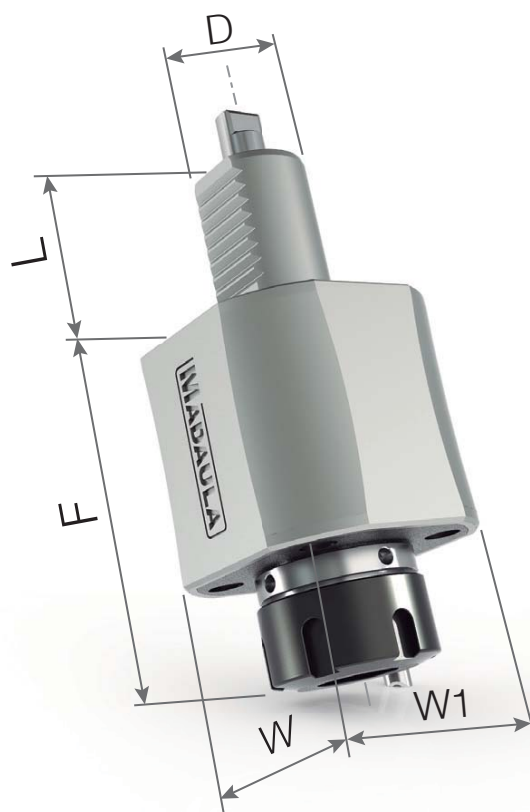
### VDI-50 Models






**Cacta:** CAT500 (DISC)  
**Daewoo:** PUMA 350 M (DISC)  
 PUMA 400 M (DISC)  
**Diplomatic:** VDI50 1809 (DISC)  
**EMCO:** ET700 (DISC)  
 ET800 (DISC)  
 Maxx turn 110 (DISC)  
**HURCO:** TMM12i (STAR)  
**Kovosvit MAS:** KL 435 (DISC)  
 SP 430 (DISC)  
 SP 630 (DISC)  
**SOMAB:** Transmab 850 (DISC)  
**Tajmac-ZPS:** TCH 500 (DISC)  
 Transmab 600 (DISC)

### VDI-40 Models

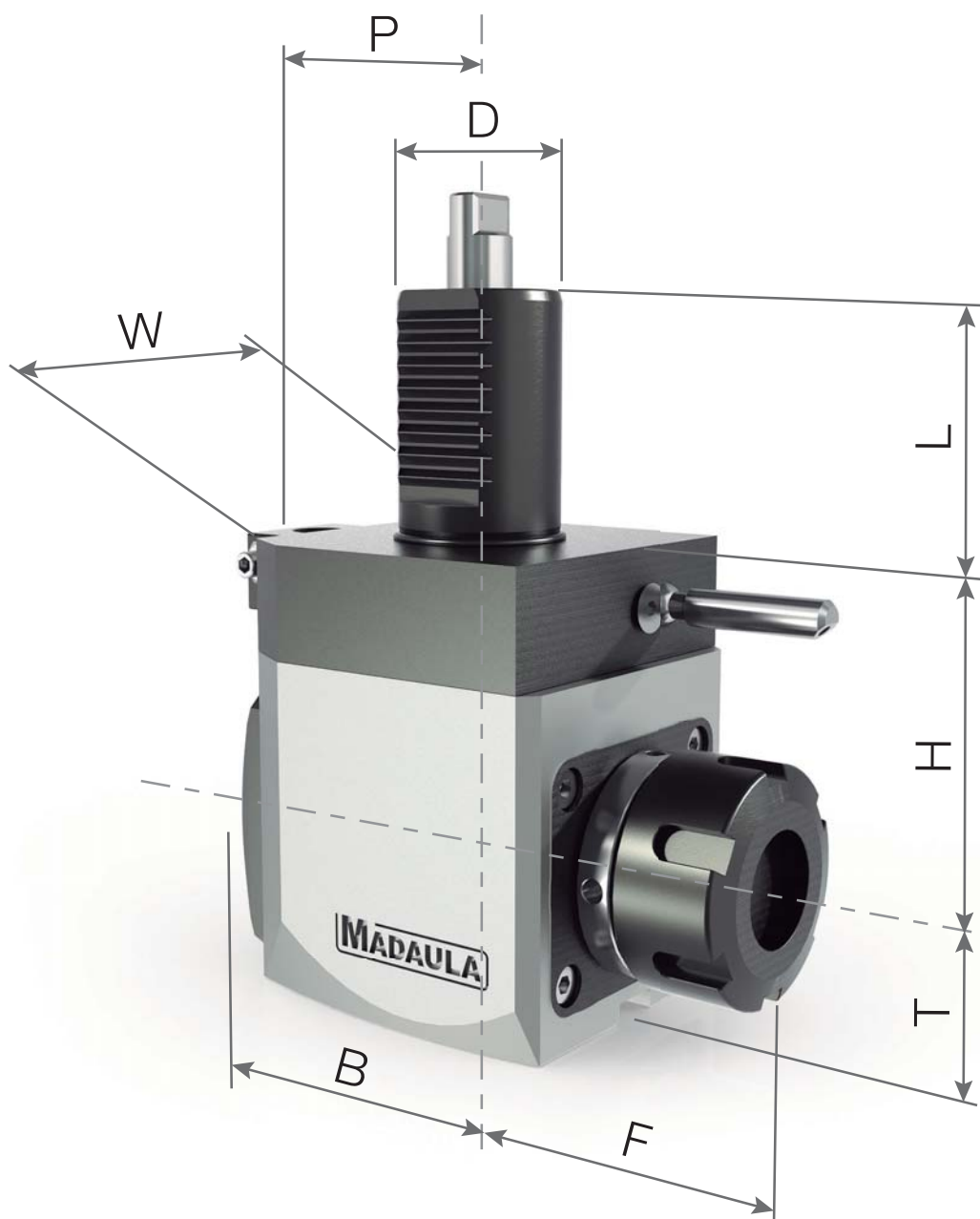
**Alex-Tech:** VT28-28BL (DISC)  
**BATLIBOI:** Sprint 25TC (DISC)  
**Biglia:** B111 VDI40 (DISC)  
 B200 VDI40 (DISC)  
 B56 VDI40 (DISC)  
**Chevalier:** FCL-1028MC (DISC)  
**CHING HUNG:** CL260 (DISC)  
 CL38 (DISC)  
**Cincinnati:** HTC200 (DISC)  
 HTC250 (DISC)  
**CNC Takang:** TNC-2000DST (DISC)  
 TNC-30N (DISC)  
**Daewoo:** PUMA 200 MS (DISC)  
 PUMA 250 MS (DISC)  
**Diplomatic:** VDI40 1809 (DISC)  
**EMCO:** ET500 (DISC)  
**Fadal:** PTC250 (DISC)  
**Fair Friend:** FTC-20 (DISC)  
 FTC-30 (DISC)  
**Focus CNC:** FCL 300MC (DISC)  
**Hardinge:** Talent 10/78 (DISC)  
**Hitachi Seiki:** CS20/CS25 (DISC)  
 Hicell 23S (DISC)  
 HT 200/250 (DISC)  
 HT 20S (DISC)  
 HT 23R (DISC)  
 HT 25G (DISC)  
**HURCO:** TMM10 (STAR)  
 TMM10i (STAR)  
 TMX10 MY/MYS 1809 (STAR)  
 TMX8 MY/MYS 1809 (STAR)  
**Hyundai WIA:** Hit 20M/200M/250M (DISC)  
**Kovosvit MAS:** S50 VDI40 (DISC)  
**Leadwell:** LTC 25 BLM (DISC)  
 T8 M (DISC)  
**Magdeburger:** M120 (DISC)  
**Romi:** G30M 1809 (DISC)  
 GL250M (DISC)  
 GL280M (DISC)  
 GL300M (DISC)  
**Saeilo:** Contur LT-20 MC (DISC)  
**SOMAB:** Transmab 500 (DISC)  
**Taksan:** TTC630 Diplomatic (DISC)  
**TOPPER:** TB 25YMBD DIN1809 (STAR)  
**YCM:** GT250 MA/LMA/MB/LMB (DISC)  
 GT300 MA/LMA/MB/LMB (DISC)





\* The livetools can be equipped with Weldon shaft or shell-mill shaft upon request.



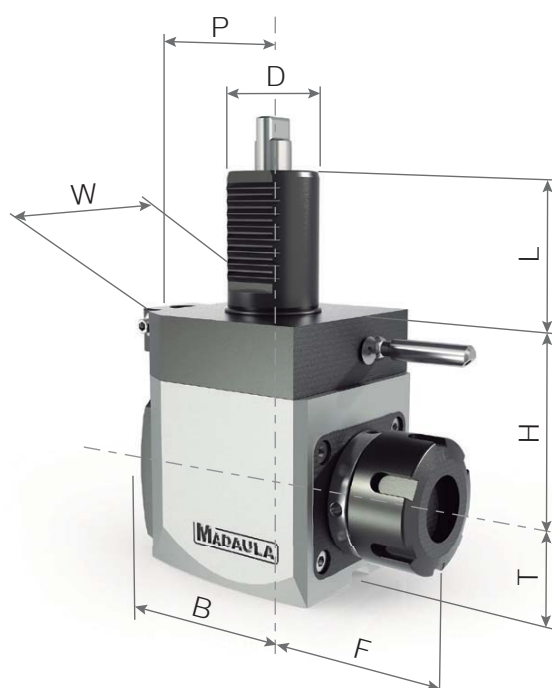
Code	D mm		 RPM. Max.	 1:1	 Nm. Max.		F mm	L mm	W mm	W1 mm
<b>VDI-30</b>	DU.000.30	ER-25	6.000	1:1	28	-	90	45	64	68
	DU.005.30	ER-25	6.000	1:1	28	20bar				
	DU.005.30/HP	ER-25A	6.000	1:1	28	80bar			67	67
<b>VDI-40</b>	DU.000.40-ER25	ER-25	6.000	1:1	50	-	106	53	80	86
	DU.000.40-ER32-S	ER-32	6.000	1:1	50	-	97			
	DU.000.40-ER32	ER-32	6.000	1:1	50	-	109			
	DU.005.40-ER25	ER-25	6.000	1:1	50	20bar	106			
	DU.005.40-ER32-S	ER-32	6.000	1:1	50	20bar	97			
	DU.005.40-ER32	ER-32	6.000	1:1	50	20bar	109			
	DU.005.40/HP-ER25	ER-25	6.000	1:1	50	80bar	93.5		79	79
DU.005.40/HP-ER32	ER-32	6.000	1:1	50	80bar	93.5				
<b>VDI-50</b>	DU.000.50-ER32	ER-32	6.000	1:1	80	-	114	71	88	88
	DU.000.50-ER40	ER-40	6.000	1:1	80	-	116			
	DU.000.50-ER32	ER-32	6.000	1:1	80	20bar	114			
	DU.005.50-ER40	ER-40	6.000	1:1	80	20bar	116			

\* The livetools can be equipped with Weldon shaft or shell-mill shaft upon request.



Code	D mm		 RPM. Max.	 Nm. Max.		H mm	B mm	F mm	L mm	P mm	T mm	W mm	
DU.010.30-H55	30	ER-25	6.000	1:1	28	-	55	48	65	45	48	29	64
DU.010.30-H85	30	ER-25	6.000	1:1	28	-	85						
DU.016.30-H55	30	ER-25	6.000	1:1	28	20bar	55	51					
DU.016.30-H85	30	ER-25	6.000	1:1	28	20bar	85						
DU.016.30/HP-H55	30	ER-25	6.000	1:1	28	80bar	55	61					
DU.016.30/HP-H85	30	ER-25	6.000	1:1	28	80bar	85						

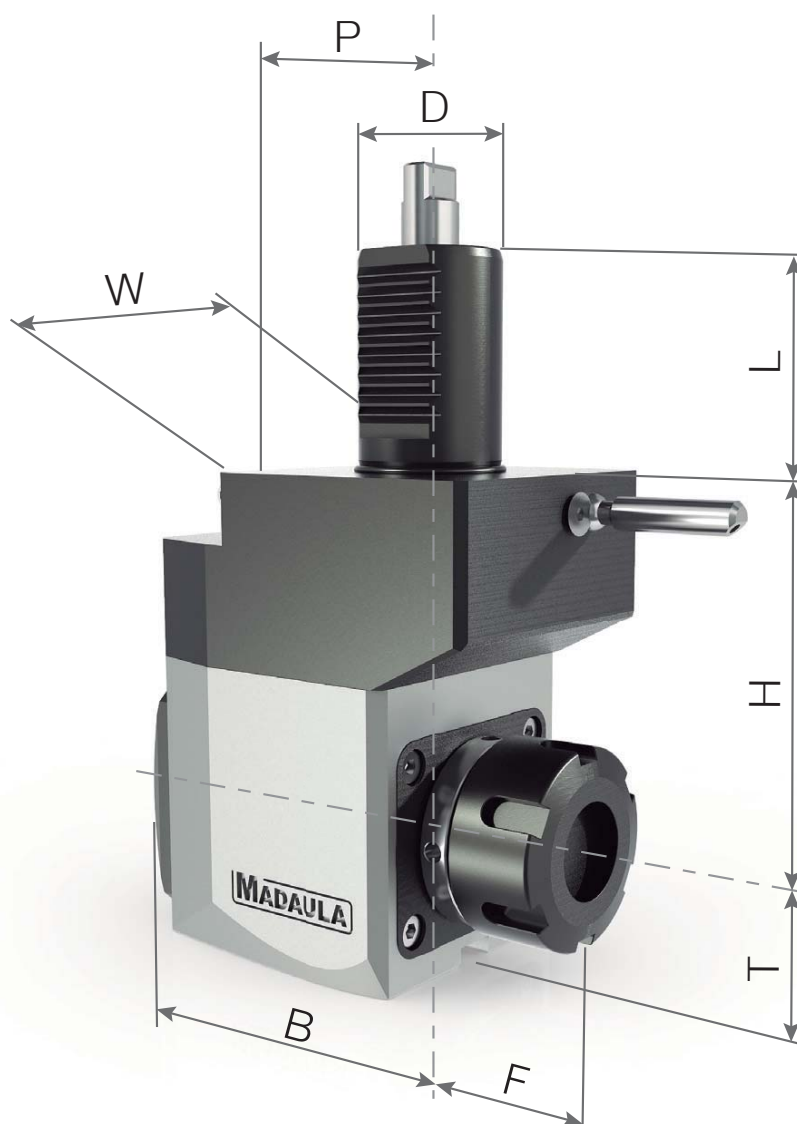
\* The livetools can be equipped with Weldon shaft or shell-mill shaft upon request.








Code	D mm		 RPM. Max.	 1:1	 Nm. Max.		H mm	B mm	F mm	L mm	P mm	T mm	W mm
DU.010.40-ER25-H80	40	ER-25	6.000	1:1	50	-	80	59	72	53	71	36	75
DU.010.40-ER32-H80	40	ER-32	6.000	1:1	50	-			75				
DU.010.40-ER25-H100	40	ER-25	6.000	1:1	50	-	100		72				
DU.010.40-ER32-H100	40	ER-32	6.000	1:1	50	-			75				
DU.016.40-ER25-H80	40	ER-25	6.000	1:1	50	20bar	80	62	72				
DU.016.40-ER32-H80	40	ER-32	6.000	1:1	50	20bar			75				
DU.016.40-ER25-H100	40	ER-25	6.000	1:1	50	20bar	100		72				
DU.016.40-ER32-H100	40	ER-32	6.000	1:1	50	20bar			75				
DU.016.40/HP-ER25-H80	40	ER-25	6.000	1:1	50	80bar	80	72	72				
DU.016.40/HP-ER32-H80	40	ER-32	6.000	1:1	50	80bar			75				
DU.016.40/HP-ER25-H100	40	ER-25	6.000	1:1	50	80bar	100		72				
DU.016.40/HP-ER32-H100	40	ER-32	6.000	1:1	50	80bar			75				
DU.010.50-ER32	50	ER-32	6.000	1:1	80	-	110	64	117	71	83	42	88
DU.010.50-ER40	50	ER-40	6.000	1:1	80	-			119				
DU.016.50-ER32	50	ER-32	6.000	1:1	80	20bar			117				
DU.016.50-ER40	50	ER-40	6.000	1:1	80	20bar		119					
DU.016.50/HP-ER32	50	ER-32	6.000	1:1	80	80bar		75	117				
DU.016.50/HP-ER40	50	ER-40	6.000	1:1	80	80bar			119				

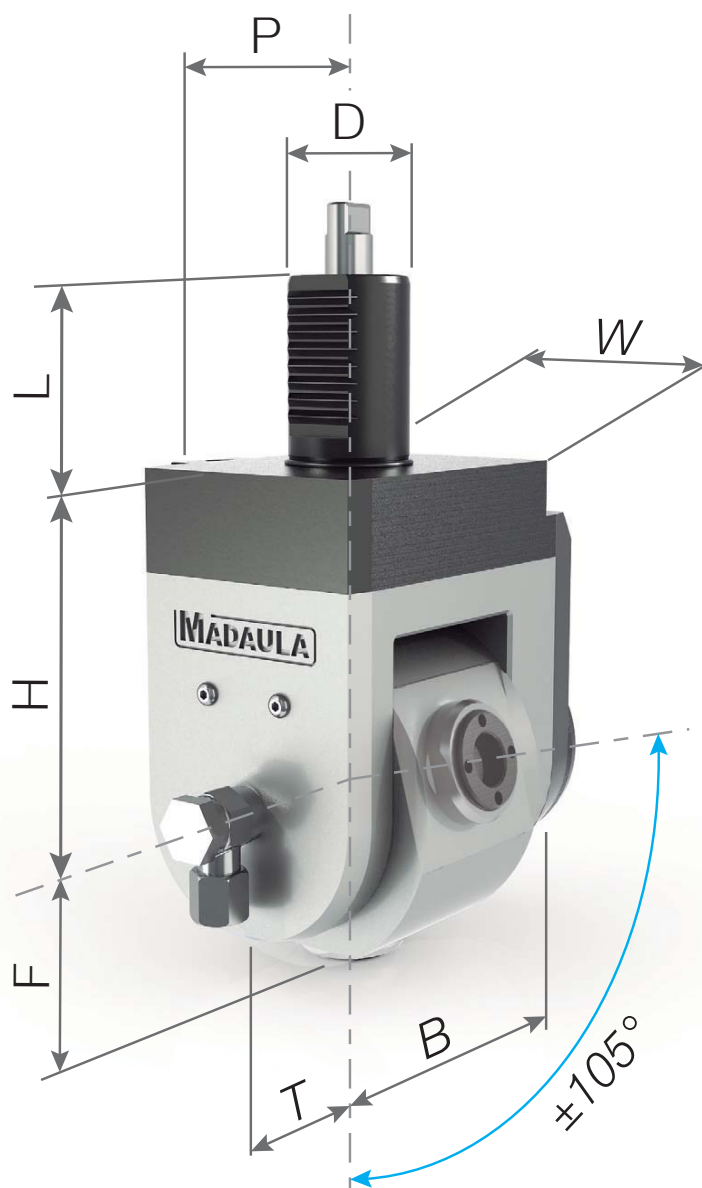
\* The livetools can be equipped with Weldon shaft or shell-mill shaft upon request.










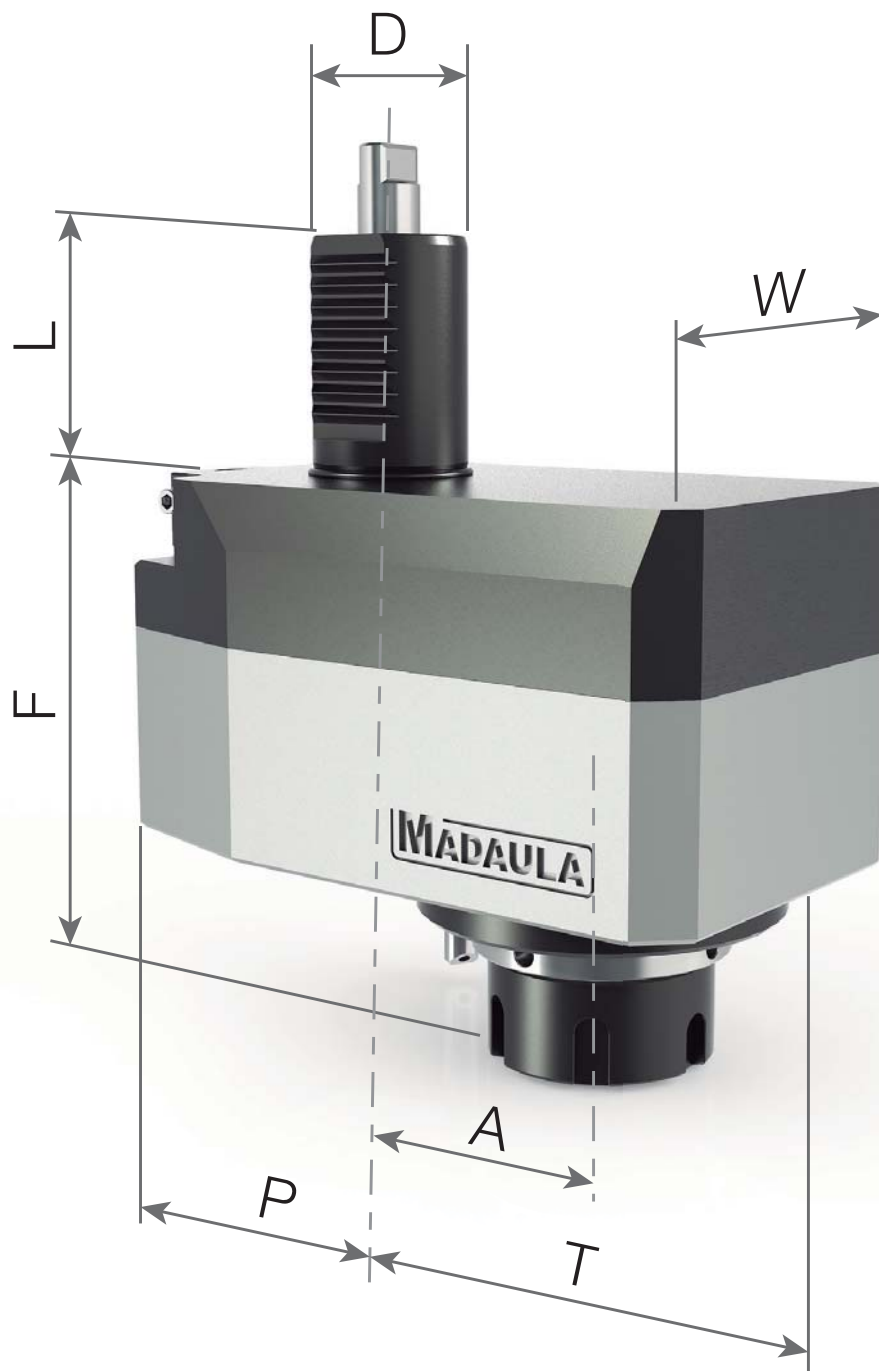
Code	D mm		 RPM. Max.	 1:1	 Nm. Max.		H mm	B mm	F mm	L mm	P mm	T mm	W mm	
VDI-30	DU.011.30	30	ER-25	6.000	1:1	28	-	75	71	42	45	48	29	64
	DU.017.30	30	ER-25	6.000	1:1	28	20bar		74					
	DU.017.30/HP	30	ER-25	6.000	1:1	28	80bar		84					
VDI-40	DU.011.40-ER25	40	ER-25	6.000	1:1	50	-	120	92	53	71	36	75	
	DU.011.40-ER32	40	ER-32	6.000	1:1	50	-		42					
	DU.017.40-ER25	40	ER-25	6.000	1:1	50	20bar		39					
	DU.017.40-ER32	40	ER-32	6.000	1:1	50	20bar		42					
	DU.017.40/HP-ER25	40	ER-25	6.000	1:1	50	80bar		39					
	DU.017.40/HP-ER32	40	ER-32	6.000	1:1	50	80bar		42					






\* The livetools can be equipped with Weldon shaft or shell-mill shaft upon request.



Code	D mm		 RPM. Max.	 1:1	 Nm. Max.		H mm	B mm	F mm	L mm	P mm	T mm	W mm	
<b>VDI-30</b>	DU.021.30-ER16	30	ER-16A	6.000	1:1	16	-	86	59	45	45	48	40	64
	DU.021.30-ER25	30	ER-25	6.000	1:1	16	-							
	DU.022.30-ER16	30	ER-16A	6.000	1:1	16	20bar							
	DU.022.30-ER25	30	ER-25	6.000	1:1	16	20bar							
<b>VDI-40</b>	DU.021.40	40	ER-25	6.000	1:1	16	-	86	59	65	53	71	40	78
	DU.022.40	40	ER-25	6.000	1:1	16	20bar							
<b>VDI-50</b>	DU.021.50	50	ER-25	6.000	1:1	16	-	86	59	65	72	76	44	94
	DU.022.50	50	ER-25	6.000	1:1	16	20bar							

\* The livetools can be equipped with Weldon shaft or shell-mill shaft upon request.



Code	D mm		 RPM. Max.		 Nm. Max.		A mm	F mm	L mm	P mm	T mm	W mm	
VDI-30	DU.026.30	30	ER-25	12.000	1:2	14	-	50	108	45	48	90	78
	DU.027.30	30	ER-25	3.000	2:1	40	-						






\* The livetools can be equipped with Weldon shaft or shell-mill shaft upon request.

## VDI-40 Models

- DF-20/30 Y Hybrid VB12
- DS-20/30 SS/SSY-Hybrid VB24
- SL-20 Hybrid VB12
- SL-30 Hybrid VB12
- SL-40
- ST-20/30 SS/SSY-Hybrid VB24
- ST-20/30 Y Hybrid VB12
- ST-40
- TL-15
- TL-25



Haas

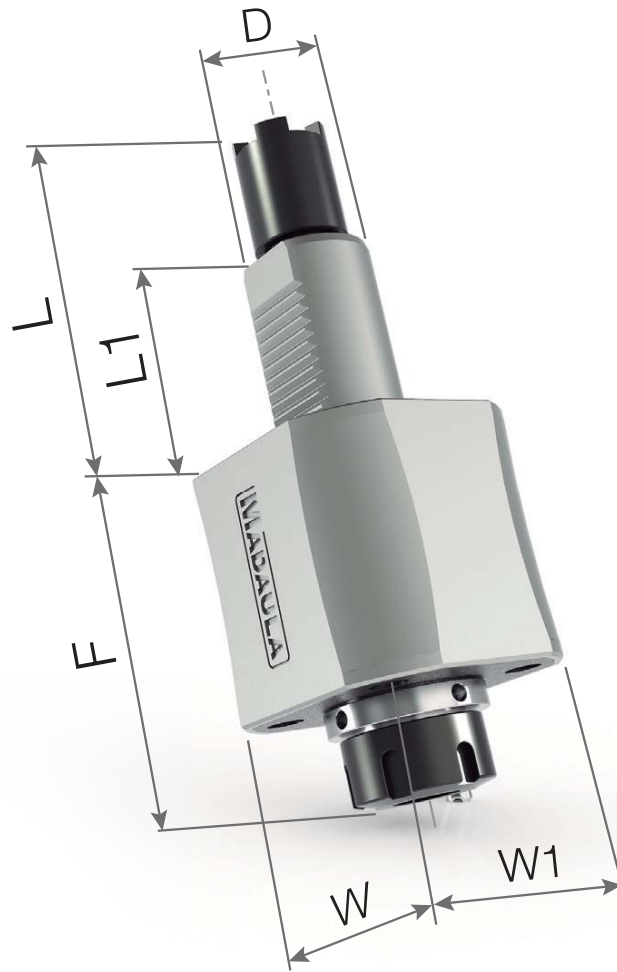
Code	D mm		 RPM. Max.	 1:1	 Nm. Max.		F mm	L mm	L1 mm	W mm	W1 mm
HS.000.40-ER25-L104	40	ER-25	6.000	1:1	50	-	106	63	104.85	80	86
HS.000.40-ER25-L117	40	ER-25	6.000	1:1	50	-			117.55		
HS.000.40-ER25-L130	40	ER-25	6.000	1:1	50	-			130.25		
HS.000.40-ER32-L104	40	ER-32	6.000	1:1	50	-	109	63	104.85	80	86
HS.000.40-ER32-L117	40	ER-32	6.000	1:1	50	-			117.55		
HS.000.40-ER32-L130	40	ER-32	6.000	1:1	50	-			130.25		




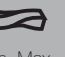
\* The livetools can be equipped with Weldon shaft or shell-mill shaft upon request.



## VDI-40 Models

- DF-20/30 Y Hybrid VB12
- DS-20/30 SS/SSY-Hybrid VB24
- SL-20 Hybrid VB12
- SL-30 Hybrid VB12
- SL-40
- ST-20/30 SS/SSY-Hybrid VB24
- ST-20/30 Y Hybrid VB12
- ST-40
- TL-15
- TL-25

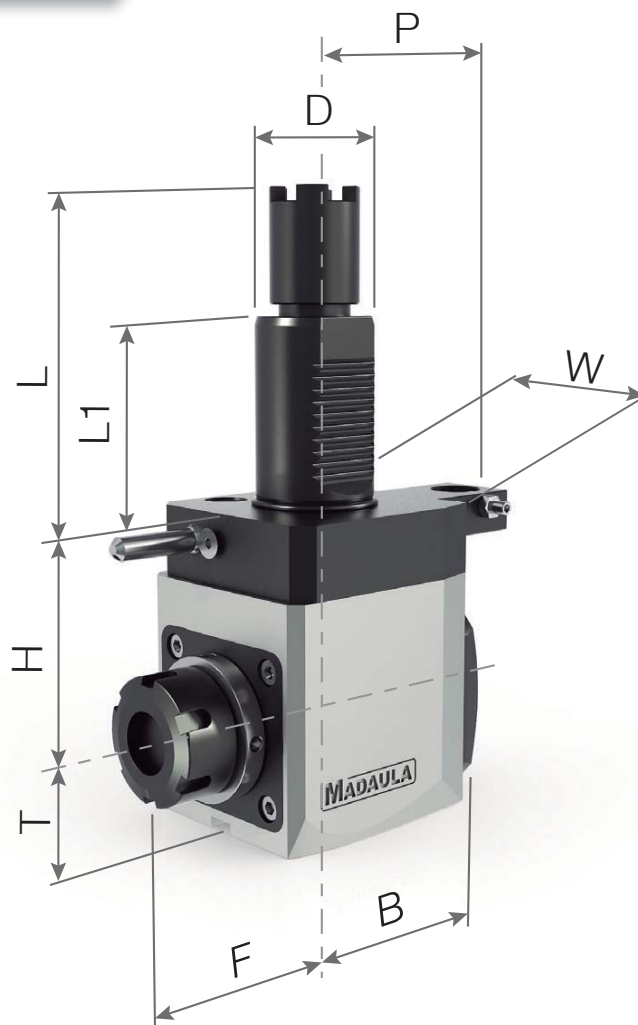






Code	D mm		 RPM. Max.	 Nm. Max.		F mm	L mm	L1 mm	W mm	W1 mm
HS.005.40-ER25-L104	40	ER-25	6.000	1:1	50	20bar	106	104.85	80	86
HS.005.40-ER25-L117	40	ER-25	6.000	1:1	50	20bar		117.55		
HS.005.40-ER25-L130	40	ER-25	6.000	1:1	50	20bar		130.25		
HS.005.40-ER32-L104	40	ER-32	6.000	1:1	50	20bar	109	104.85	80	86
HS.005.40-ER32-L117	40	ER-32	6.000	1:1	50	20bar		117.55		
HS.005.40-ER32-L130	40	ER-32	6.000	1:1	50	20bar		130.25		
HS.005.40/HP-ER25-L104	40	ER-25A	6.000	1:1	50	80bar	93.5	104.85	79	79
HS.005.40/HP-ER25-L117	40	ER-25A	6.000	1:1	50	80bar		117.55		
HS.005.40/HP-ER25-L130	40	ER-32A	6.000	1:1	50	80bar		130.25		
HS.005.40/HP-ER32-L104	40	ER-32A	6.000	1:1	50	80bar	93.5	104.85	79	79
HS.005.40/HP-ER32-L117	40	ER-32A	6.000	1:1	50	80bar		117.55		
HS.005.40/HP-ER32-L130	40	ER-32A	6.000	1:1	50	80bar		130.25		

\* The livetools can be equipped with Weldon shaft or shell-mill shaft upon request.

## VDI-40 Models

DF-20/30 Y Hybrid VB12  
 DS-20/30 SS/SSY-Hybrid  
 VB24  
 DS-20/30 Y-Hybrid VB12  
 SL-20 Hybrid VB12  
 SL-30 Hybrid VB12  
 SL-40  
 ST-20/30 SS/SSY-Hybrid VB24  
 ST-20/30 Y Hybrid VB12  
 ST-40  
 TL-15  
 TL-25



Code	D mm		 RPM. Max.	 Nm. Max.		H mm	B mm	F mm	L mm	L1 mm	P mm	T mm	W mm
HS.010.40-ER25-L104-H80	40	ER-25	6.000	1:1	50	-	80	72	63	104.85	82	36	75
HS.010.40-ER25-L117-H80	40	ER-25	6.000	1:1	50	-				117.55			
HS.010.40-ER25-L130-H80	40	ER-25	6.000	1:1	50	-				130.25			
HS.010.40-ER32-L104-H80	40	ER-32	6.000	1:1	50	-		75		104.85			
HS.010.40-ER32-L117-H80	40	ER-32	6.000	1:1	50	-				117.55			
HS.010.40-ER32-L130-H80	40	ER-32	6.000	1:1	50	-				130.25			
HS.010.40-ER25-L104-H69	40	ER-25	6.000	1:1	50	-	69	72	63	104.85	82	36	75
HS.010.40-ER25-L117-H69	40	ER-25	6.000	1:1	50	-				117.55			
HS.010.40-ER25-L130-H69	40	ER-25	6.000	1:1	50	-				130.25			
HS.010.40-ER32-L104-H69	40	ER-32	6.000	1:1	50	-		75		104.85			
HS.010.40-ER32-L117-H69	40	ER-32	6.000	1:1	50	-				117.55			
HS.010.40-ER32-L130-H69	40	ER-32	6.000	1:1	50	-				130.25			

\* The livetools can be equipped with Weldon shaft or shell-mill shaft upon request.

## VDI-40 Models

DF-20/30 Y Hybrid VB12  
DS-20/30 SS/SSY-Hybrid  
VB24  
DS-20/30 Y-Hybrid VB12  
SL-20 Hybrid VB12  
SL-30 Hybrid VB12  
SL-40  
ST-20/30 SS/SSY-Hybrid VB24  
ST-20/30 Y Hybrid VB12  
ST-40  
TL-15 / TL-25

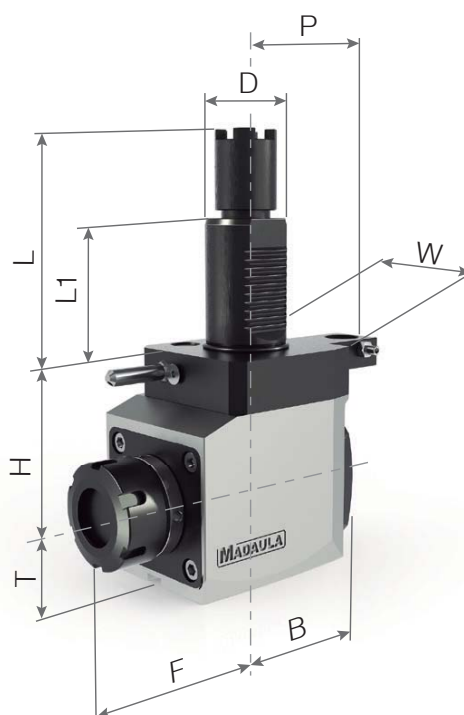


Code	D mm		 RPM. Max.	 Nm. Max.		H mm	B mm	F mm	L mm	L1 mm	P mm	T mm	W mm
HS.016.40-ER25-L104-H80	40	ER-25	6.000	1:1	50	20bar	80	72	63	104.85	82	36	75
HS.016.40-ER25-L117-H80	40	ER-25	6.000	1:1	50	20bar				117.55			
HS.016.40-ER25-L130-H80	40	ER-25	6.000	1:1	50	20bar				130.25			
HS.016.40-ER32-L104-H80	40	ER-32	6.000	1:1	50	20bar		104.85					
HS.016.40-ER32-L117-H80	40	ER-32	6.000	1:1	50	20bar		117.55					
HS.016.40-ER32-L130-H80	40	ER-32	6.000	1:1	50	20bar		130.25					
HS.016.40-ER25-L104-H69	40	ER-25	6.000	1:1	50	20bar	69	72	63	104.85	82	36	75
HS.016.40-ER25-L117-H69	40	ER-25	6.000	1:1	50	20bar				117.55			
HS.016.40-ER25-L130-H69	40	ER-25	6.000	1:1	50	20bar				130.25			
HS.016.40-ER32-L104-H69	40	ER-32	6.000	1:1	50	20bar		104.85					
HS.016.40-ER32-L117-H69	40	ER-32	6.000	1:1	50	20bar		117.55					
HS.016.40-ER32-L130-H69	40	ER-32	6.000	1:1	50	20bar		130.25					
HS.016.40/HP-ER25-L104-H80	40	ER-25	6.000	1:1	50	80bar	80	72	63	104.85	82	36	75
HS.016.40/HP-ER25-L117-H80	40	ER-25	6.000	1:1	50	80bar				117.55			
HS.016.40/HP-ER25-L130-H80	40	ER-25	6.000	1:1	50	80bar				130.25			
HS.016.40/HP-ER32-L104-H80	40	ER-32	6.000	1:1	50	80bar		104.85					
HS.016.40/HP-ER32-L117-H80	40	ER-32	6.000	1:1	50	80bar		117.55					
HS.016.40/HP-ER32-L130-H80	40	ER-32	6.000	1:1	50	80bar		130.25					
HS.016.40/HP-ER25-L104-H69	40	ER-25	6.000	1:1	50	80bar	69	72	63	104.85	82	36	75
HS.016.40/HP-ER25-L117-H69	40	ER-25	6.000	1:1	50	80bar				117.55			
HS.016.40/HP-ER25-L130-H69	40	ER-25	6.000	1:1	50	80bar				130.25			
HS.016.40/HP-ER32-L104-H69	40	ER-32	6.000	1:1	50	80bar		104.85					
HS.016.40/HP-ER32-L117-H69	40	ER-32	6.000	1:1	50	80bar		117.55					
HS.016.40/HP-ER32-L130-H69	40	ER-32	6.000	1:1	50	80bar		130.25					

\* The livetools can be equipped with Weldon shaft or shell-mill shaft upon request.

## VDI-40 Models

- DF-20/30 Y Hybrid VB12
- DS-20/30 SS/SSY-Hybrid VB24
- DS-20/30 Y-Hybrid VB12
- SL-20 Hybrid VB12
- SL-30 Hybrid VB12
- SL-40
- ST-20/30 SS/SSY-Hybrid VB24
- ST-20/30 Y Hybrid VB12
- ST-40
- TL-15
- TL-25

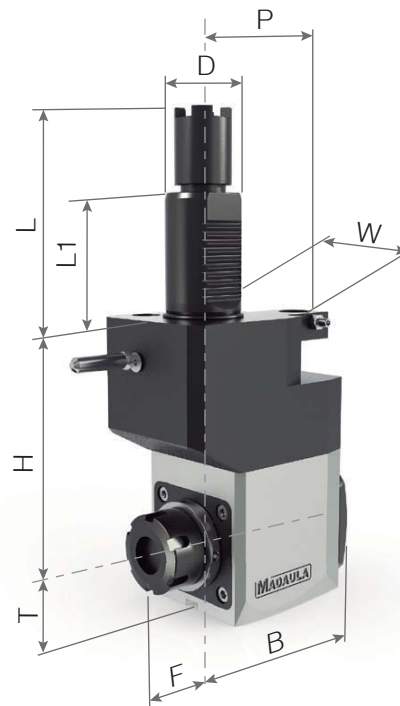


Code	D mm	ER-32	RPM. Max.	1:1	Nm. Max.	IC	H mm	B mm	F mm	L mm	L1 mm	P mm	T mm	W mm
HS.010.40-L104-H80-S	40	ER-32	6.000	1:1	50	-	80	56			104.85			
HS.010.40-L117-H80-S	40	ER-32	6.000	1:1	50	-					117.55			
HS.010.40-L130-H80-S	40	ER-32	6.000	1:1	50	-					130.25			
HS.010.40-L104-H69-S	40	ER-32	6.000	1:1	50	-	69	59	91	63	104.85	82	36	75
HS.010.40-L117-H69-S	40	ER-32	6.000	1:1	50	-					117.55			
HS.010.40-L130-H69-S	40	ER-32	6.000	1:1	50	-					130.25			
HS.016.40-L104-H80-S	40	ER-32	6.000	1:1	50	20bar	80	59	91	63	104.85	82	36	75
HS.016.40-L117-H80-S	40	ER-32	6.000	1:1	50	20bar					117.55			
HS.016.40-L130-H80-S	40	ER-32	6.000	1:1	50	20bar					130.25			
HS.016.40-L104-H69-S	40	ER-32	6.000	1:1	50	20bar	69	59	91	63	104.85	82	36	75
HS.016.40-L117-H69-S	40	ER-32	6.000	1:1	50	20bar					117.55			
HS.016.40-L130-H69-S	40	ER-32	6.000	1:1	50	20bar					130.25			
HS.016.40/HP-L104-H80-S	40	ER-32	6.000	1:1	50	80bar	80	69			104.85			
HS.016.40/HP-L117-H80-S	40	ER-32	6.000	1:1	50	80bar					117.55			
HS.016.40/HP-L130-H80-S	40	ER-32	6.000	1:1	50	80bar					130.25			
HS.016.40/HP-L104-H69-S	40	ER-32	6.000	1:1	50	80bar	69				104.85			
HS.016.40/HP-L117-H69-S	40	ER-32	6.000	1:1	50	80bar					117.55			
HS.016.40/HP-L130-H69-S	40	ER-32	6.000	1:1	50	80bar					130.25			

\* The livetools can be equipped with Weldon shaft or shell-mill shaft upon request.

## VDI-40 Models

- DF-20/30 Y Hybrid VB12
- DS-20/30 SS/SSY-Hybrid VB24
- DS-20/30 Y-Hybrid VB12
- SL-20 Hybrid VB12
- SL-30 Hybrid VB12
- SL-40
- ST-20/30 SS/SSY-Hybrid VB24
- ST-20/30 Y Hybrid VB12
- ST-40
- TL-15
- TL-25



Haas

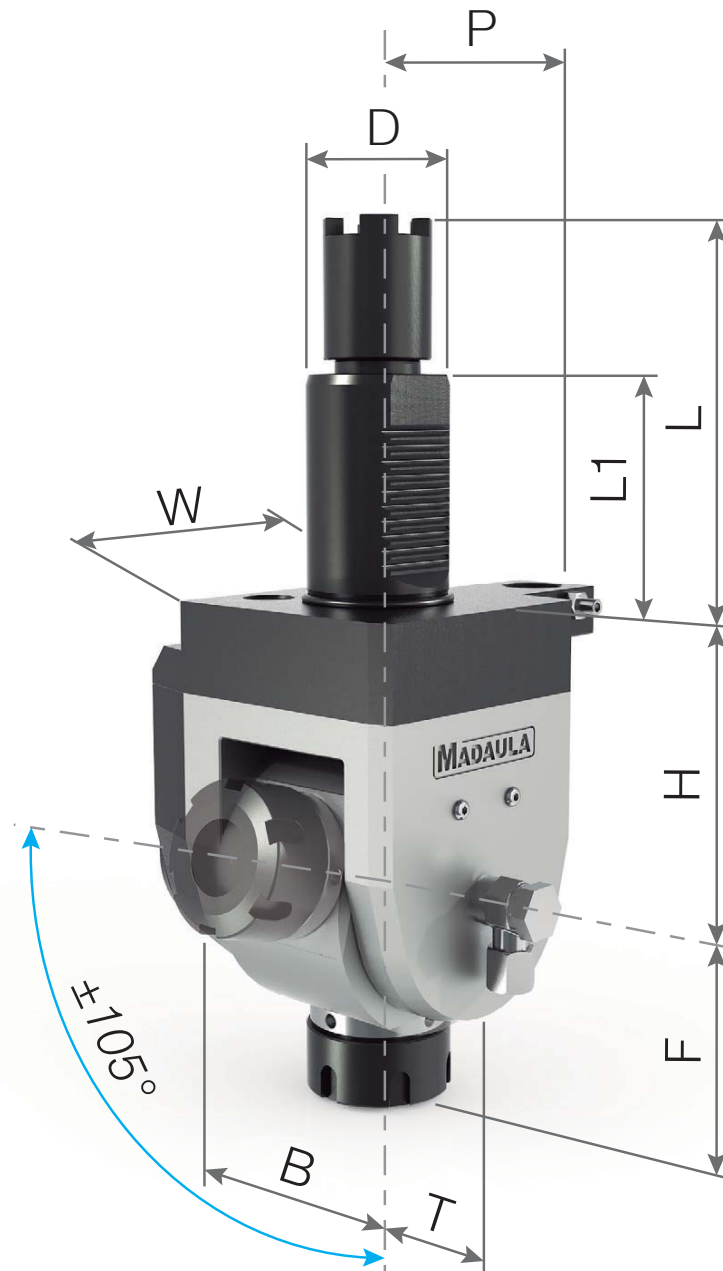
Code	D mm	ER-25	RPM. Max.	1:1	Nm. Max.	-	H mm	B mm	F mm	L mm	L1 mm	P mm	T mm	W mm
HS.011.40-ER25-L104	40	ER-25	6.000	1:1	50	-	120	92	39	63	104.85	82	36	75
HS.011.40-ER25-L117	40	ER-25	6.000	1:1	50	-					117.55			
HS.011.40-ER25-L130	40	ER-25	6.000	1:1	50	-					130.25			
HS.011.40-ER32-L104	40	ER-32	6.000	1:1	50	-					104.85			
HS.011.40-ER32-L117	40	ER-32	6.000	1:1	50	-					117.55			
HS.011.40-ER32-L130	40	ER-32	6.000	1:1	50	-					130.25			
HS.017.40-ER25-L104	40	ER-25	6.000	1:1	50	20bar		95	39	63	104.85	82	36	75
HS.017.40-ER25-L117	40	ER-25	6.000	1:1	50	20bar					117.55			
HS.017.40-ER25-L130	40	ER-25	6.000	1:1	50	20bar					130.25			
HS.017.40-ER32-L104	40	ER-32	6.000	1:1	50	20bar					104.85			
HS.017.40-ER32-L117	40	ER-32	6.000	1:1	50	20bar					117.55			
HS.017.40-ER32-L130	40	ER-32	6.000	1:1	50	20bar					130.25			
HS.017.40/HP-ER25-L104	40	ER-25	6.000	1:1	50	80bar		105	39	63	104.85	82	36	75
HS.017.40/HP-ER25-L117	40	ER-25	6.000	1:1	50	80bar					117.55			
HS.017.40/HP-ER25-L130	40	ER-25	6.000	1:1	50	80bar					130.25			
HS.017.40/HP-ER32-L104	40	ER-32	6.000	1:1	50	80bar					104.85			
HS.017.40/HP-ER32-L117	40	ER-32	6.000	1:1	50	80bar					117.55			
HS.017.40/HP-ER32-L130	40	ER-32	6.000	1:1	50	80bar					130.25			




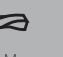

\* The livetools can be equipped with Weldon shaft or shell-mill shaft upon request.

## VDI-40 Models

- DF-20/30 Y Hybrid VB12
- DS-20/30 SS/SSY-Hybrid VB24
- DS-20/30 Y-Hybrid VB12
- SL-20 Hybrid VB12
- SL-30 Hybrid VB12
- SL-40
- ST-20/30 SS/SSY-Hybrid VB24
- ST-20/30 Y Hybrid VB12
- ST-40
- TL-15
- TL-25

Haas



Code	D mm		 RPM. Max.	 1:1	 Nm. Max.		H mm	B mm	F mm	L mm	L1 mm	P mm	T mm	W mm
HS.021.40-L104	40	ER-25	6.000	1:1	50	-					104.85			
HS.021.40-L117	40	ER-25	6.000	1:1	50	-					117.55			
HS.021.40-L130	40	ER-25	6.000	1:1	50	-					130.25			
HS.022.40-L104	40	ER-32	6.000	1:1	50	20bar	86	59	65	63	104.85	82	40	78
HS.022.40-L117	40	ER-32	6.000	1:1	50	20bar					117.55			
HS.022.40-L130	40	ER-32	6.000	1:1	50	20bar					130.25			

\* The livetools can be equipped with Weldon shaft or shell-mill shaft upon request.



# INDEX






## VDI-30 Models

**Index:** B400 VDI30  
G220 VDI30  
G250 VDI30  
G300 VDI30  
V160 VDI30  
V250 VDI30  
V300 VDI30  
**Traub:** TNA 400.2 VDI30  
TNX 65 VDI30

## VDI-40 Models

**Index:** G250 VDI40  
**Traub:** TNA 400.2 VDI40



Code	D mm		 RPM. Max.	 1:1	 Nm. Max.		F mm	L mm	W mm	W1 mm
<b>VDI-30</b>	IN.000.30	ER-25	6.000	1:1	28	-	90	45	64	68
	IN.005.30	ER-25	6.000	1:1	28	20bar				
	IN.005.30/HP	ER-25A	6.000	1:1	28	80bar	88.5		67	67
<b>VDI-40</b>	IN.000.40-ER25	ER-25	6.000	1:1	50	-	106	53	80	86
	IN.000.40-ER32	ER-32	6.000	1:1	50	-	109			
	IN.005.40-ER25	ER-25	6.000	1:1	50	20bar	106			
	IN.005.40-ER32	ER-32	6.000	1:1	50	20bar	109			
	IN.005.40/HP-ER25	ER-25A	6.000	1:1	50	80bar	93.5		79	79
	IN.005.40/HP-ER32	ER-32A	6.000	1:1	50	80bar				

\* The livetools can be equipped with Weldon shaft or shell-mill shaft upon request.

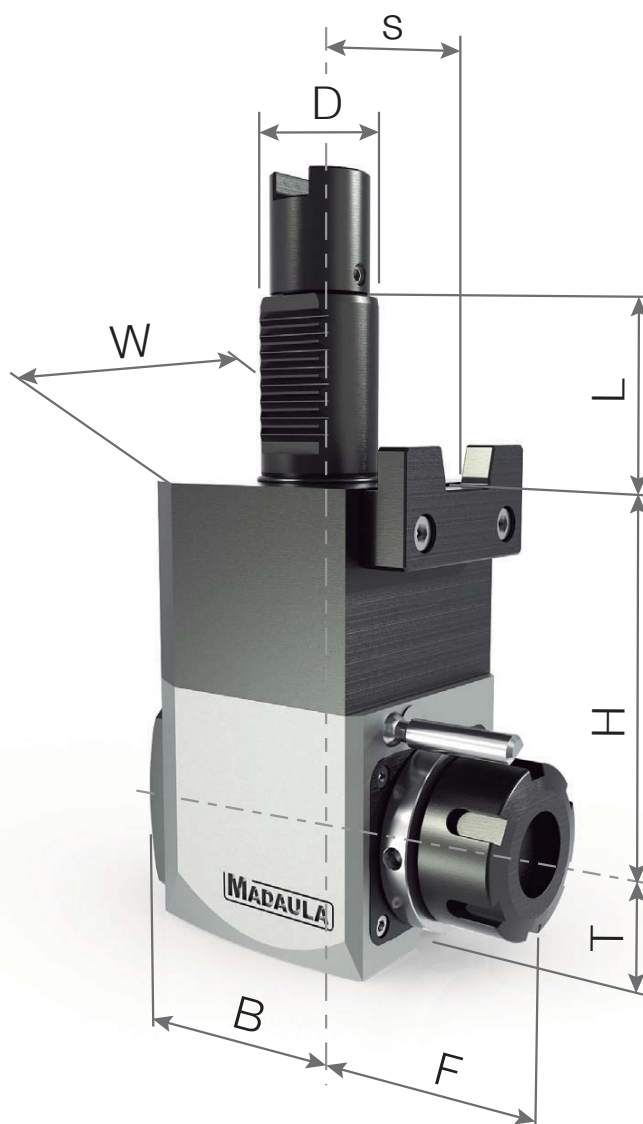
# INDEX






## VDI-30 Models

**Index:** B400 VDI30  
G220 VDI30  
G250 VDI30  
G300 VDI30  
V160 VDI30  
V250 VDI30  
V300 VDI30  
**Traub:** TNA 400.2 VDI30  
TNX 65 VDI30

## VDI-40 Models

**Index:** G250 VDI40  
**Traub:** TNA 400.2 VDI40



Code	D mm		 RPM. Max.	 1:1	 Nm. Max.		H mm	B mm	F mm	L mm	S mm	T mm	W mm	
<b>VDI-30</b>	IN.010.30	30	ER-25	6.000	1:1	28	-	85	48	65	45	36	29	64
	IN.016.30	30	ER-25	6.000	1:1	28	20bar		51					
	IN.016.30/HP	30	ER-25	6.000	1:1	28	80bar		61					
<b>VDI-40</b>	IN.010.40-ER25	40	ER-25	6.000	1:1	50	-	100	59	53	43	36	75	
	IN.010.40-ER32	40	ER-32	6.000	1:1	50	-		75					
	IN.016.40-ER25	40	ER-25	6.000	1:1	50	20bar		72					
	IN.016.40-ER32	40	ER-32	6.000	1:1	50	20bar		75					
	IN.016.40/HP-ER25	40	ER-25	6.000	1:1	50	80bar		72					
	IN.016.40/HP-ER32	40	ER-32	6.000	1:1	50	80bar		75					

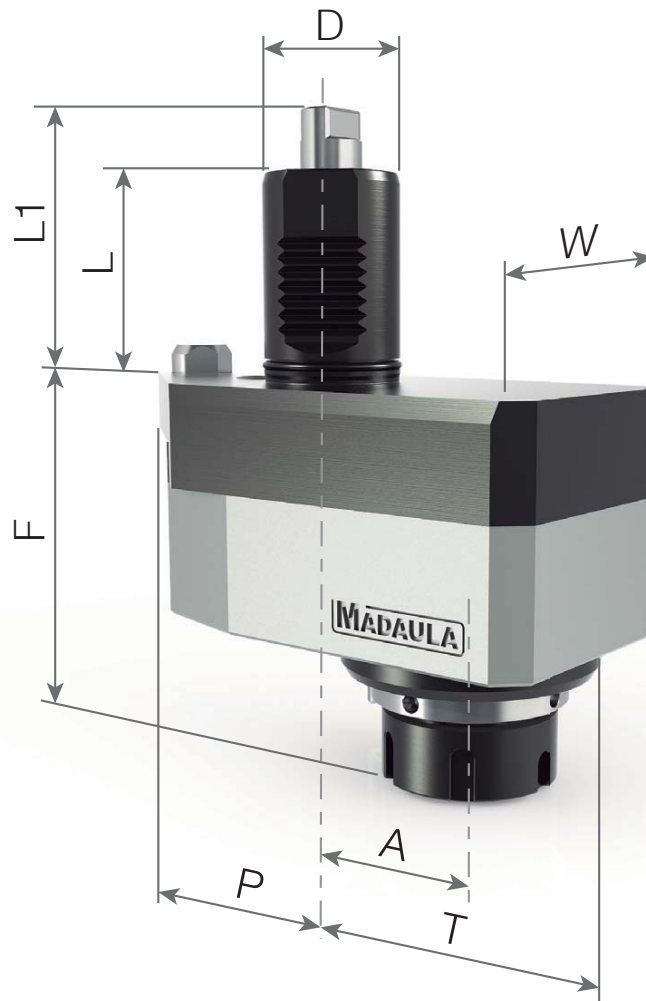
\* The livetools can be equipped with Weldon shaft or shell-mill shaft upon request.

## VDI-40/61 Models

QT 100 M/MS/MY/MSY  
 QT 200 M/MS/MY/MSY 16ST  
 QT 250 M/MS/MY/MSY 16ST  
 QTN 100 M/MS/MY/MSY  
 QTNX 100 M/MS/MY/MSY  
 QTNX 200 M/MS/MY/MSY 16ST  
 QTNX 250 M/MS/MY/MSY 16ST  
 SQT 10 M/MS  
 SQT 100 M/MS/MY/MSY  
 SQT 200 M/MS/MY/MSY  
 SQT 200 M/MS/MY/MSY  
 SQT 250 M/MS/MY/MSY  
 SQT 250 M/MS/MY/MSY 16ST

## VDI-40/78 Models

IVS-200, 300 M  
 MZ40V  
 QT 200 M/MS/MY/MSY  
 QT 250 M/MS/MY/MSY  
 QTN 200 M/MS/MY/MSY  
 QTN 250 M/MS/MY/MSY  
 SQT 15 M/MS/MY/MSY  
 SQT 18 M/MS/MY/MSY  
 SQT 200 M/MS/MY/MSY  
 SQT 250 M/MS/MY/MSY  
 Super Quadrex 200 M  
 Super Quadrex 250 M



Code	D mm		 RPM. Max.	 Nm. Max.		A mm	F mm	L mm	L1 mm	P mm	T mm	W mm		
VDI-40/61	MZ.001.40/61	40	ER-32	6.000	1:1	50	-							
	MZ.026.40/61	40	ER-32	12.000	1:2	25	-							
	MZ.027.40/61	40	ER-32	3.000	2:1	80	-	50	111	60	61	84	90	78
	MZ.006.40/61	40	ER-32	6.000	1:1	50	20bar							
	MZ.007.40/61	40	ER-32	12.000	1:2	25	20bar							
	MZ.009.40/61	40	ER-32	3.000	2:1	80	20bar							
VDI-40/78	MZ.001.40/78	40	ER-32	6.000	1:1	50	-							
	MZ.026.40/78	40	ER-32	12.000	1:2	25	-							
	MZ.027.40/78	40	ER-32	3.000	2:1	80	-	50	111	78	61	84	90	78
	MZ.006.40/78	40	ER-32	6.000	1:1	50	20bar							
	MZ.007.40/78	40	ER-32	12.000	1:2	25	20bar							
	MZ.009.40/78	40	ER-32	3.000	2:1	80	20bar							

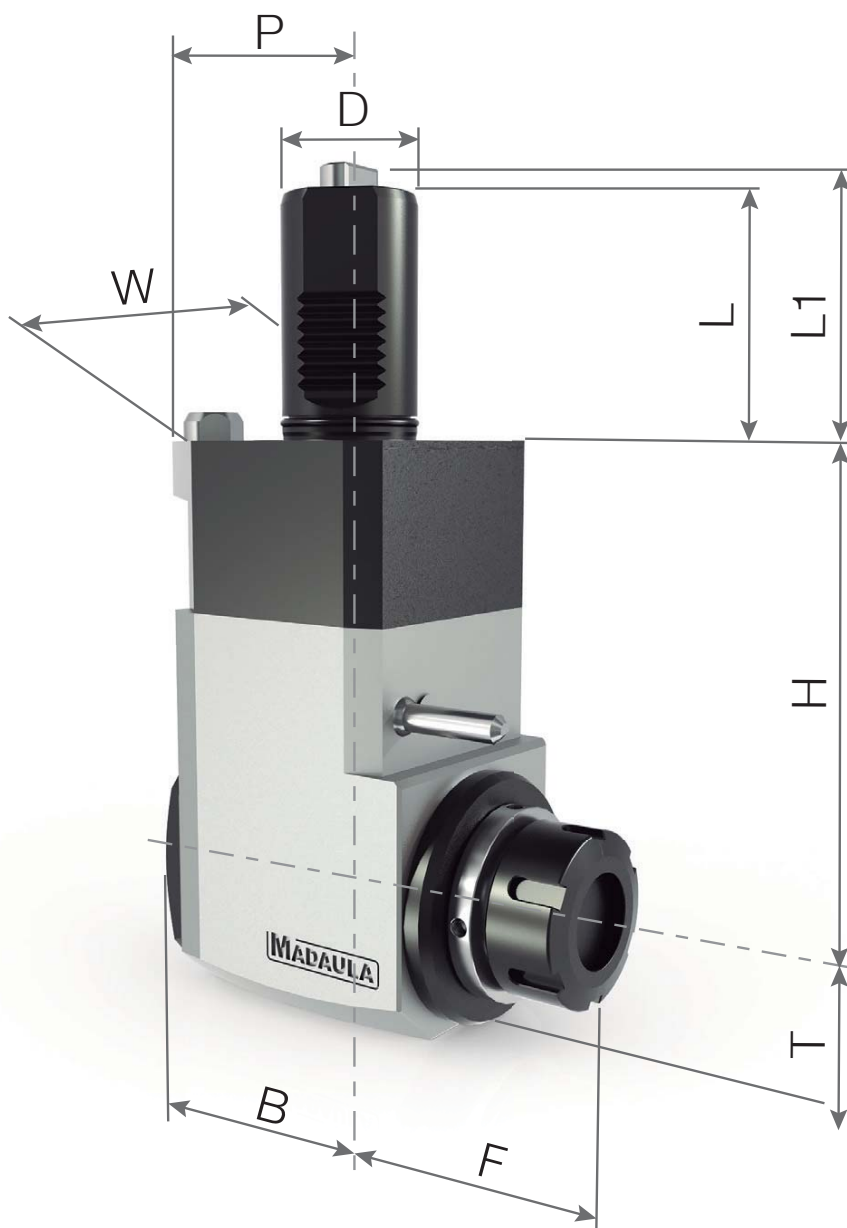
\* The livetools can be equipped with Weldon shaft or shell-mill shaft upon request.

## VDI-40/61 Models

QT 100 M/MS/MY/MSY  
 QT 200 M/MS/MY/MSY 16ST  
 QT 250 M/MS/MY/MSY 16ST  
 QTN 100 M/MS/MY/MSY  
 QTNX 100 M/MS/MY/MSY  
 QTNX 200 M/MS/MY/MSY 16ST  
 QTNX 250 M/MS/MY/MSY 16ST  
 SQT 10 M/MS  
 SQT 100 M/MS/MY/MSY  
 SQT 200 M/MS/MY/MSY  
 SQT 200 M/MS/MY/MSY  
 SQT 250 M/MS/MY/MSY  
 SQT 250 M/MS/MY/MSY 16ST

## VDI-40/78 Models

IVS-200, 300 M  
 MZ40V  
 QT 200 M/MS/MY/MSY  
 QT 250 M/MS/MY/MSY  
 QTN 200 M/MS/MY/MSY  
 QTN 250 M/MS/MY/MSY  
 SQT 15 M/MS/MY/MSY  
 SQT 18 M/MS/MY/MSY  
 SQT 200 M/MS/MY/MSY  
 SQT 250 M/MS/MY/MSY  
 Super Quadrex 200 M  
 Super Quadrex 250 M



Code	D						H	B	F	L	L1	P	T	W	
	mm		RPM. Max.		Nm. Max.		mm	mm	mm	mm	mm	mm	mm	mm	
<b>VDI-40/61</b>	MZ.010.40/61	40	ER-32	6.000	1:1	50	-	59							
	MZ.016.40/61	40	ER-32	6.000	1:1	50	20bar	100	62	88	60	61	79	37	76
	MZ.016.40/61/HP	40	ER-32	6.000	1:1	50	80bar		72						
<b>VDI-40/78</b>	MZ.010.40/78	40	ER-32	6.000	1:1	50	-	59							
	MZ.016.40/78	40	ER-32	6.000	1:1	50	20bar	130	62	88	70	78	84	37	76
	MZ.016.40/78/HP	40	ER-32	6.000	1:1	50	80bar		72						

\* The livetools can be equipped with Weldon shaft or shell-mill shaft upon request.

## VDI-30 Models

Genos L200 E-M/MY V12M  
 Genos L2000 E-M LR 10  
 ES L6 II-M LT 10-M  
 ES L8 II-M LT 200-M  
 LB 10-M LU 2000-M  
 LB 10-MW LU 200-M  
 LB 2000-M VL2 / VLC100  
 LB 200-M VL2 P  
 LB 200-MW VL4-V2  
 LB 200-MY VT2 / VTC100

## VDI-40/93 Models

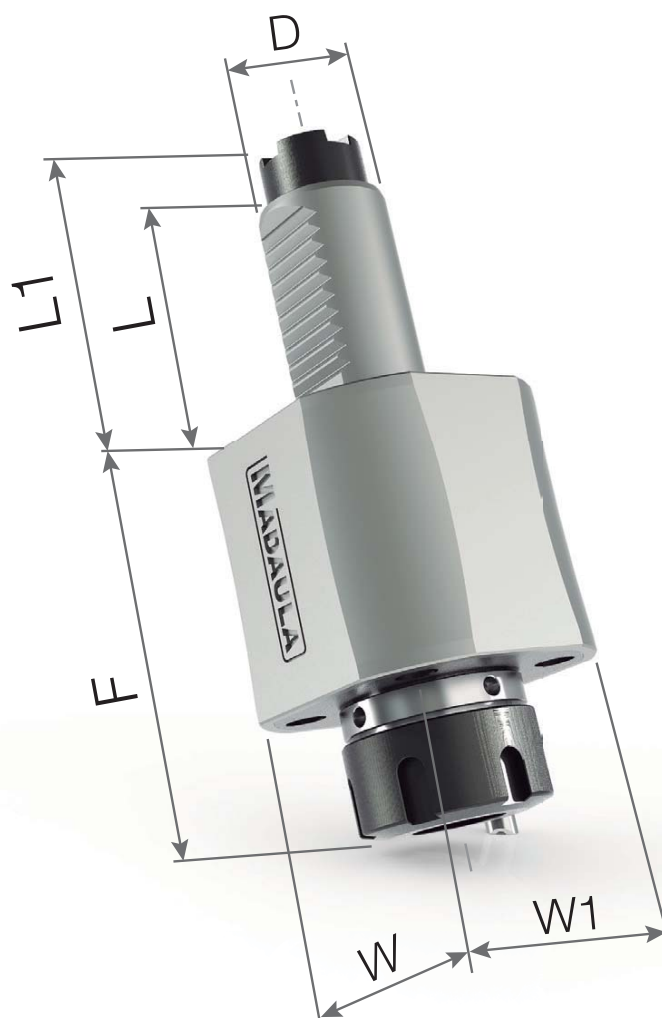
Captain L370 M/MW  
 Genos L300 E-M/MY  
 Genos L3000 E-M V12M  
 ES L10 II M  
 LB 15 LU 15  
 LB 300 MW LVT 300 M  
 LBR 370 MacTurn 250  
 LT 15 MacTurn 350  
 LT 300-M MacTurn 550






## VDI-40/101 Models

Captain L470 M LR 25  
 LB 25-M LU 25-M  
 LB 4000 LU 400-M  
 LB 400-M LVT 400-M

## VDI-50 Models

LB 35 M  
 LU 35 II M



Code	D mm		 RPM. Max.	 1:1	 Nm. Max.		F mm	L mm	L1 mm	W mm	W1 mm	
VDI-30	OK.000.30	30	ER-25	6.000	1:1	28	-	90	55	69	64	68
	OK.005.30	30	ER-25	6.000	1:1	28	20bar					
	OK.005.30/HP	30	ER-25A	6.000	1:1	28	80bar	88.5	67	67		
VDI-40/93	OK.000.40/93-ER25	40	ER-25	6.000	1:1	50	-	106	63	93	80	86
	OK.000.40/93-ER32	40	ER-32	6.000	1:1	50	-	109				
	OK.005.40/93-ER25	40	ER-25	6.000	1:1	50	20bar	106				
	OK.005.40/93-ER32	40	ER-32	6.000	1:1	50	20bar	109				
	OK.005.40/93/HP-ER25	40	ER-25A	6.000	1:1	50	80bar	93.5			79	79
	OK.005.40/93/HP-ER32	40	ER-32A	6.000	1:1	50	80bar					

\* The livetools can be equipped with Weldon shaft or shell-mill shaft upon request.

## VDI-30 Models

Genos L200 E-M/MY V12M  
 Genos L2000 E-M LR 10  
 ES L6 II-M LT 10-M  
 ES L8 II-M LT 200-M  
 LB 10-M LU 2000-M  
 LB 10-MW LU 200-M  
 LB 2000-M VL2 / VLC100  
 LB 200-M VL2 P  
 LB 200-MW VL4-V2  
 LB 200-MY VT2 / VTC100

## VDI-40/93 Models

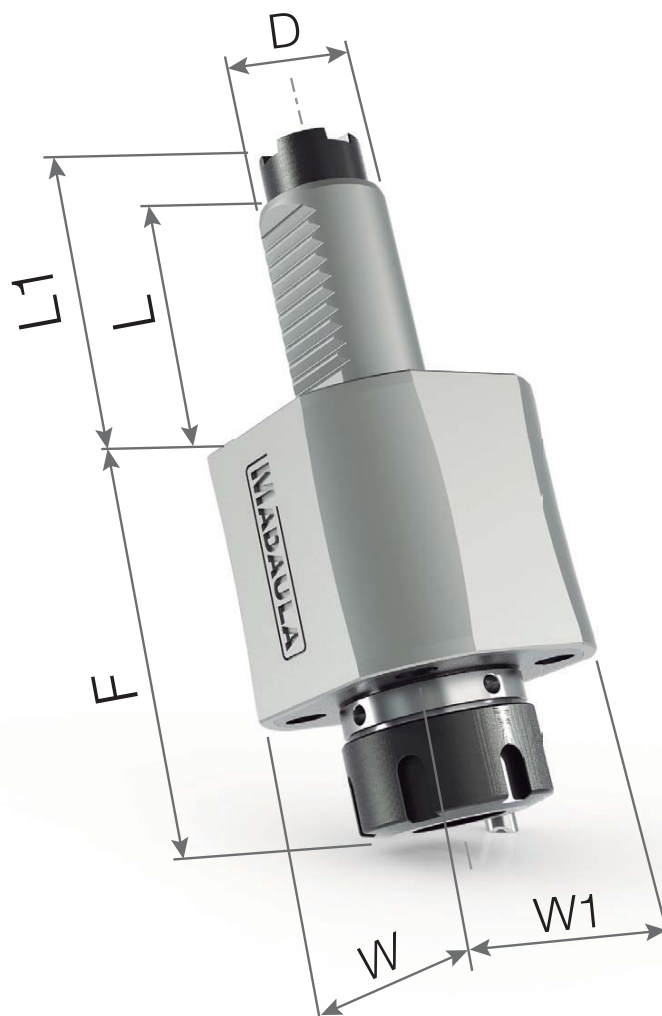
Captain L370 M/MW  
 Genos L300 E-M/MY  
 Genos L3000 E-M V12M  
 ES L10 II M  
 LB 15 LU 15  
 LB 300 MW LVT 300 M  
 LBR 370 MacTurn 250  
 LT 15 MacTurn 350  
 LT 300-M MacTurn 550






## VDI-40/101 Models

Captain L470 M LR 25  
 LB 25-M LU 25-M  
 LB 4000 LU 400-M  
 LB 400-M LVT 400-M

## VDI-50 Models

LB 35 M  
 LU 35 II M



Code	D mm		 RPM. Max.	 1:1	 Nm. Max.		F mm	L mm	L1 mm	W mm	W1 mm	
VDI-40/101	OK.000.40/101-ER25	40	ER-25	6.000	1:1	50	-	106	63	101	80	86
	OK.000.40/101-ER32	40	ER-32	6.000	1:1	50	-	109				
	OK.005.40/101-ER25	40	ER-25	6.000	1:1	50	20bar	106				
	OK.005.40/101-ER32	40	ER-32	6.000	1:1	50	20bar	109				
	OK.005.40/101/HP-ER25	40	ER-25A	6.000	1:1	50	80bar	93.5			79	79
	OK.005.40/101/HP-ER32	40	ER-32A	6.000	1:1	50	80bar					
VDI-50	OK.000.50-ER32	50	ER-32	6.000	1:1	80	-	114	71	106	88	88
	OK.000.50-ER40	50	ER-40	6.000	1:1	80	-					
	OK.005.50-ER32	50	ER-32	6.000	1:1	80	20bar	116				
	OK.005.50-ER40	50	ER-40	6.000	1:1	80	20bar					

\* The livetools can be equipped with Weldon shaft or shell-mill shaft upon request.



## VDI-30 Models

Genos L200 E-M/MY V12M  
 Genos L2000 E-M LR 10  
 ES L6 II-M LT 10-M  
 ES L8 II-M LT 200-M  
 LB 10-M LU 2000-M  
 LB 10-MW LU 200-M  
 LB 2000-M VL2 / VLC100  
 LB 200-M VL2 P  
 LB 200-MW VL4-V2  
 LB 200-MY VT2 / VTC100

## VDI-40/93 Models

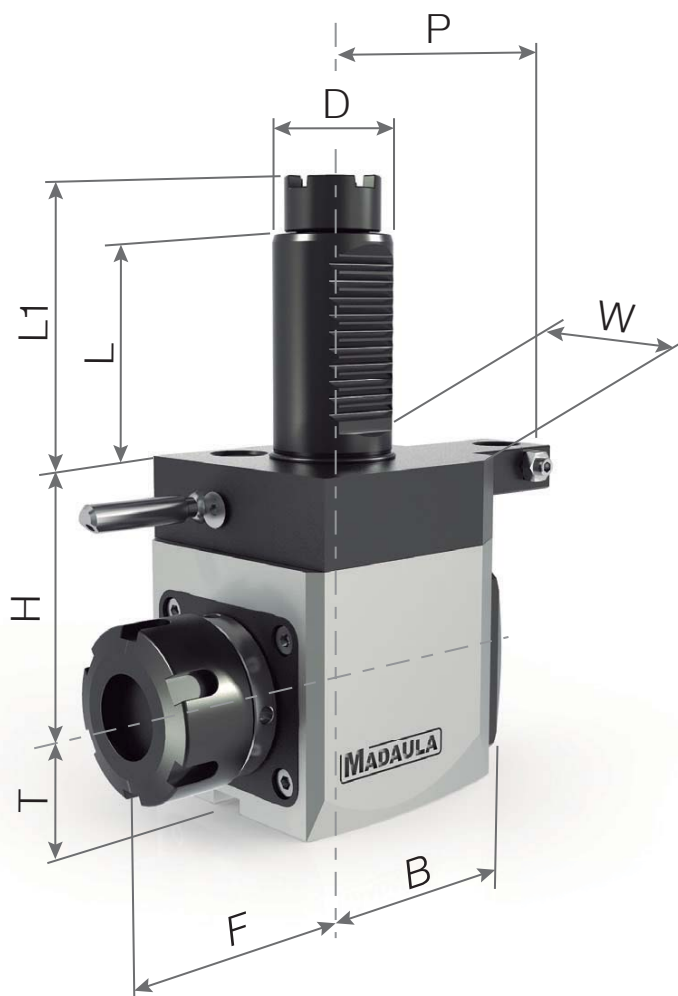
Captain L370 M/MW  
 Genos L300 E-M/MY  
 Genos L3000 E-M V12M  
 ES L10 II M  
 LB 15 LU 15  
 LB 300 MW LVT 300 M  
 LBR 370 MacTurn 250  
 LT 15 MacTurn 350  
 LT 300-M MacTurn 550

## VDI-40/101 Models

Captain L470 M LR 25  
 LB 25-M LU 25-M  
 LB 400 LU 400-M  
 LB 400-M LVT 400-M

## VDI-50 Models

LB 35 M  
 LU 35 II M



Code	D mm	ER-25	RPM. Max.	1:1	Nm. Max.	IC	H mm	B mm	F mm	L mm	L1 mm	P mm	T mm	W mm	
VDI-30	OK.010.30-H85	30	ER-25	6.000	1:1	28	-	85	48	65	55	69	29	64	
	OK.010.30-H55	30	ER-25	6.000	1:1	28	-	55							
	OK.016.30-H85	30	ER-25	6.000	1:1	28	20bar	85	51						
	OK.016.30-H55	30	ER-25	6.000	1:1	28	20bar	55							
	OK.016.30/HP-H85	30	ER-25	6.000	1:1	28	80bar	85	61						
	OK.016.30/HP-H55	30	ER-25	6.000	1:1	28	80bar	55							
VDI-40/93	OK.010.40/93-ER25	40	ER-25	6.000	1:1	50	-	80	72	63	93	82	36	75	
	OK.010.40/93-ER32	40	ER-32	6.000	1:1	50	-		59						75
	OK.016.40/93-ER25	40	ER-25	6.000	1:1	50	20bar		62						72
	OK.016.40/93-ER32	40	ER-32	6.000	1:1	50	20bar								75
	OK.016.40/93/HP-ER25	40	ER-25	6.000	1:1	50	80bar		72						72
	OK.016.40/93/HP-ER32	40	ER-32	6.000	1:1	50	80bar								75

\* The livetools can be equipped with Weldon shaft or shell-mill shaft upon request.

## VDI-30 Models

Genos L200 E-M/MY V12M  
 Genos L2000 E-M LR 10  
 ES L6 II-M LT 10-M  
 ES L8 II-M LT 200-M  
 LB 10-M LU 2000-M  
 LB 10-MW LU 200-M  
 LB 2000-M VL2 / VLC100  
 LB 200-M VL2 P  
 LB 200-MW VL4-V2  
 LB 200-MY VT2 / VTC100

## VDI-40/93 Models

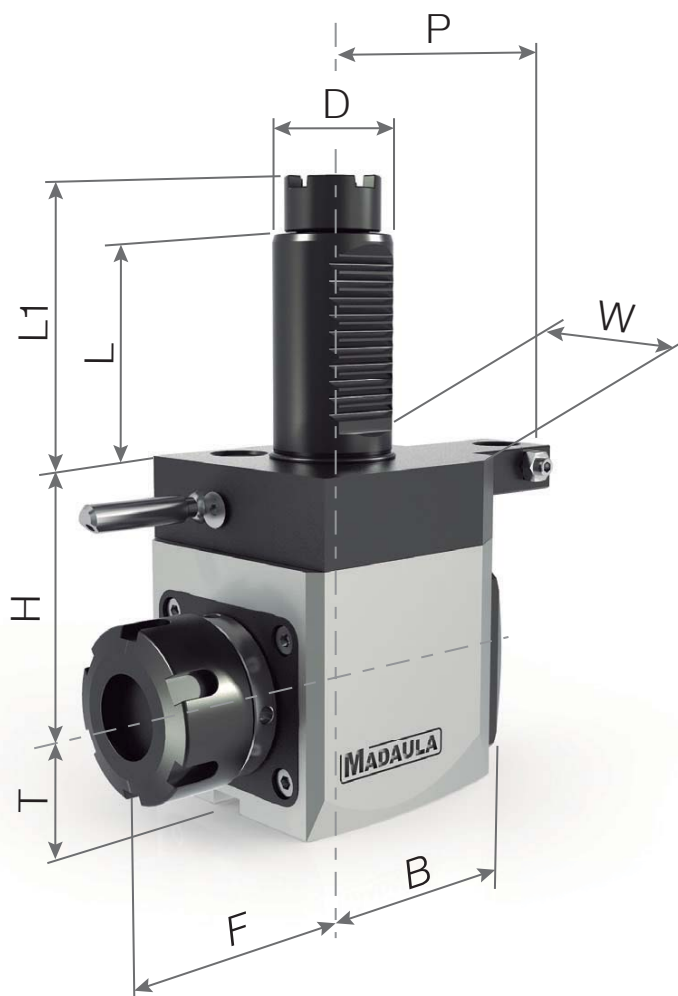
Captain L370 M/MW  
 Genos L300 E-M/MY  
 Genos L3000 E-M V12M  
 ES L10 II M  
 LB 15 LU 15  
 LB 300 MW LVT 300 M  
 LBR 370 MacTurn 250  
 LT 15 MacTurn 350  
 LT 300-M MacTurn 550

## VDI-40/101 Models

Captain L470 M LR 25  
 LB 25-M LU 25-M  
 LB 4000 LU 400-M  
 LB 400-M LVT 400-M

## VDI-50 Models

LB 35 M  
 LU 35 II M



Code	D mm		 RPM. Max.	 Nm. Max.		H mm	B mm	F mm	L mm	L1 mm	P mm	T mm	W mm			
VDI-40/101	OK.010.40/101-ER25	40	ER-25	6.000	1:1	50	-	80	63	101	82	36	75			
	OK.010.40/101-ER32	40	ER-32	6.000	1:1	50	-							59	72	75
	OK.016.40/101-ER25	40	ER-25	6.000	1:1	50	20bar							62	72	75
	OK.016.40/101-ER32	40	ER-32	6.000	1:1	50	20bar							62	72	75
	OK.016.40/101/HP-ER25	40	ER-25	6.000	1:1	50	80bar							72	72	75
	OK.016.40/101/HP-ER32	40	ER-32	6.000	1:1	50	80bar							72	72	75
VDI-50	OK.010.50-ER32	50	ER-32	6.000	1:1	80	-	110	71	106	102	42	88			
	OK.010.50-ER40	50	ER-40	6.000	1:1	80	-							64	117	119
	OK.016.50-ER32	50	ER-32	6.000	1:1	80	20bar							64	117	119
	OK.016.50-ER40	50	ER-40	6.000	1:1	80	20bar							64	117	119
	OK.016.50/HP-ER32	50	ER-32	6.000	1:1	80	80bar							75	117	119
	OK.016.50/HP-ER40	50	ER-40	6.000	1:1	80	80bar							75	117	119

\* The livetools can be equipped with Weldon shaft or shell-mill shaft upon request.

## VDI-30 Models

Genos L200 E-M/MY V12M  
Genos L2000 E-M LR 10  
ES L6 II-M LT 10-M  
ES L8 II-M LT 200-M  
LB 10-M LU 2000-M  
LB 10-MW LU 200-M  
LB 2000-M VL2 / VLC100  
LB 200-M VL2 P  
LB 200-MW VL4-V2  
LB 200-MY VT2 / VTC100

## VDI-40/93 Models

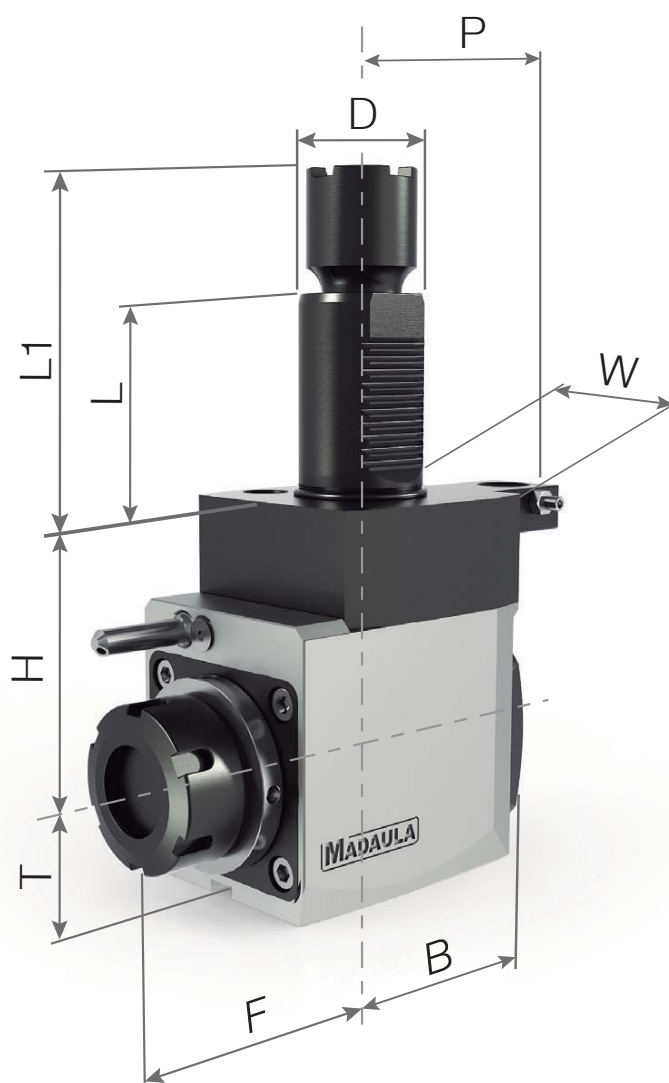
Captain L370 M/MW  
Genos L300 E-M/MY  
Genos L3000 E-M V12M  
ES L10 II M  
LB 15 LU 15  
LB 300 MW LVT 300 M  
LBR 370 MacTurn 250  
LT 15 MacTurn 350  
LT 300-M MacTurn 550






## VDI-40/101 Models

Captain L470 M LR 25  
LB 25-M LU 25-M  
LB 4000 LU 400-M  
LB 400-M LVT 400-M

## VDI-50 Models

LB 35 M  
LU 35 II M



Code	D mm		 RPM. Max.	 1:1	 Nm. Max.		H mm	B mm	F mm	L mm	L1 mm	P mm	T mm	W mm
VDI-40/93	OK.010.40/93-H80-S	40	ER-32	6.000	1:1	50	-	80						
	OK.010.40/93-H67-S	40	ER-32	6.000	1:1	50	-	67						
	OK.016.40/93-H80-S	40	ER-32	6.000	1:1	50	20bar	80						
	OK.016.40/93-H67-S	40	ER-32	6.000	1:1	50	20bar	67	91	63	93	82	36	75
	OK.016.40/93/HP-H80-S	40	ER-32	6.000	1:1	50	80bar	80						
	OK.016.40/93/HP-H67-S	40	ER-32	6.000	1:1	50	80bar	67						
VDI-40/101	OK.010.40/101-H80-S	40	ER-32	6.000	1:1	50	-							
	OK.016.40/101-H80-S	40	ER-32	6.000	1:1	50	20bar	80	91	63	101	82	36	75
	OK.016.40/HP101-H80-S	40	ER-32	6.000	1:1	50	80bar							

\* The livetools can be equipped with Weldon shaft or shell-mill shaft upon request.

## VDI-30 Models

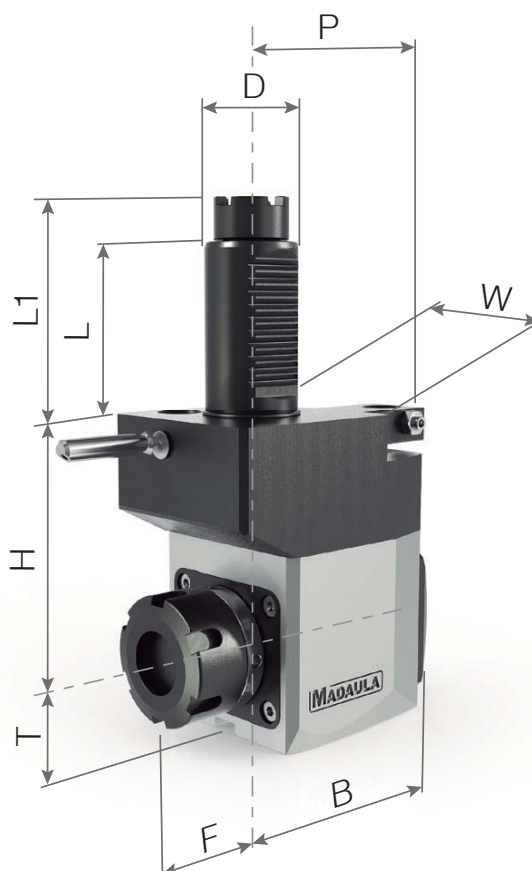
Genos L200 E-M/MY V12M  
 Genos L2000 E-M LR 10  
 ES L6 II-M LT 10-M  
 ES L8 II-M LT 200-M  
 LB 10-M LU 2000-M  
 LB 10-MW LU 200-M  
 LB 2000-M VL2 / VLC100  
 LB 200-M VL2 P  
 LB 200-MW VL4-V2  
 LB 200-MY VT2 / VTC100

## VDI-40/93 Models

Captain L370 M/MW  
 Genos L300 E-M/MY  
 Genos L3000 E-M V12M  
 ES L10 II M  
 LB 15 LU 15  
 LB 300 MW LVT 300 M  
 LBR 370 MacTurn 250  
 LT 15 MacTurn 350  
 LT 300-M MacTurn 550

## VDI-40/101 Models

Captain L470 M LR 25  
 LB 25-M LU 25-M  
 LB 4000 LU 400-M  
 LB 400-M LVT 400-M



Code	D mm		 RPM. Max.	 Nm. Max.		H mm	B mm	F mm	L mm	L1 mm	P mm	T mm	W mm			
VDI-30	OK.011.30	30	ER-25	6.000	1:1	28	-		71							
	OK.017.30	30	ER-25	6.000	1:1	28	20bar		75	74	42	55	69	72	29	64
	OK.017.30/HP	30	ER-25	6.000	1:1	28	80bar			84						
VDI-40/93	OK.011.40/93-ER25	40	ER-25	6.000	1:1	50	-			92	39					
	OK.011.40/93-ER32	40	ER-32	6.000	1:1	50	-			41						
	OK.017.40/93-ER25	40	ER-25	6.000	1:1	50	20bar		120	95	39	63	93	82	36	75
	OK.017.40/93-ER32	40	ER-32	6.000	1:1	50	20bar			41						
	OK.017.40/93/HP-ER25	40	ER-25	6.000	1:1	50	80bar			105	39					
	OK.017.40/93/HP-ER32	40	ER-32	6.000	1:1	50	80bar			41						
VDI-40/101	OK.011.40/93-ER25	40	ER-25	6.000	1:1	50	-			92	39					
	OK.011.40/93-ER32	40	ER-32	6.000	1:1	50	-			41						
	OK.017.40/93-ER25	40	ER-25	6.000	1:1	50	20bar		120	95	39	63	101	82	36	75
	OK.017.40/93-ER32	40	ER-32	6.000	1:1	50	20bar			41						
	OK.017.40/93/HP-ER25	40	ER-25	6.000	1:1	50	80bar			105	39					
	OK.017.40/93/HP-ER32	40	ER-32	6.000	1:1	50	80bar			41						

\* The livetools can be equipped with Weldon shaft or shell-mill shaft upon request.

## VDI-30 Models

Genos L200 E-M/MY V12M  
 Genos L2000 E-M LR 10  
 ES L6 II-M LT 10-M  
 ES L8 II-M LT 200-M  
 LB 10-M LU 2000-M  
 LB 10-MW LU 200-M  
 LB 2000-M VL2 / VLC100  
 LB 200-M VL2 P  
 LB 200-MW VL4-V2  
 LB 200-MY VT2 / VTC100

## VDI-40/93 Models

Captain L370 M/MW  
 Genos L300 E-M/MY  
 Genos L3000 E-M V12M  
 ES L10 II M  
 LB 15 LU 15  
 LB 300 MW LVT 300 M  
 LBR 370 MacTurn 250  
 LT 15 MacTurn 350  
 LT 300-M MacTurn 550

## VDI-40/101 Models

Captain L470 M LR 25  
 LB 25-M LU 25-M  
 LB 4000 LU 400-M  
 LB 400-M LVT 400-M

## VDI-50 Models

LB 35 M  
 LU 35 II M



Code	D							H	B	F	L	L1	P	T	W
	mm							mm	mm	mm	mm	mm	mm	mm	mm
			RPM. Max.		Nm. Max.										
<b>VDI-30</b>	OK.021.30	30	ER-16A	6.000	1:1	16	-	86	59	45	55	69	57	40	64
	OK.022.30	30	ER-16A	6.000	1:1	16	20bar	86	59	45	55	69	57	40	64
<b>VDI-40/93</b>	OK.021.40/93	40	ER-25	6.000	1:1	16	-	86	59	65	63	93	82	40	78
	OK.022.40/93	40	ER-25	6.000	1:1	16	20bar	86	59	65	63	93	82	40	78
<b>VDI-40/93</b>	OK.021.40/101	40	ER-25	6.000	1:1	16	-	86	59	65	63	101	82	40	78
	OK.022.40/101	40	ER-25	6.000	1:1	16	20bar	86	59	65	63	101	82	40	78
<b>VDI-50</b>	OK.021.50	40	ER-25	6.000	1:1	16	-	86	59	65	71	106	102	44	94
	OK.022.50	40	ER-25	6.000	1:1	16	20bar	86	59	65	71	106	102	44	94

\* The livetools can be equipped with Weldon shaft or shell-mill shaft upon request.

## VDI-30 Models

**Accuway:** UT-100 M (DISC)  
**AKIRA SEIKI:** SL 25-MC (DISC)  
**Angelini:** Zenit (STAR)  
**Avia:** 30 M (STAR), 35 M/M/S (STAR)  
**Colchester:** T6MS (STAR)  
 T8MS (STAR)  
 T8MSY VDI30 (STAR)  
**DMG MORI / Gildemeister:**  
 CLX 350 V1/V3/V4 (STAR)  
 CLX 350 V6 (STAR)  
 CTV 160 right (STAR)  
 CTV 160 right (STAR, VERTICAL)  
 CTX 210 (DISC)  
 CTX 210 (STAR)  
 CTX 300 (STAR)  
 CTX 310 (DISC)  
 CTX 310 (STAR)  
 CTX 310 eco DIN5480 (DISC)  
 CTX 320 Schaff 30 (DISC)  
 CTX 320 Schaff 30 (STAR)  
 CTX 320 V1-V3 (DISC)  
 CTX 320 V4-V6 (DISC)  
 CTX 400E Schaff 30 V5 (STAR)  
 CTX 410 Schaff 30 (DISC)  
 CTX 410 Schaff 30 (STAR)  
 CTX 420 Schaff 30 (STAR)  
 CTX alpha 300 (DISC)

CTX alpha 500 (DISC)  
 CTX alpha 500 (STAR)  
 CTX alpha 500 V6 VDI30 (STAR)  
 CTX beta 1250 VDI30 (DISC)  
 CTX beta 1250 VDI30 (STAR)  
 CTX beta 500 VDI30 (DISC)  
 CTX beta 500 VDI30 (STAR)  
 CTX beta 800 VDI30 (DISC)  
 CTX beta 800 VDI30 (STAR)  
 ecoTURN 310 (DISC)  
 GM 70 5480 (STAR)  
 NEF 400 (DISC)  
 Sprint 65 (STAR)  
 TWIN 102 Schaff 30 (STAR)  
 TWIN 42 (STAR)  
 TWIN 65 Schaff 30 (STAR)  
**Doosan:** S240LM (STAR)  
 S280M Schaff 30 (STAR)  
 S310M (STAR)  
 S310NM (STAR)  
 Z290 (STAR)  
**Diplomatic:** VDI30 5480 (DISC)  
**EMCO:** 345 new (DISC)  
 365 new (STAR)  
 365 old (STAR)  
 465 new (STAR)  
 465 old (STAR)

Concept turn 450/460 (DISC)  
 E45 (DISC), E65 (DISC)  
 EMCOTURN 345/II DIN5480 (DISC)  
 Hyperturn 645 (STAR)  
 Hyperturn 665 (STAR)  
 Hyperturn 690 (STAR)  
 Maxx Turn 65 (STAR)  
**Force ONE:** FCL-450TM/S  
 550TM/S, 580TM  
**Ganesh:** ASL-100 M (VDI30) (STAR)  
**Gedee Weiler:** Uniturn 300, 400 (STAR)  
**Gital:** Gmc70 (STAR)  
**Graziano:** CTX 320 V4-V6 (STAR)  
 GT300 (STAR)  
 TWIN 50 (STAR)  
**Hardinge:** Elite 8/51 (STAR)  
 Elite 8/52 (STAR)  
 GS150M VDI30 (DISC)  
 GS150M VDI30 (STAR)  
 GS200M VDI30 (DISC)  
 GS200M VDI30 (STAR)  
 Talent 6/45 + 8/52 (DISC)  
 Talent VDI30 new (DISC)  
**HURCO:** TMM8 (STAR)  
**Hyundai WIA:** L 200, 250Y/SY (STAR)  
 SKT 200, 250Y/SY (STAR)  
**Kovosvit MAS:** Hi Turn 65-9x (STAR)

SP 180 MC/Y (DISC)  
**KUEN JENG:** KL-645 (DISC)  
**Leadwell:** LTC8T25MY VDI30 (STAR)  
**LMW:** LL20TM/MYL5 (VDI30) (STAR)  
**Magdeburger:** MV100 (DISC)  
**Monforts:** DNC3 (STAR)  
**Mori Seiki:** Dura turn 310Eco  
**NCT:** JCL 60 YTSM (STAR)  
**Saeilo:** Contur TSL-300 (DISC)  
**Sauter:** VDI30 5480 (DISC)/(STAR)  
**Scherer Feinbau:**  
 VDZ120 L Schaff30 (VERTICAL)  
 VDZ120 R Schaff30 (VERTICAL)  
**Schuster:**  
 VTM350 Future line (VERTICAL)  
**Spinner:** UP65-SMC (STAR)  
**TRENS:** SBL300 (STAR)  
**UVA:** T44 (DISC)  
 T51 (DISC)  
**Victor:** Vturn 16CV (STAR)  
 Vturn 20CV (STAR)  
 Vturn II 20YCV (STAR)  
**Weiler:** DZ67 (STAR)  
**WIA(KIA):** L150 SY (STAR)

## VDI-40 Models

**Alex-Tech:** VT 21/23MS (STAR)  
**Avia:** 50 M/M/S (STAR)  
**Boehringer:** NG180 (STAR)  
 NG200 (STAR)  
 NV250 left (STAR, VERTICAL)  
 NV250 right (STAR, VERTICAL)  
**Colchester:** T10M (DISC)  
**DMG MORI / Gildemeister:**  
 CTV 200 left (STAR, VERTICAL)  
 CTV 200 right (STAR, VERTICAL)  
 CTV 250 left (STAR, VERTICAL)  
 CTV 250 right (STAR, VERTICAL)  
 CTX 2500 VDI40 (DISC)  
 CTX 450 eco (DISC)  
 CTX 510 eco 5480 (DISC)  
 CTX beta 1250 VDI40 (DISC)  
 CTX beta 500 VDI40 (DISC)  
 CTX beta 800 VDI40 (DISC)  
 CTX gamma 1250 VDI40 (STAR)  
 CTX gamma 2000 VDI40 (STAR)  
 ecoTURN 450 (DISC)  
 ecoTURN 510 (DISC)  
 GMX 250 (STAR)

GMX 300 (STAR)  
 GMX 400 (STAR)  
 GMX 500 (STAR)  
 NEF 600 (DISC)  
 TWIN 102 Schaff 40 (STAR)  
 TWIN 65 Schaff 40 (STAR)  
**Doosan:** S390LM (STAR)  
 S550LM (STAR)  
**Diplomatic:** VDI40 5480 (DISC)/(STAR)  
**EMCO:** ET500 (STAR)  
 Maxx Turn 95 (DISC)  
 VT 250/260/400 (STAR, VERTICAL)  
**Fair Friend:** FTC-35-2S (STAR)  
**FAMAR:** Pronto 6 (STAR)  
**FMS:** NDM 20 (STAR)  
**Force ONE:** FCL-580TMS (STAR)  
**Fortune:** Vturn II 26 (DISC)  
**Graziano:** CTX 500 (STAR)  
**Hardinge:** GS200MSY (STAR)  
 GS250M VDI40 (DISC)  
**Hessapp:** Blueturn250 left (VERTICAL)  
 Blueturn250 right (STAR, VERTICAL)  
**HURCO:** TMX10 MY/MYS 5480 (STAR)

TMX8 MY/MYS 5480 (STAR)  
**Jyoti:** TMC 350 (VDI40) (STAR)  
 TMX 200 (VDI40) (STAR)  
**KIA:** SKT 210 (STAR)  
 SKT 210 SY (DISC)  
**Kovosvit MAS:** KL 285 MC/Y (DISC)  
 SP 280 MC/Y (DISC)  
 SP 280 SMC/SY (STAR)  
**Leadwell:** LTC8T25MY VDI40 (STAR)  
 T85M (DISC), T85M (STAR)  
**MAG:** VDF 300T (STAR)  
**Magdeburger:** MV160 (DISC)  
**MC Machinery:** LT-400/520M (DISC)  
**Monforts:** DNC5 (STAR)  
 DNC500 (STAR)  
 Duo Turn (STAR)  
 MHC (STAR)  
 RNC400 Duo Turn (STAR)  
**Mori Seiki:** DuraTurn 510Eco (DISC)  
**NILES:** N30 (STAR)  
**PROMAX:** E 450/450 L (DISC)  
**Romi:** G30M 5480 (DISC)  
 G30M VDI40 (DISC)

**Saeilo:** Contur LT-400 MCMCY (STAR)  
**Sauter:** VDI40 5480 (DISC)/(STAR)  
**Scherer Feinbau:**  
 VDZ120 L Schaff40 (VERTICAL)  
 VDZ120 R Schaff40 (VERTICAL)  
**Schuster:** VD20, P30 (DISC)  
**Shandong Precision:**  
 CH-6145-2T (STAR)  
**TRENS:** SBL500 DIN5480 (DISC)  
 SBL700 (DISC)  
**Victor:** Vturn 23BCV (STAR)  
 Vturn 26/110CV (STAR)  
 Vturn 26/60CV (STAR)  
**Viper:** VT2300YMS (DISC)  
 VT2300YMS (STAR)  
**WFL:** M35/M35G (STAR)  
**WIA(KIA):** SKT 210 (STAR)  
 SKT 210 SY (DISC)  
 SKT 210 SY (STAR)  
 SKT 250 Y (STAR)  
 SKT 300 (STAR)

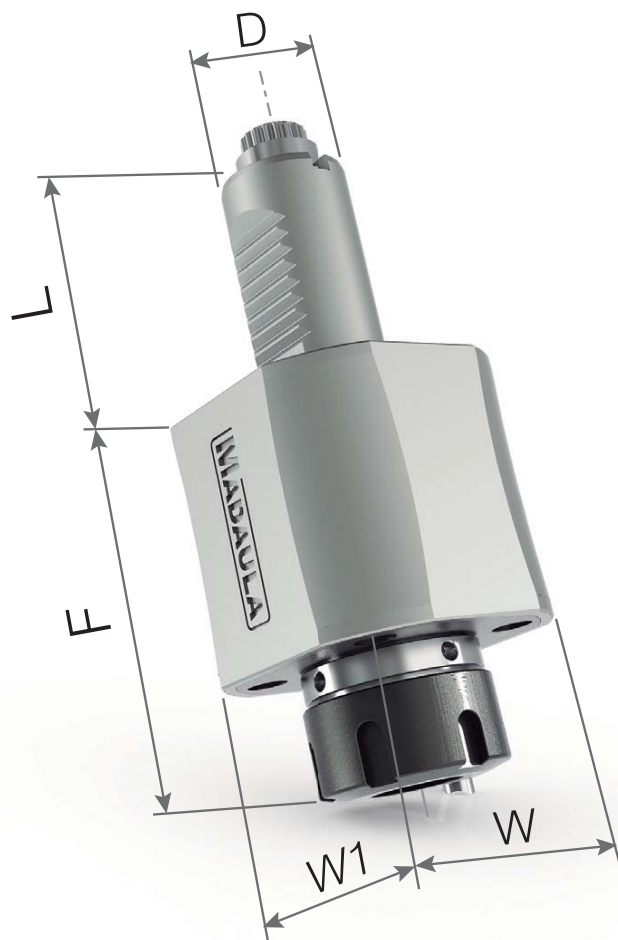
## VDI-50 Models






**DMG MORI / Gildemeister:**  
 CTV 400 linear (STAR)  
 CTX 600 linear (DISC)  
 CTX 620 linear (DISC),  
 CTX beta 2000 VDI50 (DISC)  
 CTX gamma 1250 VDI50 (DISC)  
 CTX gamma 1250 VDI50 (STAR)  
 CTX gamma 2000 VDI50 (DISC)

ecoTURN 650 (DISC)  
**Diplomatic:** VDI50 5480 (DISC)  
**EMCO:** Maxx turn 110 (DISC)  
**FMS:** NDM 40 (STAR)  
**Graziano:** CTX 620 (DISC)  
**HACO:** FCT700 (DISC)  
**Hessapp:** DVH450 left (VERTICAL)  
**Piftler:** PV 630 (STAR)

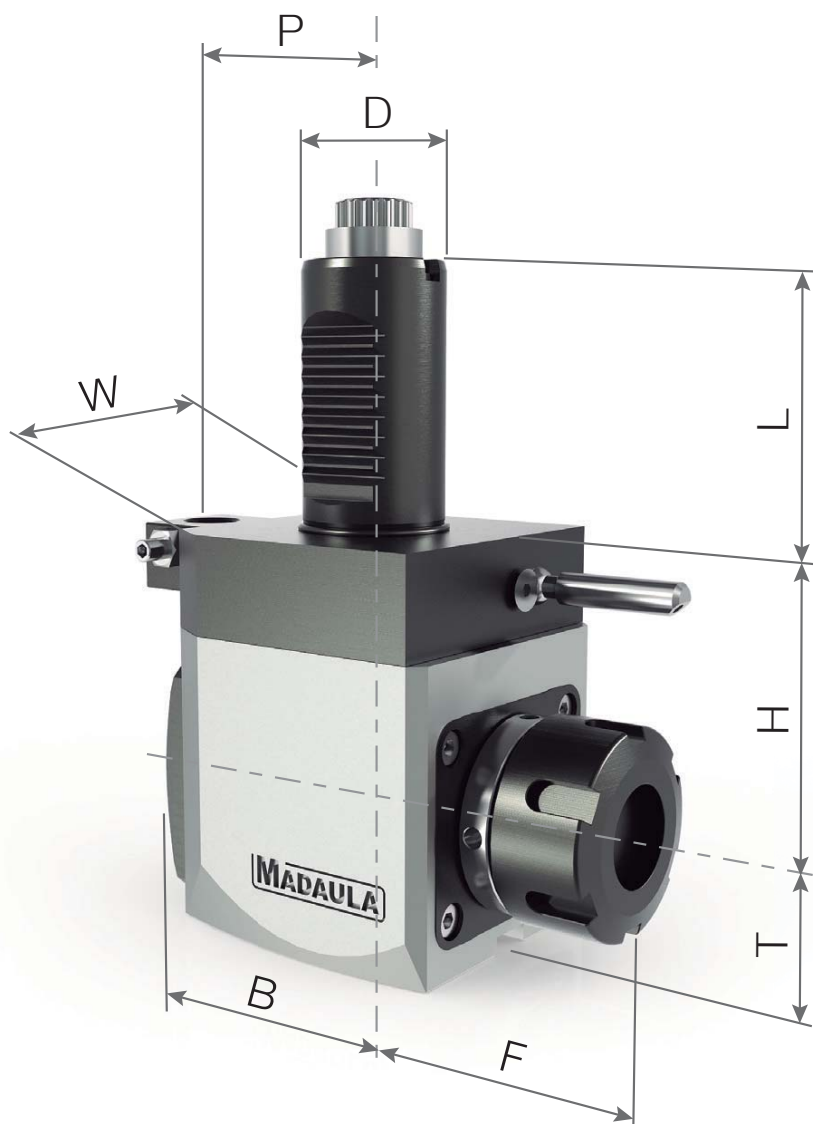
**Romi:** G30M VDI50 (DISC)  
 G50M (DISC)  
 Galaxy 50M (DISC)  
**Sauter:** VDI50 5480 (DISC)  
**Scherer Feinbau:** VDZ420 L (STAR, VERTICAL)  
 VDZ420 R (STAR, VERTICAL)  
**Victor:** V36 (DISC)  
 Vturn 36/40/45/46CV (DIN5480) (STAR) / Vturn V760CV (STAR)





Code	D mm		 RPM. Max.	 Nm. Max.			F mm	L mm	W mm	W1 mm
VDI-30	SA.000.3080	ER-25	6.000	1:1	28	-	90	55	64	68
	SA.005.3080	ER-25	6.000	1:1	28	20bar				
	SA.005.3080/HP	ER-25A	6.000	1:1	28	80bar	88.5		67	67
VDI-40	SA.000.4080-ER25	ER-25	6.000	1:1	50	-	106	63	80	86
	SA.000.4080-ER32	ER-32	6.000	1:1	50	-	109			
	SA.005.4080-ER25	ER-25	6.000	1:1	50	20bar	106			
	SA.005.4080-ER32	ER-32	6.000	1:1	50	20bar	109			
	SA.005.4080/HP-ER25	ER-25A	6.000	1:1	50	80bar	93.5		79	79
	SA.005.4080/HP-ER32	ER-32A	6.000	1:1	50	80bar				
VDI-50	SA.000.5080-ER32	ER-32	6.000	1:1	80	-	114	78	88	88
	SA.000.5080-ER40	ER-40	6.000	1:1	80	-	116			
	SA.005.5080-ER32	ER-32	6.000	1:1	80	20bar	114			
	SA.005.5080-ER40	ER-40	6.000	1:1	80	20bar	116			

\* The livetools can be equipped with Weldon shaft or shell-mill shaft upon request.



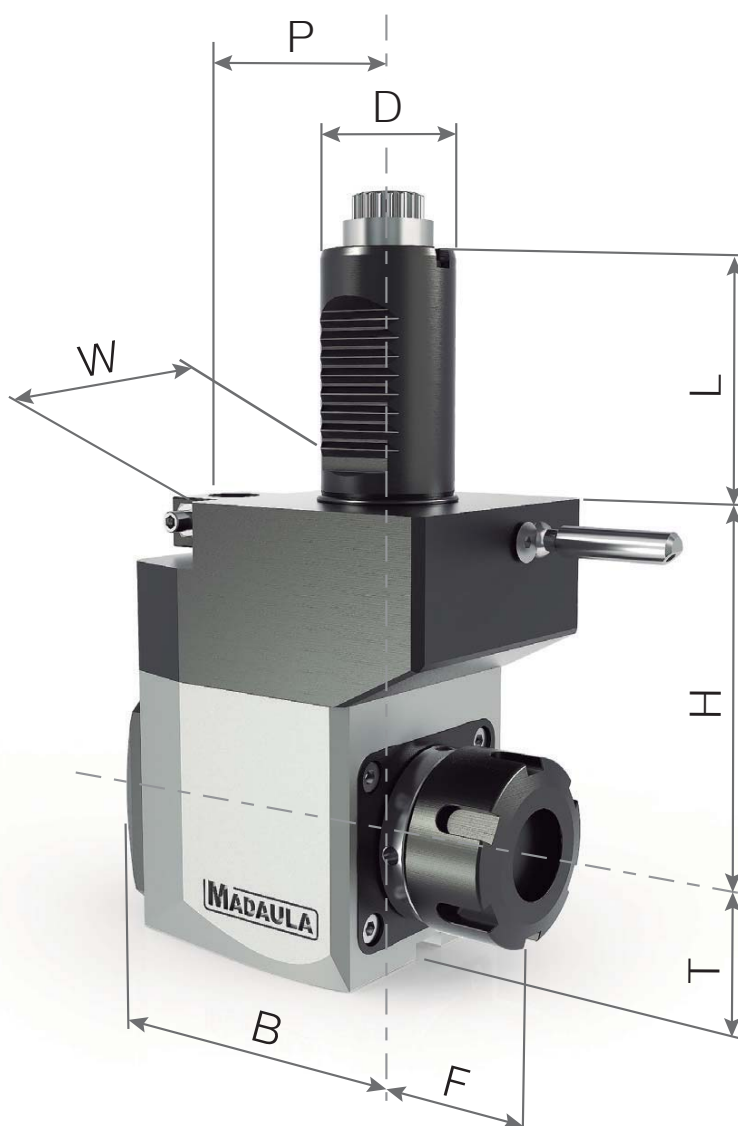
Code	D mm	ER-25	RPM. Max.	1:1	Nm. Max.	IC	H mm	B mm	F mm	L mm	P mm	T mm	W mm
SA.010.3080-H55	30	ER-25	6.000	1:1	28	-	55	48					
SA.010.3080-H85	30	ER-25	6.000	1:1	28	-	85						
SA.010.3080-H100	30	ER-25	6.000	1:1	28	-	100						
SA.016.3080-H55	30	ER-25	6.000	1:1	28	20bar	55	51	65	55	56	29	64
SA.016.3080-H85	30	ER-25	6.000	1:1	28	20bar	85						
SA.016.3080-H100	30	ER-25	6.000	1:1	28	20bar	100						
SA.016.3080/HP-H55	30	ER-25	6.000	1:1	28	80bar	55	61					
SA.016.3080/HP-H85	30	ER-25	6.000	1:1	28	80bar	85						
SA.016.3080/HP-H100	30	ER-25	6.000	1:1	28	80bar	100						

\* The livetools can be equipped with Weldon shaft or shell-mill shaft upon request.



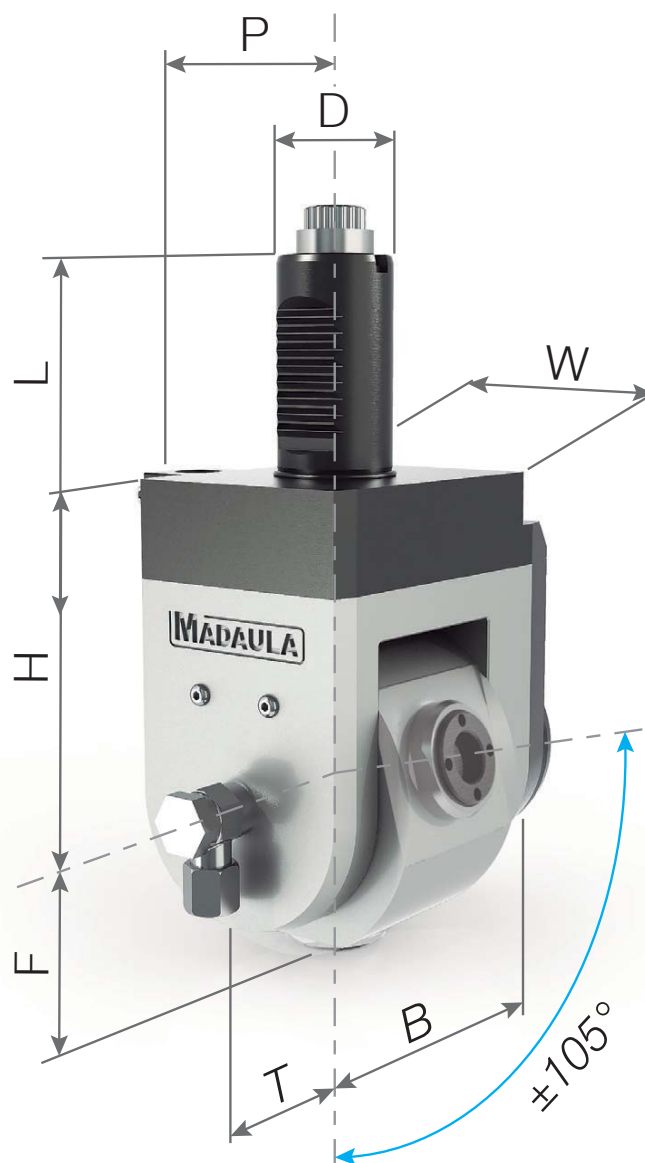
Code	D mm	ER	RPM. Max.	1:1	Nm. Max.	IC	H mm	B mm	F mm	L mm	P mm	T mm	W mm	
VDI-40	SA.010.4080-ER25-H80	40	ER-25	6.000	1:1	50	-	80	59	72				
	SA.010.4080-ER32-H80	40	ER-32	6.000	1:1	50	-							
	SA.010.4080-ER25-H100	40	ER-25	6.000	1:1	50	-							
	SA.010.4080-ER32-H100	40	ER-32	6.000	1:1	50	-							
	SA.016.4080-ER25-H80	40	ER-25	6.000	1:1	50	20bar	80	62	72	63	65	36	75
	SA.016.4080-ER32-H80	40	ER-32	6.000	1:1	50	20bar							
	SA.016.4080-ER25-H100	40	ER-25	6.000	1:1	50	20bar							
	SA.016.4080-ER32-H100	40	ER-32	6.000	1:1	50	20bar							
	SA.016.4080/HP-ER25-H80	40	ER-25	6.000	1:1	50	80bar	80	72	72				
	SA.016.4080/HP-ER32-H80	40	ER-32	6.000	1:1	50	80bar							
	SA.016.4080/HP-ER25-H100	40	ER-25	6.000	1:1	50	80bar							
	SA.016.4080/HP-ER32-H100	40	ER-32	6.000	1:1	50	80bar							
VDI-50	SA.010.5080-ER32	50	ER-32	6.000	1:1	80	-	110	64	117	78	73	42	88
	SA.010.5080-ER40	50	ER-40	6.000	1:1	80	-							
	SA.016.5080-ER32	50	ER-32	6.000	1:1	80	20bar							
	SA.016.5080-ER40	50	ER-40	6.000	1:1	80	20bar							
	SA.016.5080/HP-ER32	50	ER-32	6.000	1:1	80	80bar		75	119				
	SA.016.5080/HP-ER40	50	ER-40	6.000	1:1	80	80bar							

\* The livetools can be equipped with Weldon shaft or shell-mill shaft upon request.



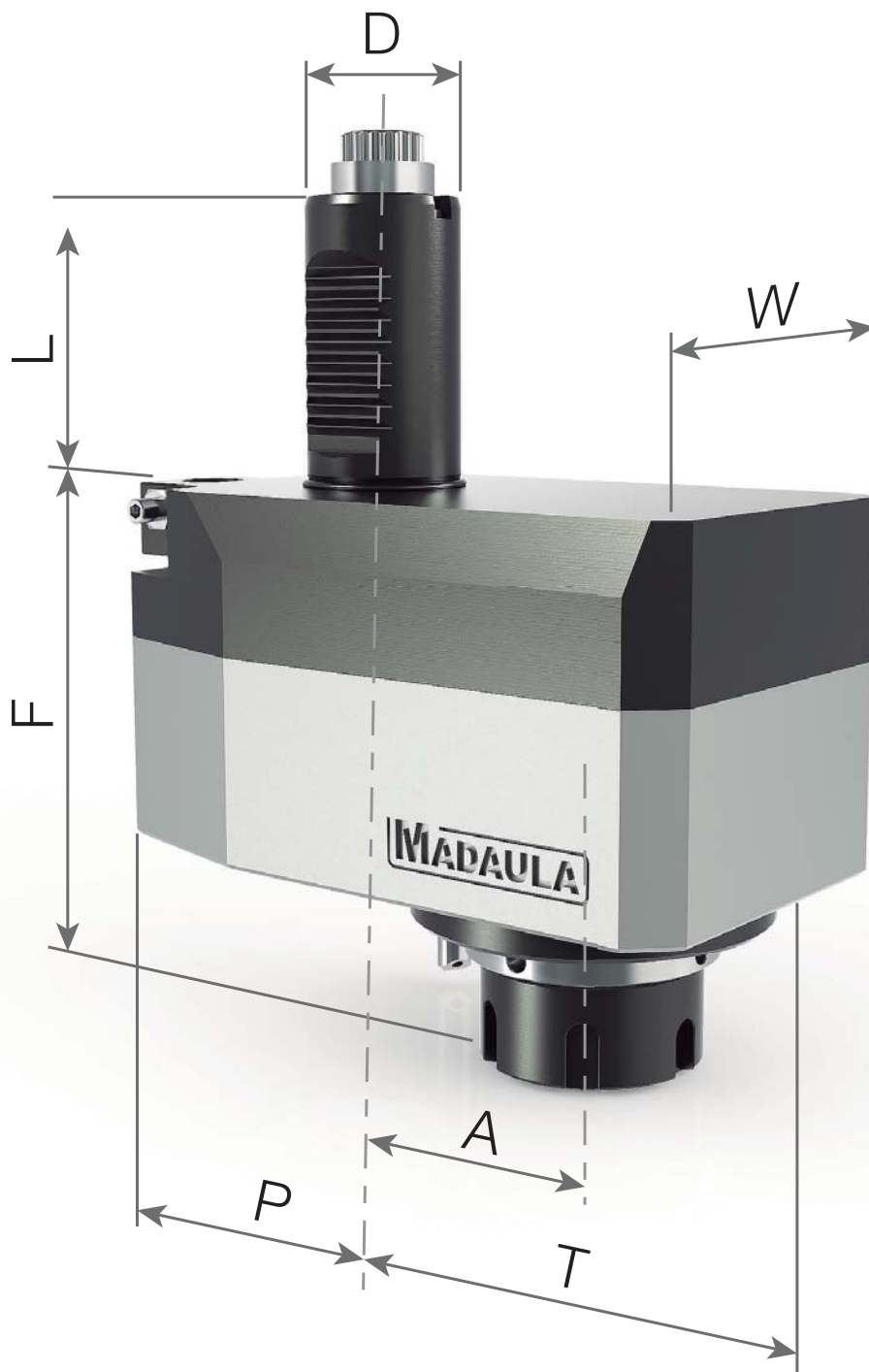
Code	D mm	ER	RPM. Max.	1:1	Nm. Max.	IC	H mm	B mm	F mm	L mm	P mm	T mm	W mm	
<b>VDI-30</b>	SA.011.3080	30	ER-25	6.000	1:1	28	-	75	71	42	55	56	29	64
	SA.017.3080	30	ER-25	6.000	1:1	28	20bar		74					
	SA.017.3080/HP	30	ER-25	6.000	1:1	28	80bar		84					
<b>VDI-40</b>	SA.011.4080-ER25	40	ER-25	6.000	1:1	50	-	120	92	63	65	36	75	
	SA.011.4080-ER32	40	ER-32	6.000	1:1	50	-		42					
	SA.017.4080-ER25	40	ER-25	6.000	1:1	50	20bar		39					
	SA.017.4080-ER32	40	ER-32	6.000	1:1	50	20bar		42					
	SA.017.4080/HP-ER25	40	ER-25	6.000	1:1	50	80bar		39					
	SA.017.4080/HP-ER32	40	ER-32	6.000	1:1	50	80bar		42					





\* The livetools can be equipped with Weldon shaft or shell-mill shaft upon request.



Code	D mm	ER	RPM. Max.	Nm. Max.		IC	H mm	B mm	F mm	L mm	P mm	T mm	W mm	
VDI-30	SA.021.3080-ER16	30	ER-16A	6.000	1:1	16	-	86	59	45	55	56	40	64
	SA.021.3080-ER25	30	ER-25	6.000	1:1	16	-			65				
	SA.022.3080-ER16	30	ER-16A	6.000	1:1	16	20bar			45				
	SA.022.3080-ER25	30	ER-25	6.000	1:1	16	20bar			65				
VDI-40	SA.021.4080	40	ER-25	6.000	1:1	16	-	86	59	65	63	65	40	78
	SA.022.4080	40	ER-25	6.000	1:1	16	20bar			65				
VDI-50	SA.021.5080	50	ER-25	6.000	1:1	16	-	86	59	65	78	73	44	94
	SA.022.5080	50	ER-25	6.000	1:1	16	20bar							

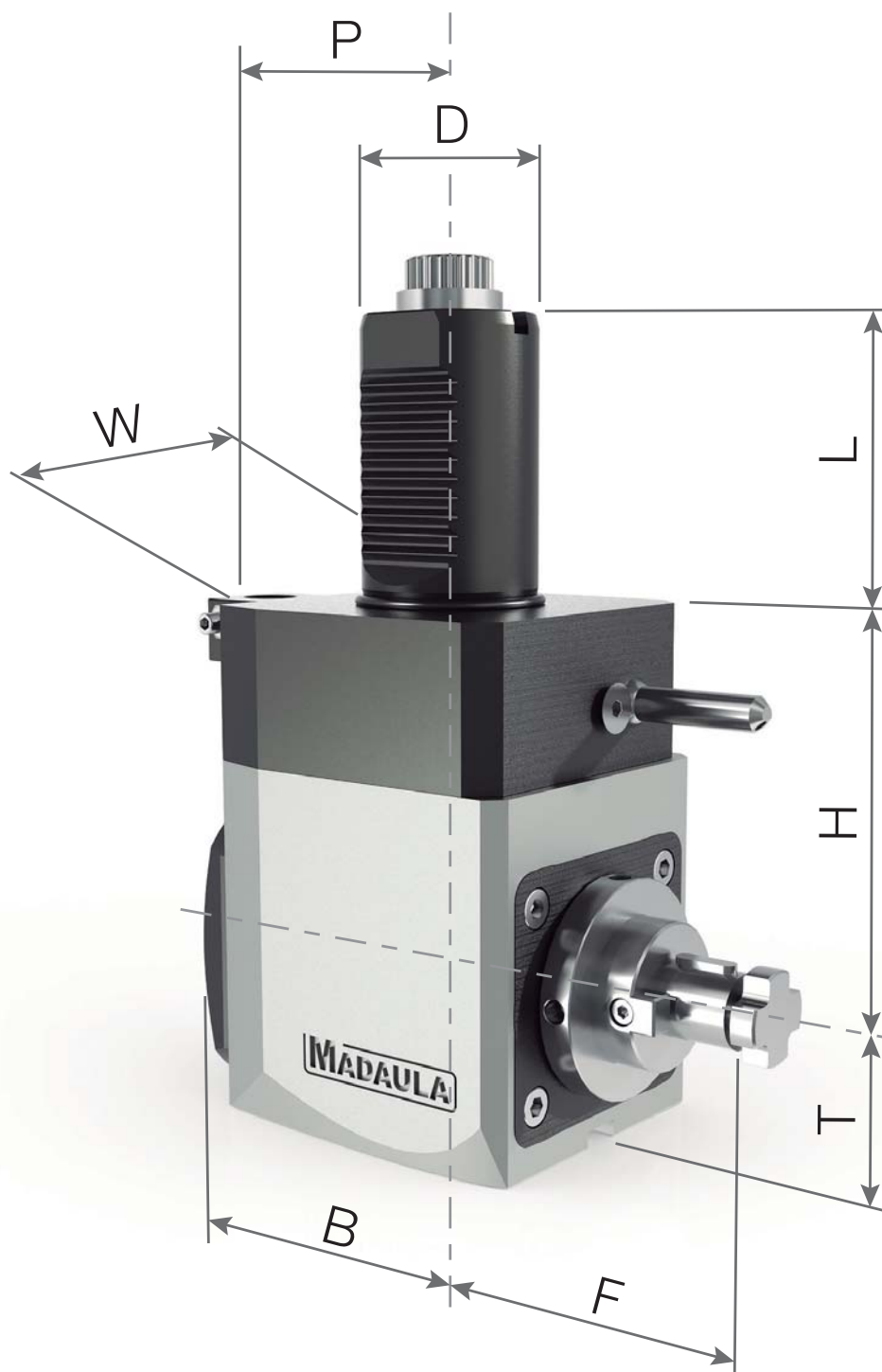
\* The livetools can be equipped with Weldon shaft or shell-mill shaft upon request.








Code	D mm		 RPM. Max.	 Nm. Max.		A mm	F mm	L mm	P mm	T mm	W mm		
VDI-30	SA.026.3080	30	ER-25	12.000	1:2	14	-	50	106	55	56	90	78
	SA.027.3080	30	ER-25	3.000	2:1	40	-	50	106	55	56	90	78

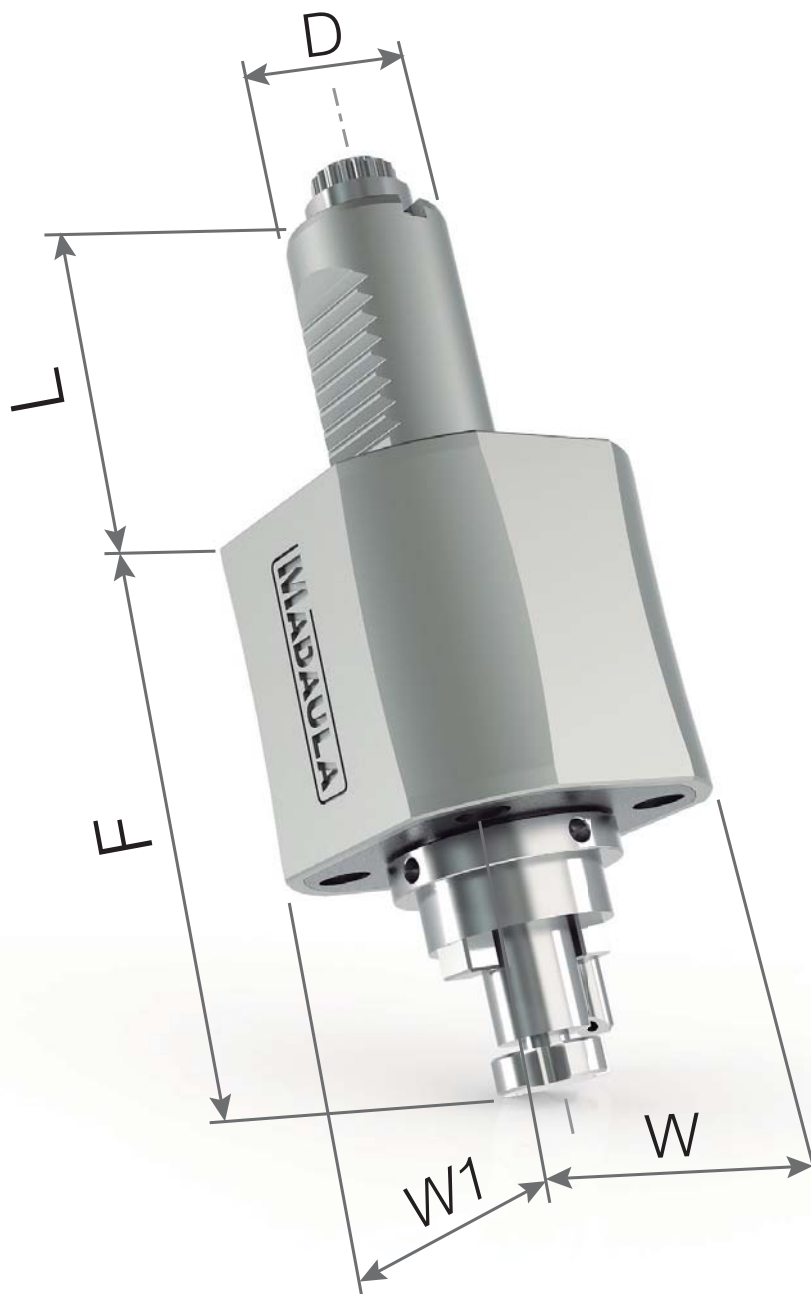
\* The livetools can be equipped with Weldon shaft or shell-mill shaft upon request.










Code	D mm		 RPM.Max.	 1:1	 Nm.Max.		H mm	B mm	F mm	L mm	P mm	T mm	W mm	
VDI-40	SA.037.4080-16	40	Ø16	6.000	1:1	50	-	80	59	76.5	63	65	36	75
	SA.037.4080-22	40	Ø22	6.000	1:1	50	-		72	82.5				

\* The livetools can be equipped with Weldon shaft or shell-mill shaft upon request.



Code	D mm		 RPM. Max.	 1:1	 Nm. Max.		F mm	L mm	W mm	W1 mm
<b>VDI-30</b> SA.038.3080	30	Ø16	6.000	1:1	28	-	93.5	55	64	68
<b>VDI-40</b>	SA.038.4080-16	Ø16	6.000	1:1	50	-	112.5	64	80	86
	SA.038.4080-22	Ø22	6.000	1:1	50	-	115.5			

\* The livetools can be equipped with Weldon shaft or shell-mill shaft upon request.

## VDI-30 Models

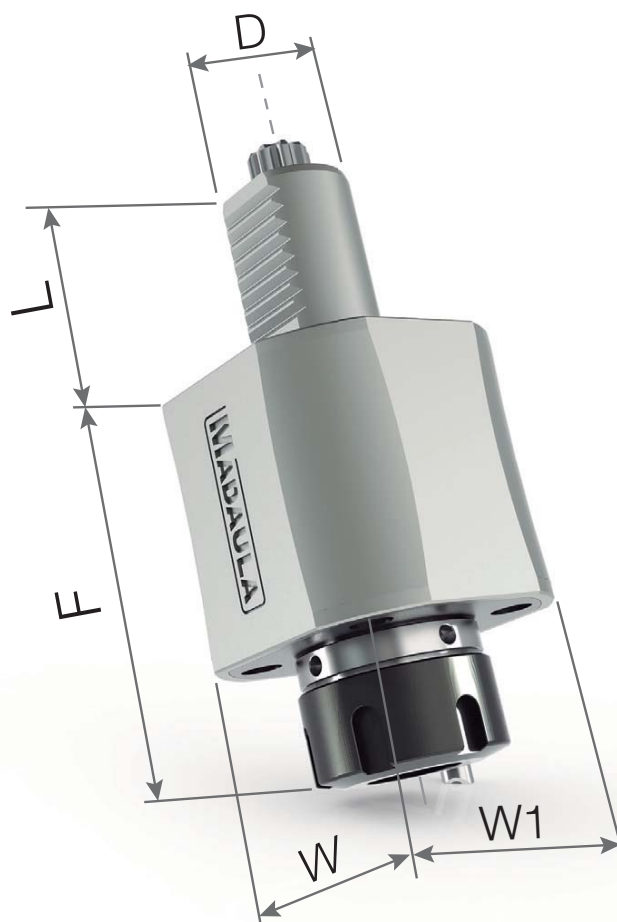
**Angelini:** SNUPY SAUTERREVOLER (DISC)  
**Colchester:** T6M (DISC), TORNADO 120M (DISC)  
**DMG MORI / Gildemeister:**  
 CTX 310 5482 OLD (DISC)  
 CTX 310 ECO 5482 (DISC)  
 CTX 400 SERIE 2 (DISC)  
 CTX 400E V1-V3 (DISC)  
**Graziano:** GR350C (DISC)  
 GT400 (DISC)  
**Hardinge:** TALENT VDI30 OLD (DISC)  
**Kern:** CD402 VDI30 (DISC)  
 DMT VDI30 (DISC)  
 KDS300 (DISC)  
**Monarch:** PREDATOR (DISC)  
**Monforts:** RNC2 (DISC)  
 RNC200 (DISC)  
 RNC3 (DISC)  
 RNC300 (DISC)  
**Sauter:** VDI30 5482 (DISC)  
**Schuster:** VTM350 (DISC)  
**Traub:** TNA 300 (DISC)  
 TNE 300 (DISC)  
 TNE 400 (DISC)  
**TRENS:** SBL300 (DISC)  
**Victor:** VTURN 20CV (DISC)  
**Voest:** WNC300 (DISC)  
**Weiler:** DZ45 VDI30 (DISC)  
**WFL:** WNC300 (DISC)  
 CTX alpha 300 (DISC)






## VDI-50 Models

**Avia:** AVIATURN 63M (DISC)  
**Contur:** HSL700 (DISC)  
**DMG MORI / Gildemeister:**  
 CLX 750 V1/V3/V4 (DISC)  
 CTX 600 (DISC)  
 GT 700 (DISC)  
**Graziano:** CTX 700 (DISC)  
**Hessapp:** DVH450 RIGHT (STAR, VERTICAL)  
 DVT630 5482 (STAR)  
**Heyligenstaedt:** HEYNUMAT 15 (DISC)  
**Magdeburger:** M400 SCHAFT50 (DISC), M500 (DISC)  
**Maho Graziano:** GR500 VDI50 (DISC)  
 MT600 (DISC)  
**Monforts:** RNC600 (DISC)  
 RNC700 MNC 1000 (DISC)  
**Niles:** N30 VDI50 (DISC)  
**Saeilo:** CONTUR HSL-700 (DISC)  
**Sauter:** VDI50 5482 (DISC)  
**Voest:** WNC500 (DISC)  
**WFL:** WNC500 (DISC)

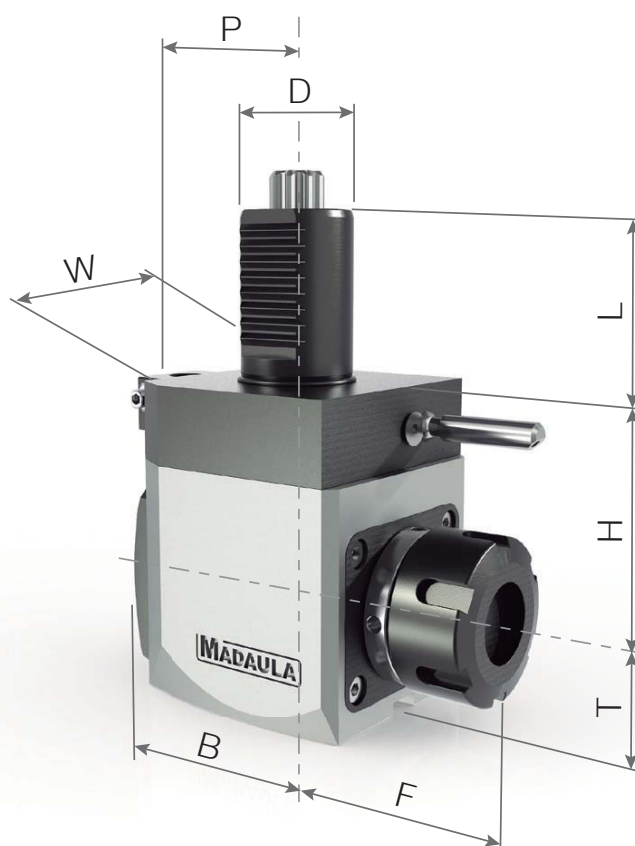
## VDI-40 Models






**Angelini:** BRAVO (DISC)  
 DG13 CNC (DISC)  
**Boehringer:** DUS 560 (DISC)  
**Campro:** CPL20MC (DISC)  
**Colchester:** T8M (DISC)  
 TORNADO 220M (DISC)  
 TSL500 (DISC)  
**Contur:** TSL500 (DISC)  
**DMG MORI / Gildemeister:**  
 CTX 400 SCHAFT 40 (DISC)  
 CTX 500 (DISC)  
 CTX 510 ECO 5482 (DISC)  
 CTX 600 SCHAFT 40 (DISC)  
 MD5IT (DISC)  
**DMTG ingersoll:** I40 (DISC)  
**Doosan:** S390LM (DISC)  
**FAT:** TUR 560/630/630 A MN (DISC)  
**Heyligenstaedt:** HEYNUMAT 5 (DISC)  
**Hyundai WIA:** L 150, 210 LMA/LMSA (DISC)  
 SKT 15, 21LM (DISC)  
**Kern:** CD402 VDI40 (DISC)  
 CD650 (DISC)  
 DMT VDI40 (DISC)  
**KIA:** SKT 15 LM/LMS (DISC)  
 SKT 21 LM/LMS (DISC)  
**Magdeburger:** M300 (DISC)  
**Monforts:** RNC4 (DISC)  
 RNC400 (DISC)  
 RNC5 (DISC)  
 RNC500 (DISC)  
**Saeilo:** CONTUR TSL-500 (DISC)  
**Sauter:** VDI40 5482 (DISC)  
**Traub:** TNA 400 (DISC)  
**TRENS:** SBL500 DIN5482 (DISC)  
**Victor:** VTURN-V560CV (DISC)  
**Voest:** WNC300 VDI40 (DISC)  
 WNC400 (DISC)  
**WFL:** WNC300 VDI40 (DISC)  
 WNC400 (DISC)  
**WIA(KIA):** L150 LMA/LMAS (DISC)  
 L210 LMA/LMAS (DISC)  
 SKT 15 LMS (DISC)  
 SKT 21 LMS (DISC)



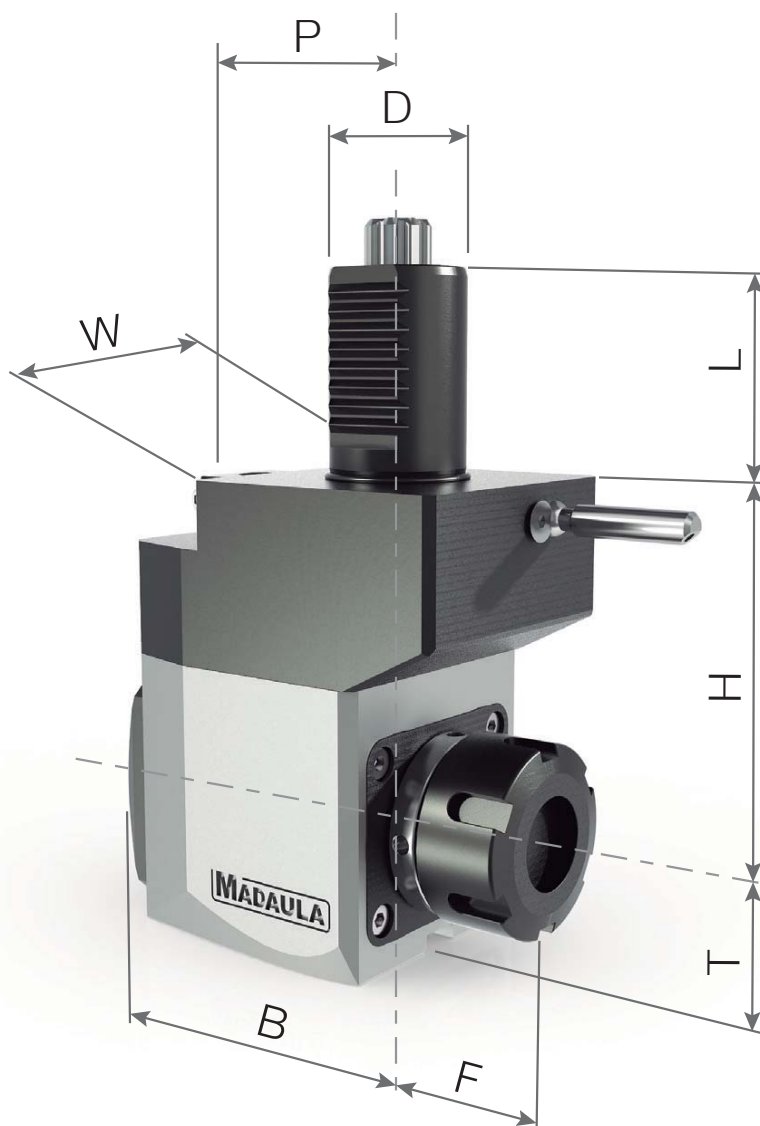
Code	D mm		 RPM. Max.	 Nm. Max.			F mm	L mm	W mm	W1 mm
VDI-30	SA.000.3082	ER-25	6.000	1:1	28	-	90	45	64	68
	SA.005.3082	ER-25	6.000	1:1	28	20bar				
	SA.005.3082/HP	ER-25A	6.000	1:1	28	80bar	88.5		67	67
VDI-40	SA.000.4082-ER25	ER-25	6.000	1:1	50	-	106	53	80	86
	SA.000.4082-ER32	ER-32	6.000	1:1	50	-	109			
	SA.005.4082-ER25	ER-25	6.000	1:1	50	20bar	106			
	SA.005.4082-ER32	ER-32	6.000	1:1	50	20bar	109			
	SA.005.4082/HP-ER25	ER-25A	6.000	1:1	50	80bar	93.5		79	79
	SA.005.4082/HP-ER32	ER-32A	6.000	1:1	50	80bar				
VDI-50	SA.000.5082-ER32	ER-32	6.000	1:1	50	-	114	71	88	88
	SA.000.5082-ER40	ER-40	6.000	1:1	50	-	116			
	SA.005.5082-ER32	ER-32	6.000	1:1	50	20bar	114			
	SA.005.5082-ER40	ER-40	6.000	1:1	50	20bar	116			





\* The livetools can be equipped with Weldon shaft or shell-mill shaft upon request.



Code	D mm		 RPM. Max.	 1:1	 Nm. Max.		H mm	B mm	F mm	L mm	P mm	T mm	W mm	
VDI-30	SA.010.3082	30	ER-25	6.000	1:1	28	-	55	48	65	45	48	29	64
	SA.016.3082	30	ER-25	6.000	1:1	28	20bar		51					
	SA.016.3082/HP	30	ER-25	6.000	1:1	28	80bar		61					
VDI-40	SA.010.4082-ER25	40	ER-25	6.000	1:1	50	-	80	59	72	53	71	36	75
	SA.010.4082-ER32	40	ER-32	6.000	1:1	50	-		62					
	SA.016.4082-ER25	40	ER-25	6.000	1:1	50	20bar		72					
	SA.016.4082-ER32	40	ER-32	6.000	1:1	50	20bar							
	SA.016.4082/HP-ER25	40	ER-25	6.000	1:1	50	80bar		72					
	SA.016.4082/HP-ER32	40	ER-32	6.000	1:1	50	80bar							
VDI-50	SA.010.5082-ER32	50	ER-32	6.000	1:1	80	-	110	64	71	83	42	88	
	SA.010.5082-ER40	50	ER-40	6.000	1:1	80	-		117					
	SA.016.5082-ER32	50	ER-32	6.000	1:1	80	20bar		117					
	SA.016.5082-ER40	50	ER-40	6.000	1:1	80	20bar		119					
	SA.016.5082-ER32	50	ER-32	6.000	1:1	80	80bar		117					
	SA.016.5082-ER40	50	ER-40	6.000	1:1	80	80bar		119					

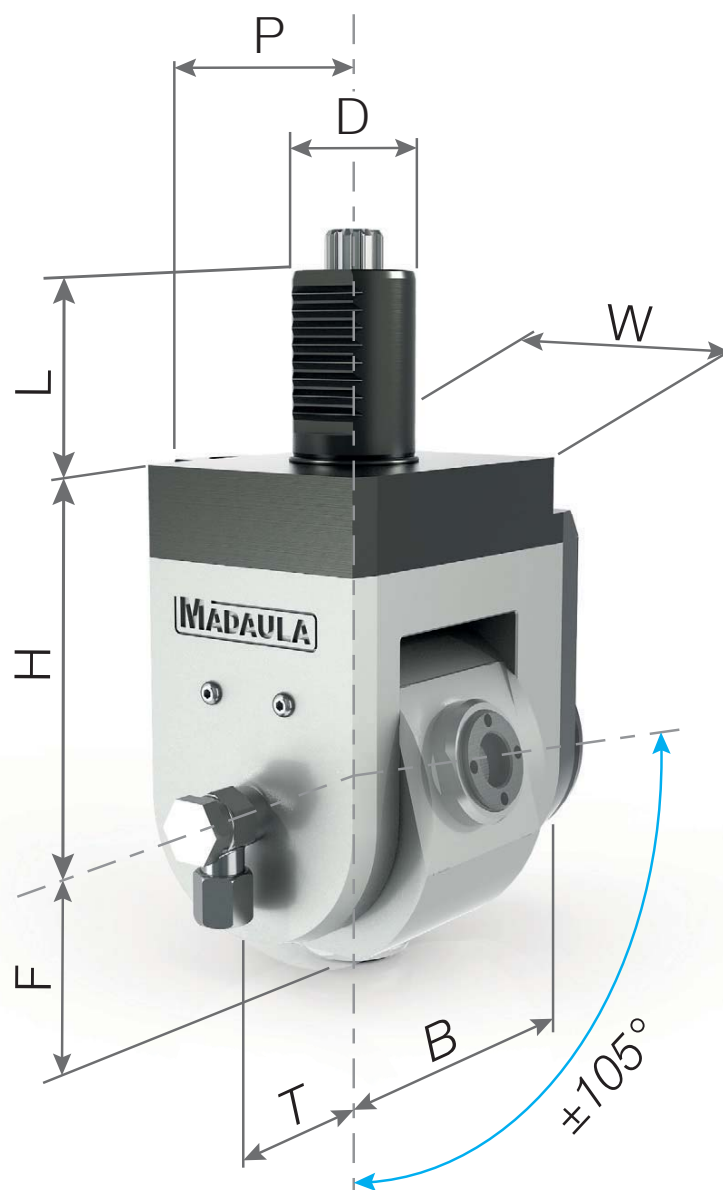
\* The livetools can be equipped with Weldon shaft or shell-mill shaft upon request.



Code	D mm		 RPM. Max.	 Nm. Max.		H mm	B mm	F mm	L mm	P mm	T mm	W mm		
<b>VDI-30</b>	SA.011.3082	30	ER-25	6.000	1:1	28	-	71	45	48	29	64		
	SA.017.3082	30	ER-25	6.000	1:1	28	20bar	75					74	
	SA.017.3082/HP	30	ER-25	6.000	1:1	28	80bar	84						
<b>VDI-40</b>	SA.011.4082-ER25	40	ER-25	6.000	1:1	50	-	120	53	71	36	75		
	SA.011.4082-ER32	40	ER-32	6.000	1:1	50	-						92	42
	SA.017.4082-ER25	40	ER-25	6.000	1:1	50	20bar						95	39
	SA.017.4082-ER32	40	ER-32	6.000	1:1	50	20bar						42	
	SA.017.4082/HP-ER25	40	ER-25	6.000	1:1	50	80bar						105	39
	SA.017.4082/HP-ER32	40	ER-32	6.000	1:1	50	80bar							42

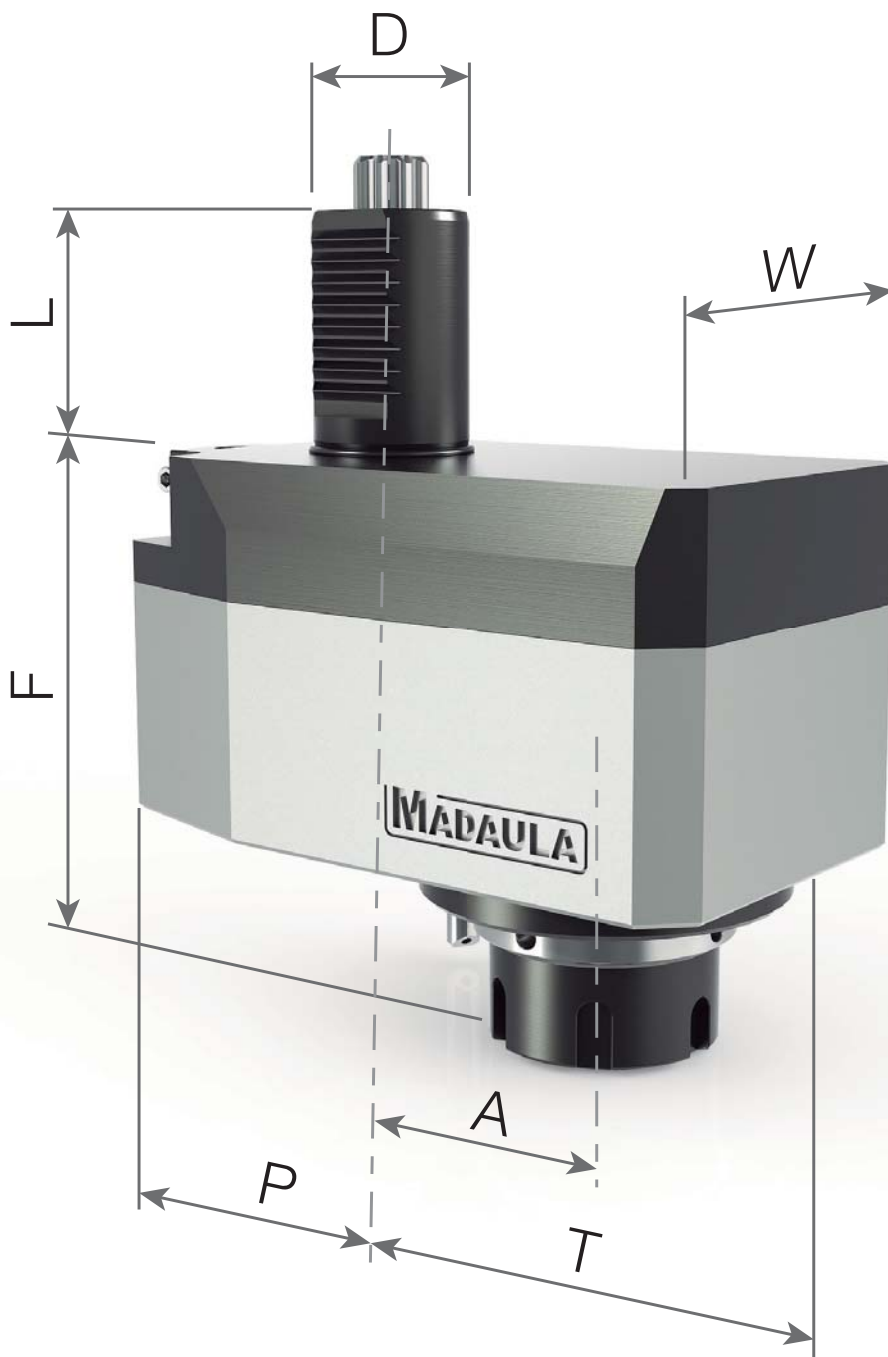
\* The livetools can be equipped with Weldon shaft or shell-mill shaft upon request.









Code	D mm	ER	RPM. Max.	Nm. Max.			H mm	B mm	F mm	L mm	P mm	T mm	W mm	
VDI-30	SA.021.3082-ER16	30	ER-16A	6.000	1:1	16	-	86	59	45	45	48	40	64
	SA.021.3082-ER25	30	ER-25	6.000	1:1	16	-			65				
	SA.022.3082-ER16	30	ER-16A	6.000	1:1	16	20bar			45				
	SA.022.3082-ER25	30	ER-25	6.000	1:1	16	20bar			65				
VDI-40	SA.021.4080	40	ER-25	6.000	1:1	16	-	86	59	65	53	71	40	78
	SA.022.4080	40	ER-25	6.000	1:1	16	20bar			65				
VDI-50	SA.021.5080	50	ER-25	6.000	1:1	16	-	86	59	65	72	83	44	94
	SA.022.5080	50	ER-25	6.000	1:1	16	20bar			65				

\* The livetools can be equipped with Weldon shaft or shell-mill shaft upon request.



Code	D mm		 RPM. Max.	 Nm. Max.		A mm	F mm	L mm	P mm	T mm	W mm		
<b>VDI-30</b>	SA.026.3082	30	ER-25	12.000	1:2	14	-	50	108	45	48	90	78
	SA.027.3082	30	ER-25	3.000	2:1	40	-	50	108	45	48	90	78

\* The livetools can be equipped with Weldon shaft or shell-mill shaft upon request.

# Static Toolholders

Code	Description	VDI Ø mm	Tool Grip Dimension (mm)	Height mm	IC	Image
ST.025.40-BP	Bar Puller	40	6-56 / 56-110	110	-	
ST.025.40-B4	Angular Holder LH Short	40	20 / 25	-	-	
ST.025.40-ID40	Boring Bar Holder	40	10	-	80bar	

# Quality procedures

## Progressive increasing to full speed

temperature, speed, noise, leakage and vibration control.

Accélération progressive jusqu'à la vitesse maximale, contrôle de température, vitesse, bruit, fuites et vibrations.

Progressivo aumento a tuta velocità: Controllo di temperatura, velocità, rumorosità, perdite e vibrazioni.

## 100% Tested: main dimensional control

with Coordinate Measuring Machine for all products.

Contrôle des principales dimensions avec machine à mesurer CNC.

Controllo dimensione su tutti i prodotti con macchina per misure a coordinate.

## Quality certificate

on delivery.

Livraison du certificat de qualité.

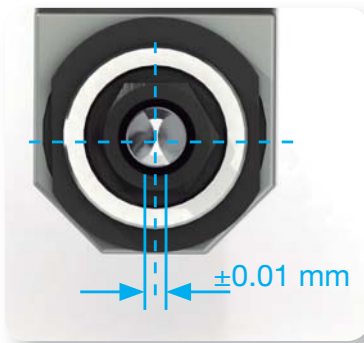
Certificato di qualità sulla consegna.



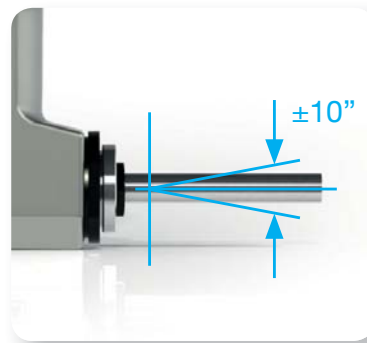
Certificate ISO 9001: 2015 since 1999  
 Certificat ISO 9001: 2015 depuis le 1999  
 Zertifikat ISO 9001: 2015 seit 1999

# Precision

Maximum misalignment



Angle tolerance



Max. runout inside the spindle



0,005 mm

# Global services



Specialized technical assistance team with extensive experience at your disposal.

Une équipe spécialisée en assistance technique et avec une vaste expérience est mis à votre disposition.

Servizio de assistenza tecnica con team specializzato con una vasta esperienza a vostra disposizione.

# Repair service

We are proud of offering to our customers a repair service for all their products, no matter how old they are.

All products of our fabrication range can be repaired, even if they have not been originally manufactured by Madaula.

Nous assurons pour nos clients un service réparation pour tous nos produits de notre marque ou de nos concurrents et de toutes générations.

Touts les produits de notre gamme de production peuvent être réparés, même s'ils n'ont pas de notre fabrication.

Siamo orgogliosi di offrire ai nostri clienti un servizio di riparazione per tutti i prodotti, anche per i più datati. Tutti i prodotti della nostra gamma possono essere riparati, anche se non di nostra produzione.



# Special products

Design and production according to the customer specifications.

More than 8000 specials designed and manufactured as per our customer's requirements.

Conception et fabrication selon les spécifications des clients. Plus de 8000 types spéciaux fabriqués.

Progettazione e produzione secondo le specifiche del cliente. Più di 8000 offerte speciali progettate su misura.



P.000  
Axial



P.001  
Axial offset



P.002  
Axial speeder



P.003  
Axial reducer



P.005  
Axial  
internal coolant



P.006  
Axial offset  
internal coolant



P.008  
Radial double output



P.010  
Radial



P.011  
Radial set-back



P.012  
Radial fixed angle



P.013  
Radial speeder



P.014  
Radial reducer



P.016  
Radial  
internal coolant



P.017  
Radial set-back  
internal coolant



P.018  
Radial speeder  
internal coolant



P.019  
Radial reducer  
internal coolant



P.021  
Radial  
adjustable



P.022  
Radial adjustable  
internal coolant



P.023  
Axial multiple  
outputs



P.025  
Static



P.026  
Axial offset  
speeder



P.027  
Axial offset  
reducer



P.029  
Radial multiple  
outputs



P.030  
Saw-mill



P.031  
Axial offset  
double output



P.034  
Polygon marker



P.035  
Thread whirling



P.036  
Gear hobbing



P.038  
Axial saw-mill



P.040  
Work inside  
tubes



P.051  
Radial Y Axis

# Wide range of solutions



Heads & accessories



Angle heads



Multispindle heads



Live tooling for swiss type lathes



Spindle speeders



High frequency spindles