

THE WORLD'S LEADING CAD/CAM SOFTWARE COMPANY

That's what we do. That's all we do.



Mastercam®

POWERED BY MASTERCAM'S
DYNAMIC MOTION™ TECHNOLOGY



MILL

LATHE

MILL-TURN

SWISS

WIRE

ROUTER

MASTERCAM for
SOLIDWORKS®

DESIGN



DYNAMIC..... 2

MILL..... 4

LATHE..... 8

MILL-TURN..... 10

SWISS..... 12

WIRE..... 14

ROUTER..... 16

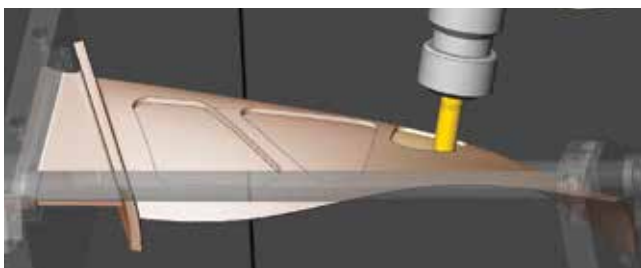
MASTERCAM for SOLIDWORKS®..... 18

DESIGN..... 22

ADD-ONS..... 24



Mastercam's sleek interface and crisp graphics are the first things you will notice. But it's the streamlined workflow and Dynamic Motion efficiencies that will make the biggest impact on your work environment and profitability.



ON THE COVER: CAD assembly of a turbfan engine. Each individual blade starts as a billet core and weight is reduced with multiaxis machining.

Mastercam®

Be Dynamic.

DYNAMIC BY DESIGN

Because CAD/CAM is our **only** focus.

○ Steady leadership and direction.

Our founding partners still own the company and provide ongoing stability and focus. Mastercam's stability as a company means that our resources go into all the right places — product innovation and customer support.

For thirty years Mastercam has proudly maintained a dedicated educational team. No other CAD/CAM company can say that. We believe inspiring and educating the next generation of manufacturers is critical to the future prosperity of all of us.

○ A clear focus on CAM.

For three decades, our software has been rigorously shop-tested and proven in real-world environments. With a fully-functioning, contemporary machine shop in our corporate headquarters, we are constantly testing our toolpaths, and our engineers are continually seeking newer, safer, more efficient ways to help your company be profitable.

Mastercam's Dynamic Motion technology is just one example of cutting-edge efficiencies built into our software — at no extra cost to you.

○ Only Mastercam is truly workforce ready.

Manufacturing is alive and well, but it can be tough to fill critical job openings. For the better part of thirty years, Mastercam has been the market leader in both education and industry. With the most active users of any CAM developer in the world, there are more machinists trained on Mastercam than any other CAD/CAM software. A larger workforce makes hiring easier and means less training. That adds up to a competitive advantage for you.



(L-R) Mark Summers, Chairman; Meghan Summers-West, President; and Brian Summers, Vice President.

○ Mastercam is committed to your success.

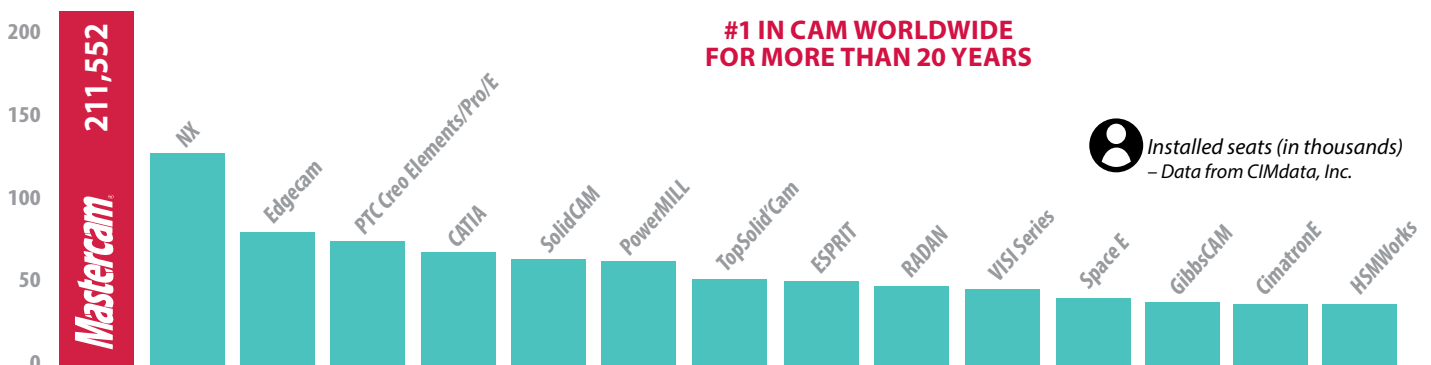
The largest and most knowledgeable support network in the industry backs Mastercam. Our Resellers have an average of twenty years' experience.

You can choose on-site training or take advantage of Mastercam University, 24/7 from any place with an internet connection.

Our partners offer highly-specialized options as well as supplemental training resources. Our extensive online community includes a Mastercam User's Forum.

At Mastercam, we are dedicated to being the best CAD/CAM software company in the world. Being the best means excellent support, product innovation, fair pricing, and continuous improvement through multi-channel customer feedback.

We support manufacturing. That's all we do. And we love it.



WHAT IS DYNAMIC MOTION?



Dynamic Motion is more efficient.

Dynamic toolpaths calculate more than just the simple motion of the tool. They also use a proprietary set of rules to analyze tool engagement and the material removal, constantly changing the cut motion based on the stock at that moment. The results include radically shorter cycle times, longer tool life, and maximum material removal rates.



Dynamic Motion is faster.

Dynamic Motion toolpaths maximize safe engagement and can reduce cycle times by 25 to 75 percent. Dynamic Motion toolpaths can use full-depth cutting, meaning far fewer step downs. And this means you can cut more parts in less time.

Dynamic Motion extends the life of tools and machines.

Dynamic Motion produces a consistent chip load, reducing vibration and pulling heat away from the part and tool, and into the chip where it belongs. It's better for your tools, your finished parts, and reduces wear on your machine.



Dynamic Motion makes easy work of cutting hard materials.

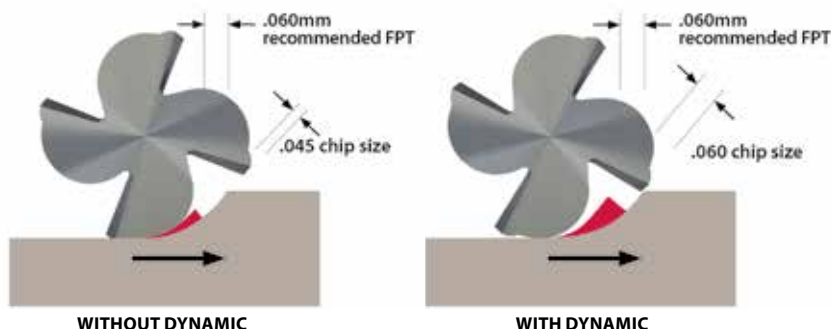
Roughing difficult materials can pose a challenge for many shops. Mastercam's Dynamic Motion toolpaths make it significantly easier by ensuring an even chip load throughout the cut. This distributes heat more efficiently, prevents material surface hardening, and reduces the risk of tool breakage, giving you more consistent, predictable results every time.



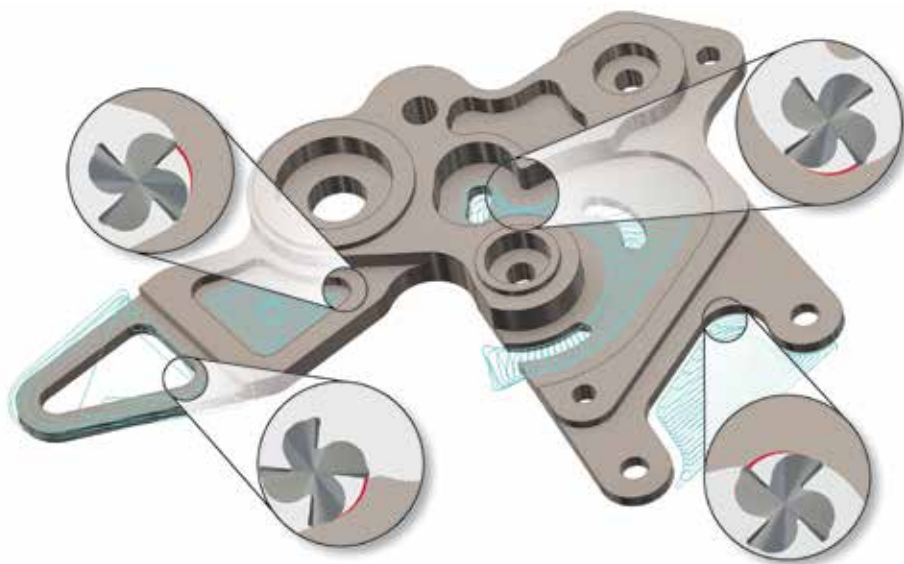
MASTERCAM'S DYNAMIC MOTION TECHNOLOGY IS A GAME-CHANGER.

The secret is in the chips.

A consistent chip load is crucial to an efficient cut. Mastercam's Dynamic toolpaths calculate the precise peak efficiency of the tool, material, and speed. When you get it right, heat is taken away in the chips, keeping the tool and part cool to the touch. You see it in uniform chip size. You hear it in how the machine runs. You'll appreciate it in dramatically shorter run times, fewer tool replacements, and a much cooler bottom line.



The magic of Dynamic toolpaths is driven by the recommended chip load for the tool, the optimum feed rate, and recommended surface speed.

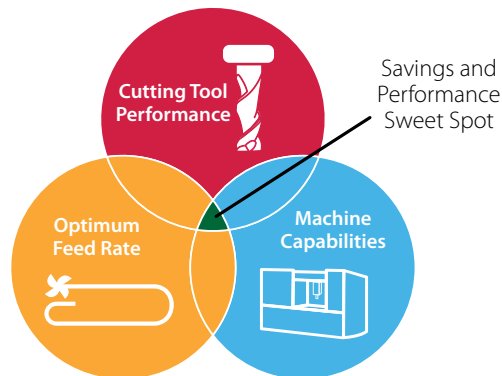


Optimum cutting on any geometry.

Dynamic Motion maintains conditions across the entire cut by calculating optimum feed rate for a given material, tool, and tool diameter. You will see that chip size never varies. You will hear the difference, too. No chirping, squealing, or chatter. Just fast, consistent, and safe Dynamic Motion.

Multiplied efficiency means multiplied savings.

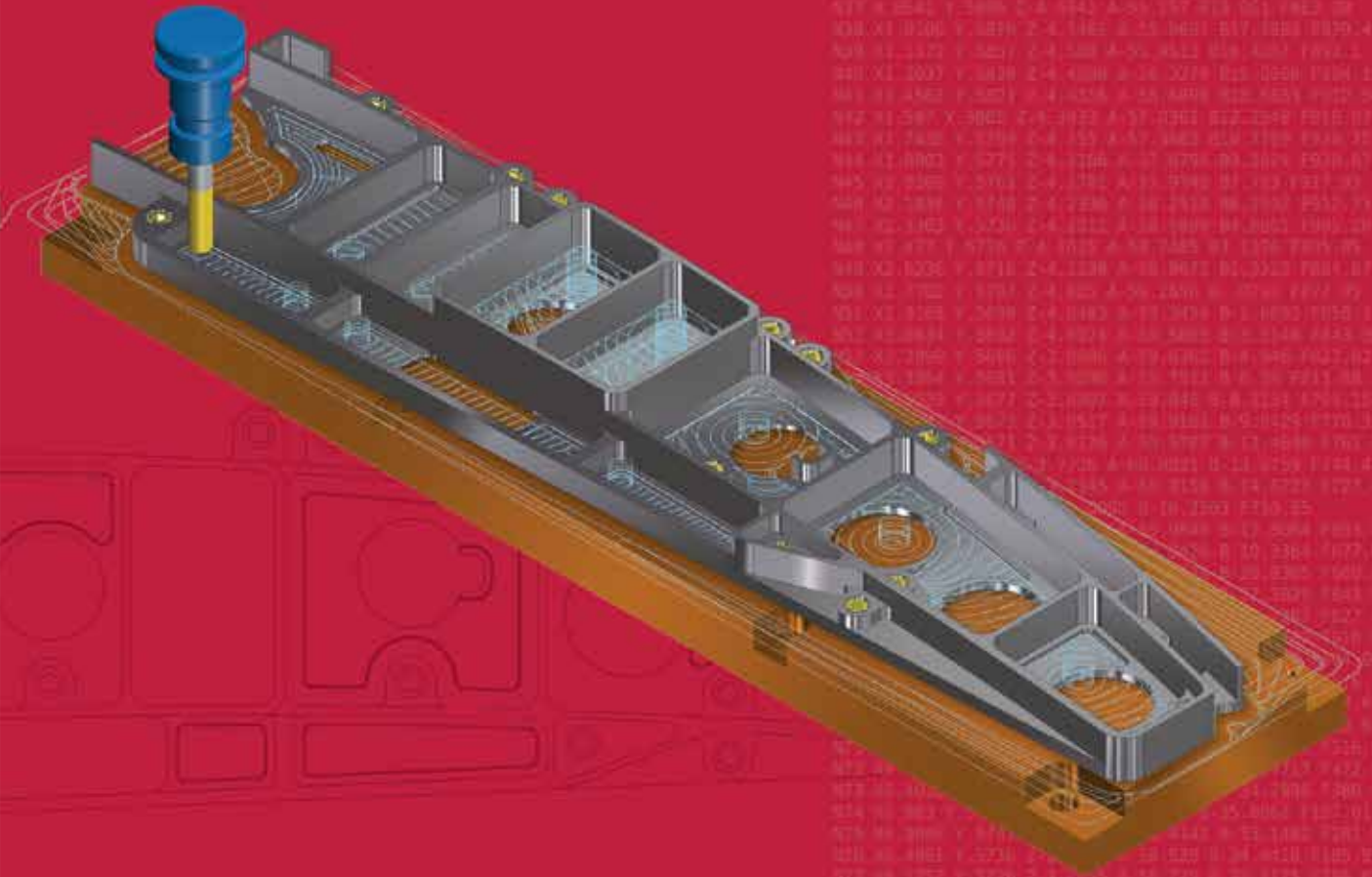
Dynamic toolpaths are dramatically faster than traditional toolpaths with cycle times often less than half what you are used to. So the savings are obvious. You'll see reductions in downtime, machine maintenance, and labor, as well as extended tool life. These cost savings can make your company more competitive from day one.



Dynamic Motion technology is designed to help you consistently hit the savings sweet spot of faster run times and less wear on machines and tools.

For more information, visit MastercamDynamic.com

TRUST THE LEADER FOR SPEED AND CONFIDENCE.



The most widely-used CAM software in the world is the most dynamic. Mastercam's embedded Dynamic Motion technology dramatically shortens production times while extending the life of your machine and tools. Mastercam Mill is rich in features yet still simple and intuitive to use.

Mastercam®

POWERED BY MASTERCAM'S
DYNAMIC MOTION™ TECHNOLOGY



INTELLIGENT MACHINING SAVES TIME AND MONEY.

Since 2008, Mastercam has been building Dynamic Motion into our software.

That means it has been shop-tested and proven in real-world environments. Dynamic Motion toolpaths carve out massive amounts of material quickly — while significantly extending the tool life — immediately putting more money in your pocket. Sounds unbelievable, right? But as the market leader, we've had our Dynamic Motion toolpaths tested in virtually every conceivable work environment around the world. It works.



MASTERCAM IS MORE WIDELY USED THAN ANY OTHER CAM PROGRAM

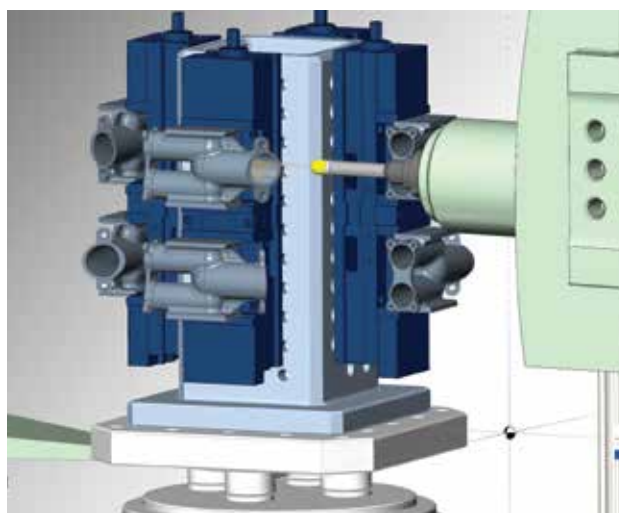
For you, this means some very good things. There's a large and ever-growing base of potential employees already trained and comfortable with Mastercam. More trained, experienced, and Mastercam Certified programmers makes your workforce focused and ready for expansion. Additionally, we are shop-tested. Our software engineers are constantly reaching out to customers to improve and streamline our products. This makes Mastercam the easy choice for the long haul.

Mastercam Mill, including our cutting-edge Dynamic Motion technology, has been shop-tested more than any CAM program in the world. You can count on Mastercam for real-world, tested solutions.

Ultimately flexible and expandable.

Mastercam Mill offers a broad selection of solutions for almost any CNC milling challenge — 2D, 3D, or multiaxis. Whether your industry is automotive or aerospace, medical or consumer products, energy or heavy machinery, Mastercam Mill is ready to help you deliver.

Mastercam's large selection of toolpaths and functions means there's always more than one way to get the job done. Once you program a part, no matter how complex, you can modify any element of the job and immediately get updated toolpaths without starting over. You can also build a library of your favorite machining strategies. Choose any of your saved operations, apply them to a part, and Mastercam helps adapt them to the new model. Because Mastercam Mill is fully integrated CAD/CAM, it's fast, easy, and productive. The way programming should be.



Mastercam's fully associative toolpaths let you efficiently make changes without slowing down. Mastercam Mill's active Stock Model, Toolpath Verification, and Simulation features provide increased confidence on every project. The new Tool Manager delivers a fast, efficient way to create and organize your tooling assemblies.



With your standalone license of Mastercam Mill, you now have the option of also running the corresponding version of Mastercam for SOLIDWORKS.

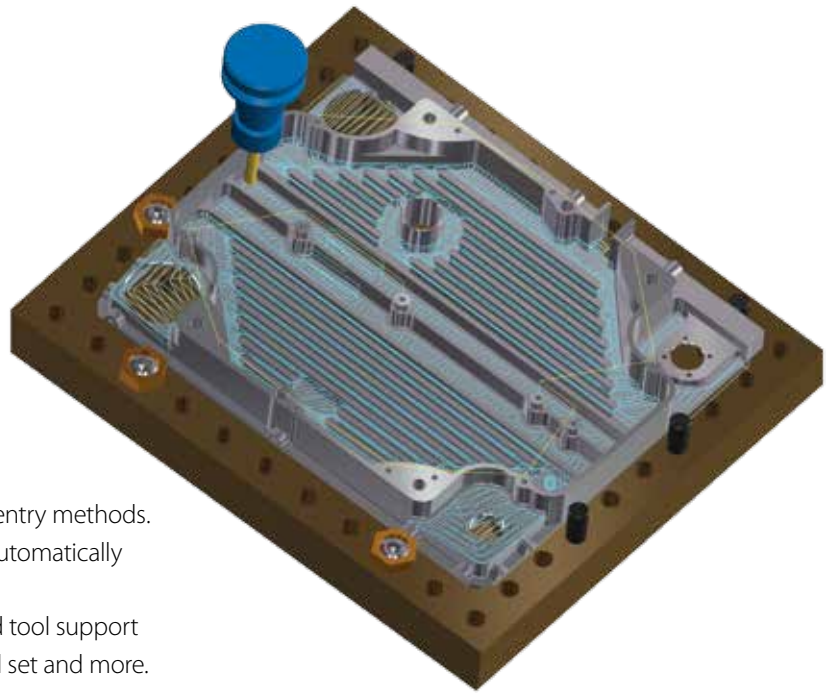
2D MACHINING

Serious 2D capability.

Your daily needs for 2D machining can range from simple to very complex. Mastercam Mill delivers the tools you need.

- **Feature Based Machining (FBM)** automatically programs prismatic solids drill holes, contours, and pockets. Save or change the strategies at any time.
- Complete and easy control of approach, start points, and entry methods.
- **Contour and pocket remachining** use smaller tools to automatically clean out material left from previous operations.
- Radial chip thinning for a wide set of tools, plus specialized tool support including ISCAR®'s **High Efficiency Machining (HEM)** tool set and more.

Dynamic Motion powers much of our 2D suite, constantly adapting to create smoother, safer motion and making better use of the entire tool. Check out new videos at Mastercam.com to hear it directly from our customers.



Mastercam's 2D toolpaths deliver easy and optimized pocketing, contouring, drilling, facing, and much more.



The proof of any CAM software is what comes off the machine. Mastercam is crafted to help you get the best possible finish in the shortest amount of time.

3D MACHINING

Our finish is more finished.

Mastercam's extensively shop-tested 3D toolpaths provide unsurpassed control on surface cuts, delivering superior finishes and optimized cycle times. Our smart **hybrid finishing** creates a single toolpath that changes cut methods as the slope of the model changes. And our refined 3D toolpaths give you the smooth, precision finish to please even your toughest customers.

- Cut multiple surfaces, solid models, and mesh entities (STL data).
- **Dramatically efficient roughing** powered by Mastercam's Dynamic Motion technology.
- Constant scallop machining maintains a consistent finish on sloped and flat surfaces alike by using a consistent 3D stepover.
- Constant-Z rest milling (remachining) identifies and machines areas and critical depths that need to be cut with a smaller tool.
- **Pencil tracing** walks a tool along the intersection of surfaces to clean out hard-to-reach areas. Single or multiple passes deliver precision cleanup.

MULTIAXIS MACHINING

Complexity simplified.

Multiaxis machining can dramatically increase a shop's competitiveness. Mastercam's multiaxis interface is surprisingly simple and intuitive to use, ensuring any shop can make the move when the time is right. With Mastercam, you have complete control over the three crucial elements of multiaxis machining: cut pattern, tool axis control, and collision avoidance. From 4-axis rotary and roll die cutting to multiblade impellers with tight internal cuts, Mastercam helps simplify even the most complex jobs.

Other highlights include:

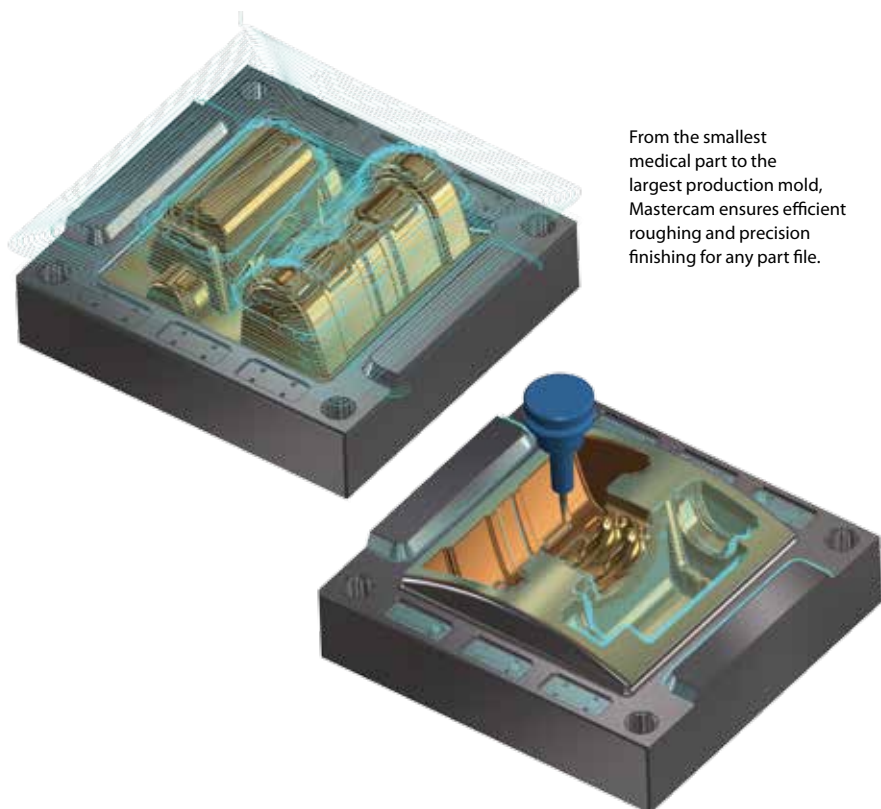
- **Multisurface 5-axis** roughing and finishing (including depth cuts), plunge roughing, and flowline machining.
- Swarf machining over multisurface floors.
- **Advanced gouge checking**, a "safe zone" around the part, and safe linking between operations.
- Fast, simple 5-axis trimming and stock-aware drilling.
- Ability to create full 5-axis motion from a 3-axis toolpath.

For specialty machining, ask about these available Add-Ons:

- **Mastercam Blade Expert** delivers specialized tools for efficiently cutting multi-bladed parts and hubs.
- **Mastercam Port Expert** offers smoother toolpath motion and dramatically faster programming for head ports and tube-type applications.



From basic 5-axis contours to Dynamic roughing and complex finishing, Mastercam is built to streamline multiaxis programming.



From the smallest medical part to the largest production mold, Mastercam ensures efficient roughing and precision finishing for any part file.

TIME AND MONEY

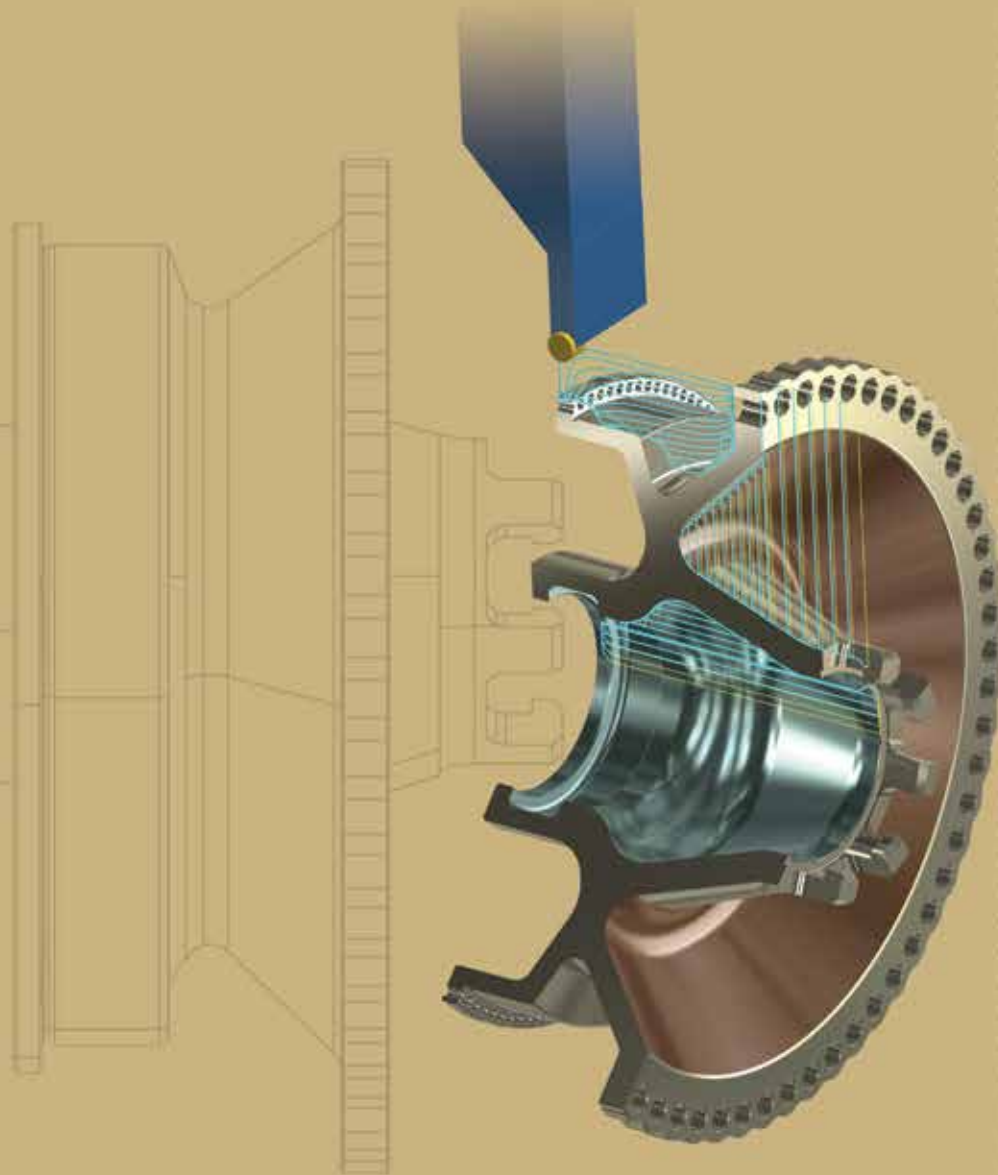
100 Hastelloy parts cut with and without Dynamic toolpaths.

Without	With
5 hours	40 minutes
10-15 inserts (12.5) per part	1.5 inserts per part
5 hr. x \$100/hr. = \$500	40 min. x \$100/hr. = \$66
12.5 inserts @ \$25 = \$312.50	1.5 inserts @ \$25 = \$37.50
\$812.50 per part x 100 parts = \$81,250	\$103.50 per part x 100 parts = \$10,350

Real world savings of 87%!

For more information, visit MastercamMill.com

FAST, EASY, AND PRECISE TURNING.



Mastercam Lathe lets you move the same part file between milling and turning operations with ease and confidence.

Mastercam®

POWERED BY MASTERCAM'S
DYNAMIC MOTION™ TECHNOLOGY



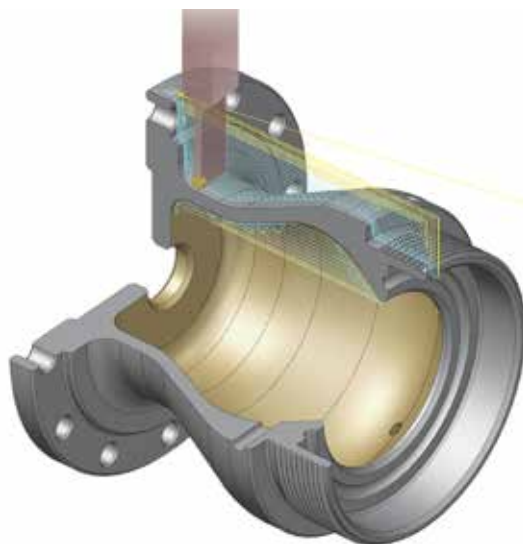
POWERFUL, FLEXIBLE TOOLS FROM THE MARKET LEADER.

Mastercam Lathe gives you a set of tools that streamline your entire process.

From accepting and programming any CAD file to Dynamic roughing and precision finishing, Mastercam Lathe gives you a variety of techniques to turn all of your parts exactly as you need them.

Efficient programming, designed for modern manufacturing.

Mastercam Lathe delivers a set of basic and advanced programming tools, with greatly expanded options when paired with Mastercam Mill. Easy rough, finish, thread, groove, bore, and drill routines combine with C/Y-axis machining to cut any job. Dependable toolpath verification gives you the confidence to run the most complex toolpaths on your machine, and ensures your parts are done right the first time.



Mastercam Lathe will easily cut your turned parts and let you seamlessly move between operations or even machines with the same part.



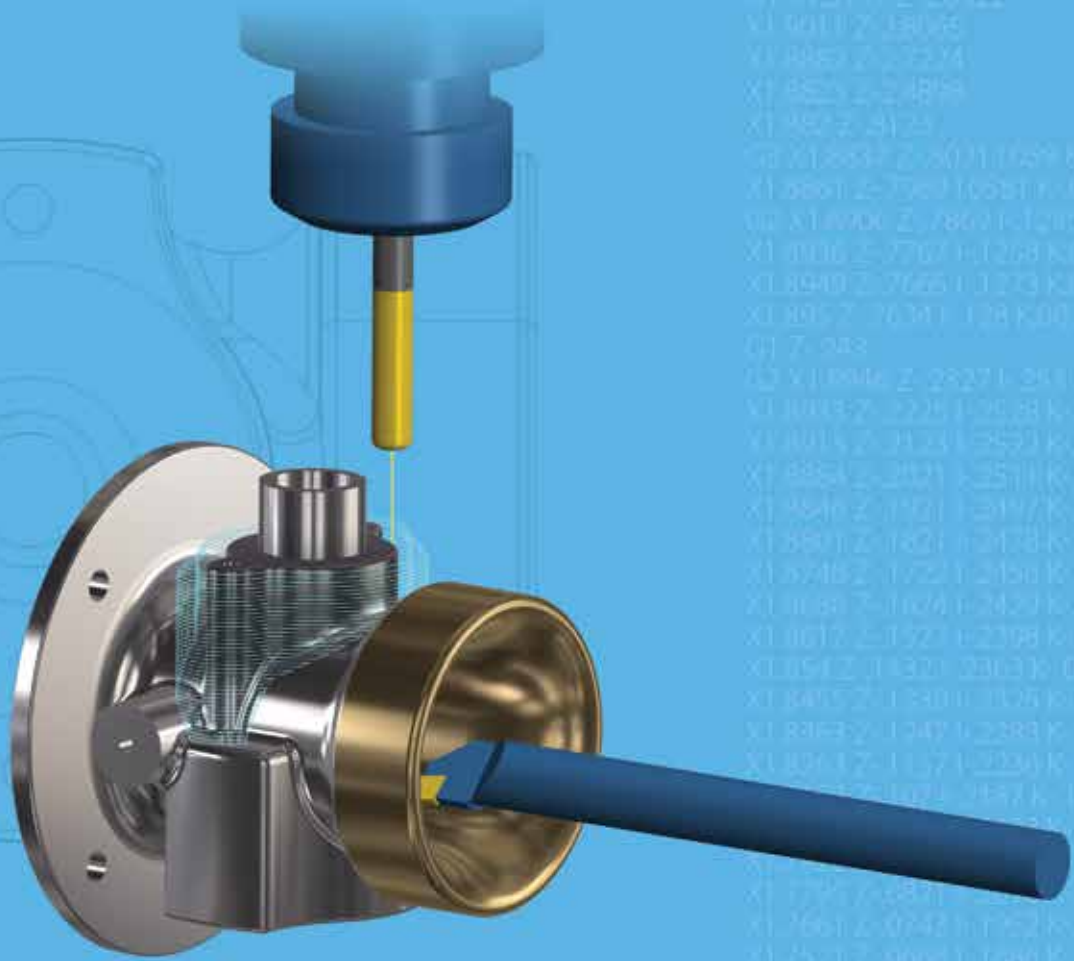
With your standalone license of **Mastercam Lathe**, you now have the option of also running the corresponding version of **Mastercam for SOLIDWORKS**.

Key turning features.

- **Quick Toolpaths** let you program in a few clicks.
- Intelligent ID and OD roughing.
- **Dynamic Motion** roughing extends insert life.
- Fast facing including roughing and finishing.
- Grooving with multiple depth cuts, including peck motion and full-radius plunge turning.
- Complete threading with multiple starts, diameter calculation, and thread tables.
- Easily control chip breaks on stringy material.
- **Automatic gouge checking** on the tool's front and back.
- Chuck, part, steady rest, and tailstock detection.
- Open, quickly align, and directly machine a solid model.
- Quick-turned profile generation for uniform and non-uniform parts.
- **Full milling support available** for machines with live tooling for C- and Y- axes.

For more information, visit MastercamLathe.com

RUN WITH CONFIDENCE. RUN WITH PRIDE.



The most widely-used CAD/CAM software in the world gives you the confidence to automate your complex programs on today's high-powered, multi-streamed, multitasking machining centers. Program it right the first time, every time.

Mastercam®

POWERED BY MASTERCAM'S
DYNAMIC MOTION™ TECHNOLOGY

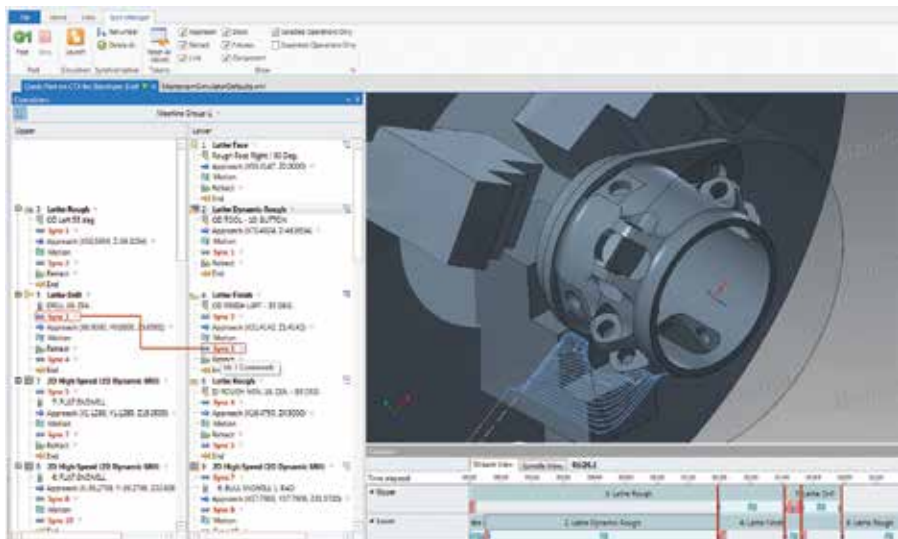


MASTERCAM MILL-TURN SIMPLIFIES YOUR MOST COMPLICATED PROJECTS.

Mastercam Mill-Turn simplifies today's high-powered, multi-stream machining centers.

Mill-Turn delivers the best in shop-tested cutting techniques combined with the latest in machine and toolpath management and verification.

Your workflow is easy. Choose your machine and Mastercam Mill-Turn automates part transfers, toolplanes, stock definition, and setup. Then apply your toolpaths and syncing, verify your project with simulation, and post your code. Changes along the way are fast and easy — the way programming should be.

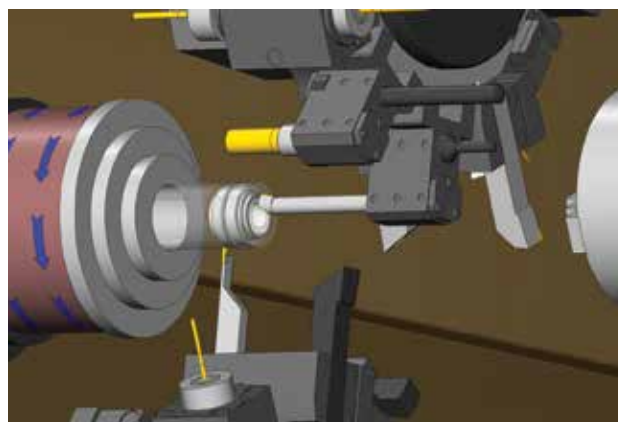


Get the most out of your machines with Sync Manager.

Mill-Turn's Sync Manager is a user-friendly way to optimize part cycle times and avoid collisions before your part ever reaches the machine. Mill-Turn has the option for unlimited streams where you can easily sync operations to your liking. Easily navigate our Gantt-style timeline and vertical stream interface to coordinate operations and track cycle time estimates.

See it's right. Know it's right.

Simulation provides you with the ability to safely and confidently run your job on your machine environment virtually before it reaches the shop floor. All of your machine's components and your project's machined stock are run from the safety of your desktop, ensuring a safe and secure machining experience. You can identify potential collisions, and explore ways to optimize your processes with simulation. Also, you will be able to view all streams and statistics of the entire machining process, and have the capability to jump to any point in the machining process with the click of a button.

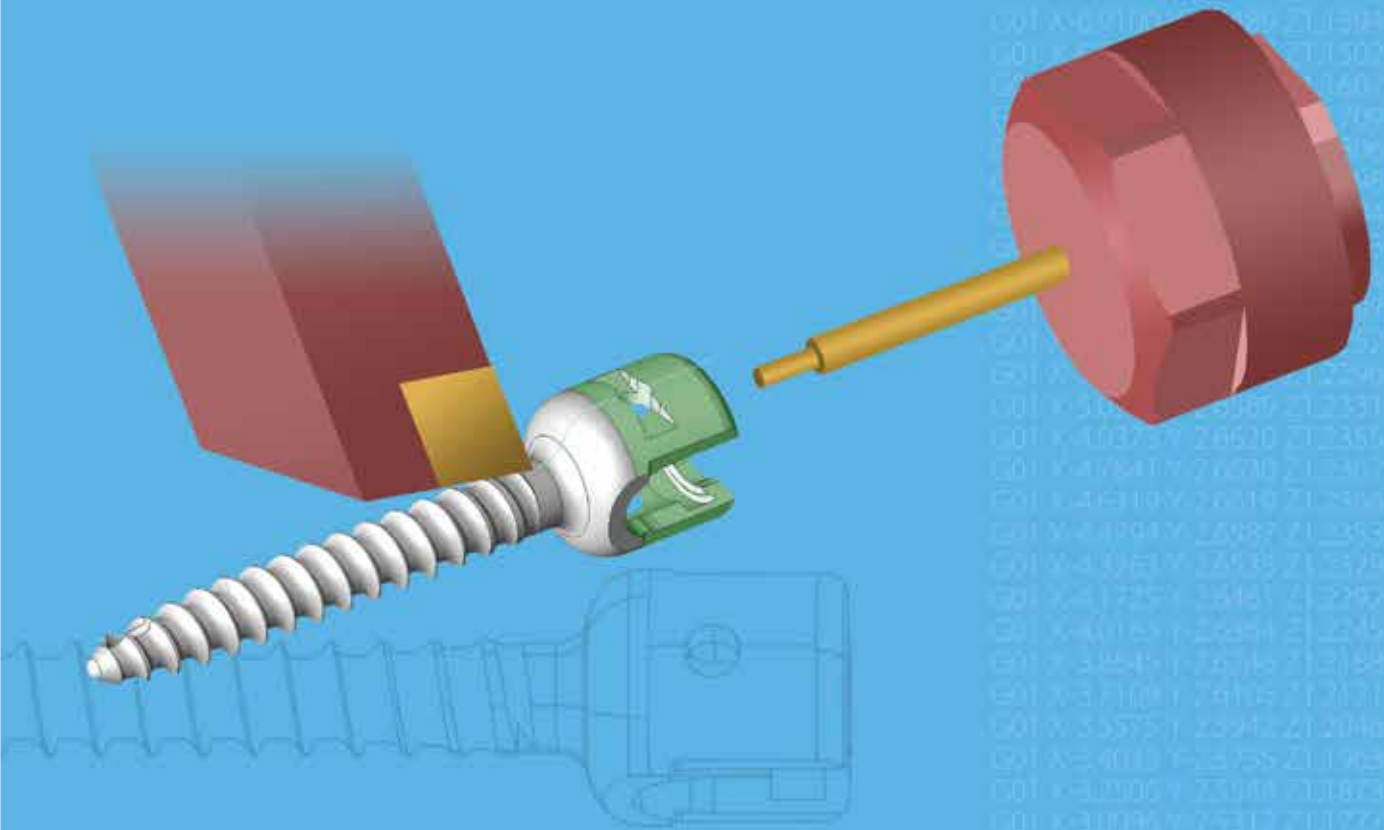


Get the most from your machine with multi-station and half-index tool support.

For more information, visit MastercamMillTurn.com

SWISS

MAKING COMPLEX MANUFACTURING EASIER.



Mastercam brings world-renowned service and support to the Swiss arena. Swiss machining is entirely different with extremely complex machines and multiple simultaneous moving parts. Mastercam is here to help you cut your parts safely and confidently every time. Now you can take on Swiss work with confidence.

Mastercam®

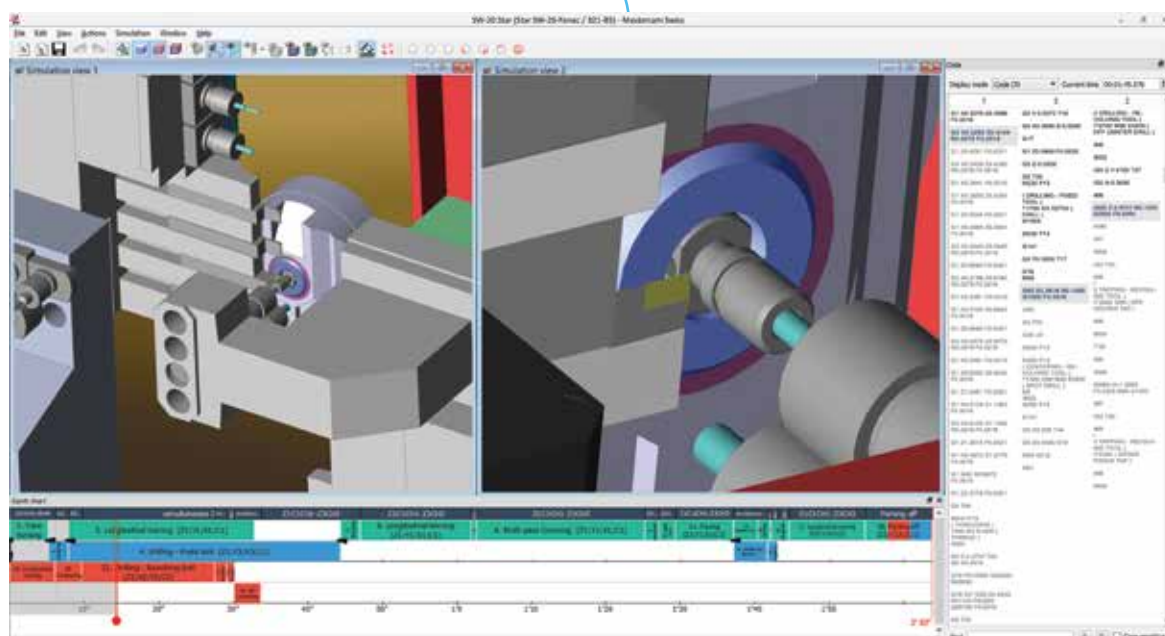
POWERED BY MASTERCAM'S
DYNAMIC MOTION™ TECHNOLOGY



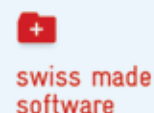
IF YOU ARE BRINGING SWISS CAPABILITIES TO YOUR SHOP, MAKE SURE TO BRING MASTERCAM SUPPORT AND SERVICE TOO.

Mastercam is known the world over for making your programming easier.

From 2- through 5-axis parts, you'll be able to apply the wide array of efficient programming methods you're used to, the Mastercam way. Sliding headstock machines pose a unique set of challenges, and Mastercam Swiss lets you bring our 30+ years of machining knowledge and support to your shop. Tool management, with its own set of separate challenges for each job, is easily set up from loaded, predefined libraries or your own custom ones, and transferable from job to job.



Sliding headstock machines need a specific set of programming tools to achieve fast, safe, efficient cuts. Mastercam Swiss delivers.



Synchronization tools optimize your Swiss machines.

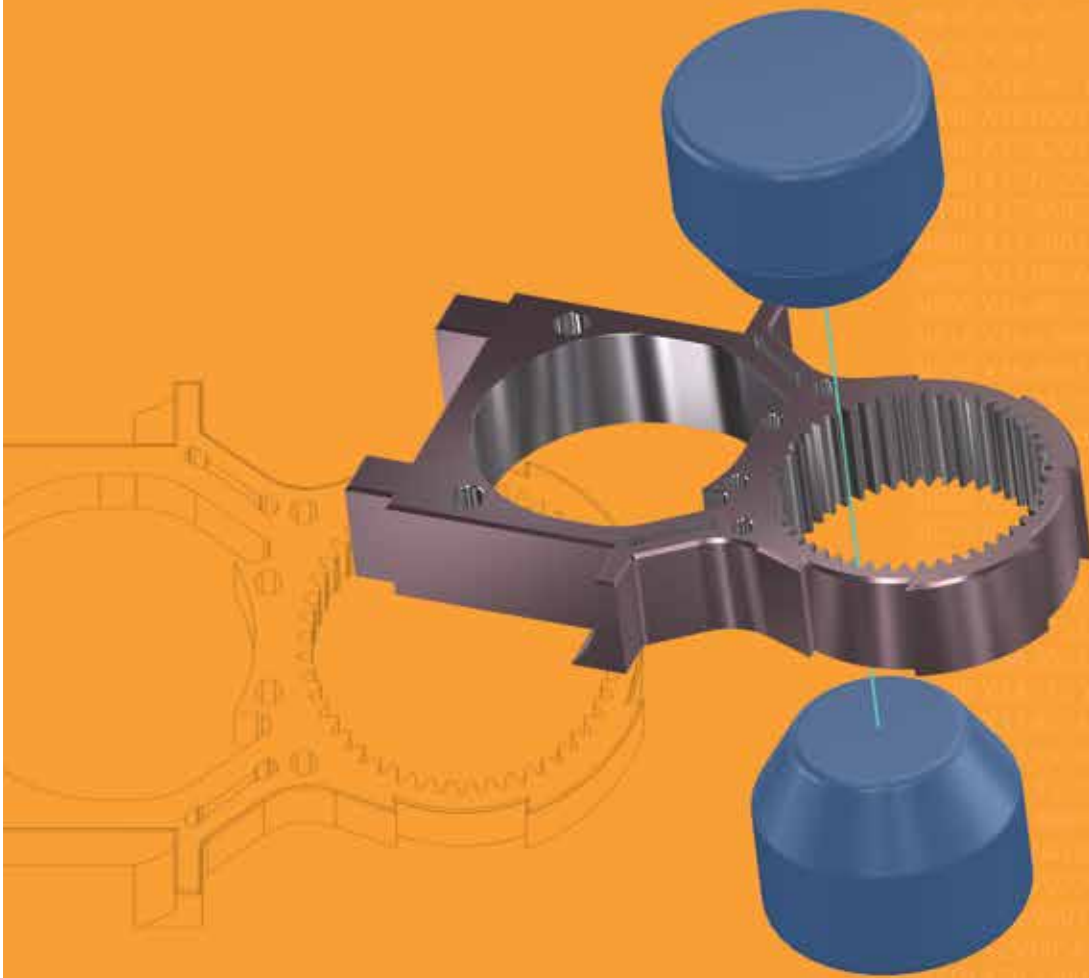
Mastercam Swiss allows you to synchronize multiple operations quickly, easily, and with confidence. The Gantt-style method of synchronization lets you drag and drop operations with a clear overview of the workflow, while optimizing part cycle times and avoiding collisions. Mastercam Swiss supports an unlimited number of channels, and allows you to sync them by channel or tool group, which is easily differentiated by color coding.

Sophisticated simulation for complete confidence on every job.

Mastercam Swiss' simulation provides a safe, virtual environment for the full simulation of every moving part of your machine, providing critical collision detection and toolpath prove-out. This is done with accurate machine models for Tsugami, Citizen, Star, Tornos, Hanwha, and many more. Simulation allows you to jump to any point in the simulation process, start and stop with the click of a button, all while simultaneously viewing the NC code for all channels.

For more information, visit MastercamSwiss.com

ROBUST EDM TOOLS DELIVER EVERYTHING YOU NEED.



Mastercam gives your shop the best possible foundation for fast, efficient wire EDM cutting. Mastercam Wire delivers powerful comprehensive wirepaths in a streamlined, easy to use interface.

Mastercam®

POWERED BY MASTERCAM'S
DYNAMIC MOTION™ TECHNOLOGY



THE MASTERCAM DIFFERENCE.

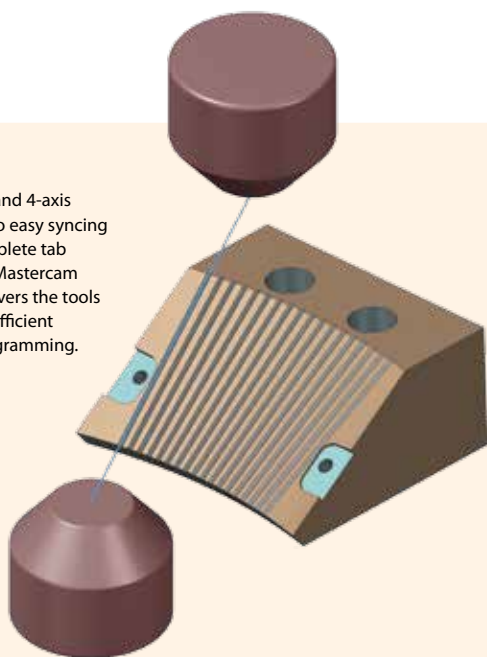
Having the best software is only one ingredient for success.

A global community of Mastercam users, experts, educators, and enthusiasts helps you get the most from your investment. Our local Resellers bring years of experience, helping to ensure that you're getting the most practical and comprehensive support in the industry.



Support for Agie EDM with Agievision controls.

From 2- and 4-axis cutting to easy syncing and complete tab control, Mastercam Wire delivers the tools for fast, efficient wire programming.



Designed for efficiency.

Mastercam Wire lets you move a single part file between machines, saving time and avoiding mistakes. User-customizable wire libraries store power settings and other registers for rough and skim passes.

Other features include:

- Efficient tab creation and management.
- Control settings for corner types and taper angles at any point in the contour.
- Straight or tapered cut from either direction.
- Wirepath filtering to significantly reduce file sizes.

Mastercam Wire makes it easy to expand your shop's capabilities.

From basic 2-axis contouring to complex 4-axis motion, Mastercam ensures that you're ready for any job. Mastercam delivers:

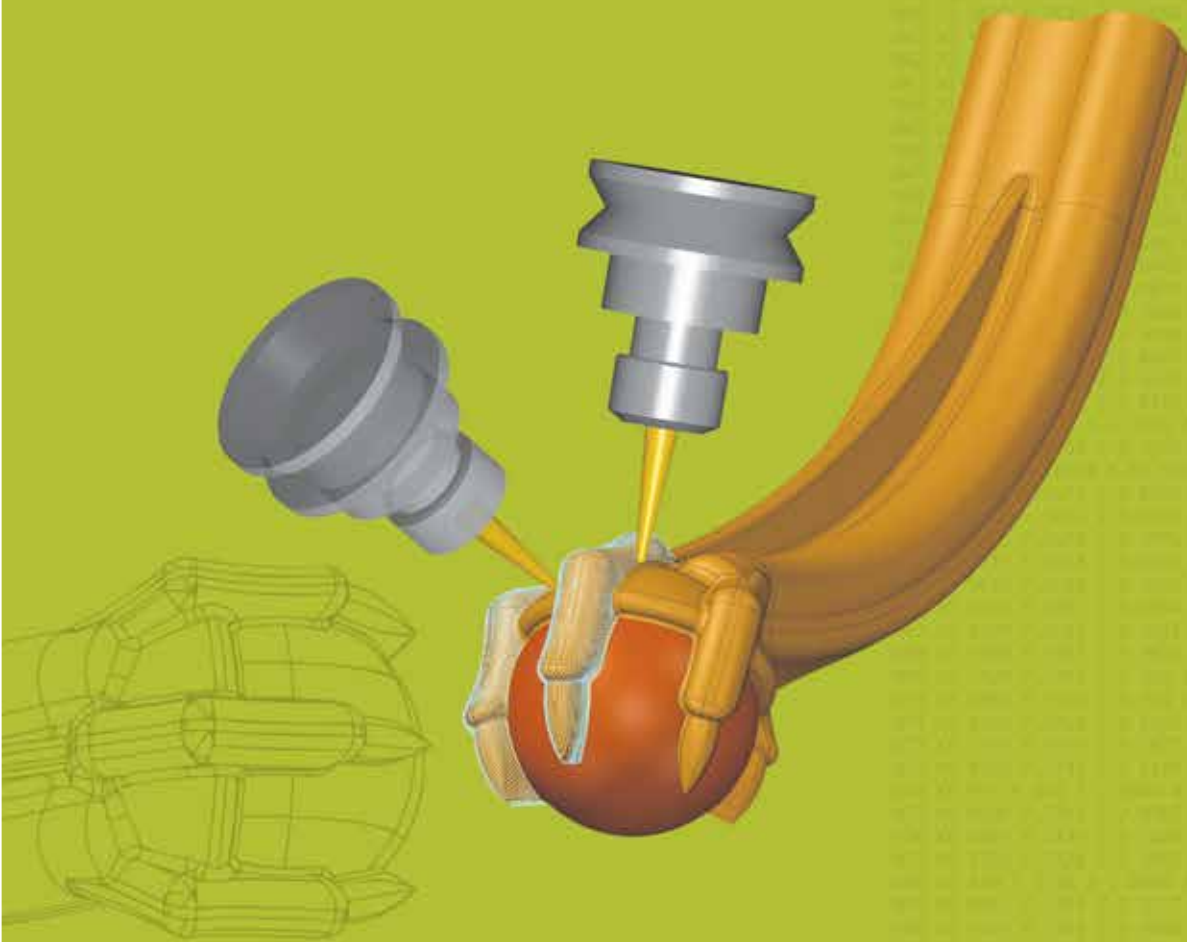
- **Contouring** made easy in 2- or 4-axis.
- **Automatic** lead-in and lead-out strategies.
- **Automatic or manual** 4-axis syncing.
- **Automatic** skim and reverse cuts.

Open virtually any CAD file or use Mastercam's built-in 3D modeling tools.



For more information, visit MastercamWire.com

WE UNDERSTAND WOOD AND COMPOSITES.



The most widely-used CAD/CAM software in the world is now the most dynamic. Mastercam's embedded Dynamic Motion technology dramatically shortens production times while extending the life of your machine and tools. Mastercam Router is rich in features yet still simple and intuitive to use.

Mastercam®

POWERED BY MASTERCAM'S
DYNAMIC MOTION™ TECHNOLOGY

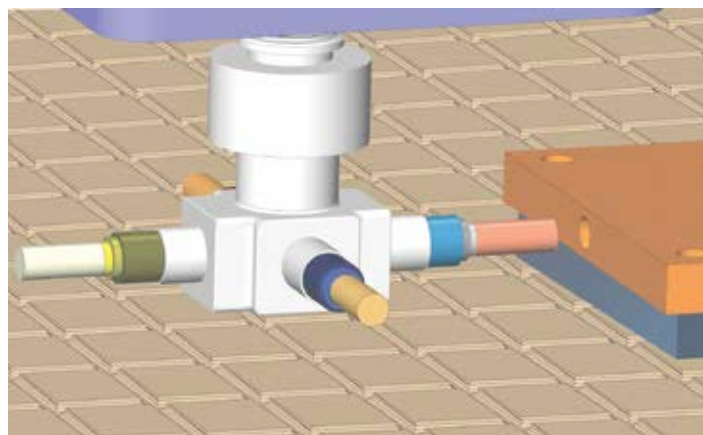


FLEXIBLE AND EXPANDABLE.

Mastercam Router offers a broad selection of solutions for your shop's wood or composite challenges — 2D, 3D, or multiaxis.

Once you program a part, no matter how complex, you can modify any element of the job and immediately get updated toolpaths without slowing down. You can also build a library of your favorite machining strategies. Choose any of your saved operations, apply them to a part, and Mastercam helps adapt them to the new model.

Mastercam's powerful Dynamic Motion technology not only helps extend tool life and reduce machine wear, but helps eliminate tool dwell damage. **Automatic Toolpathing** brings in parts from today's top design packages to help speed flat panel work.



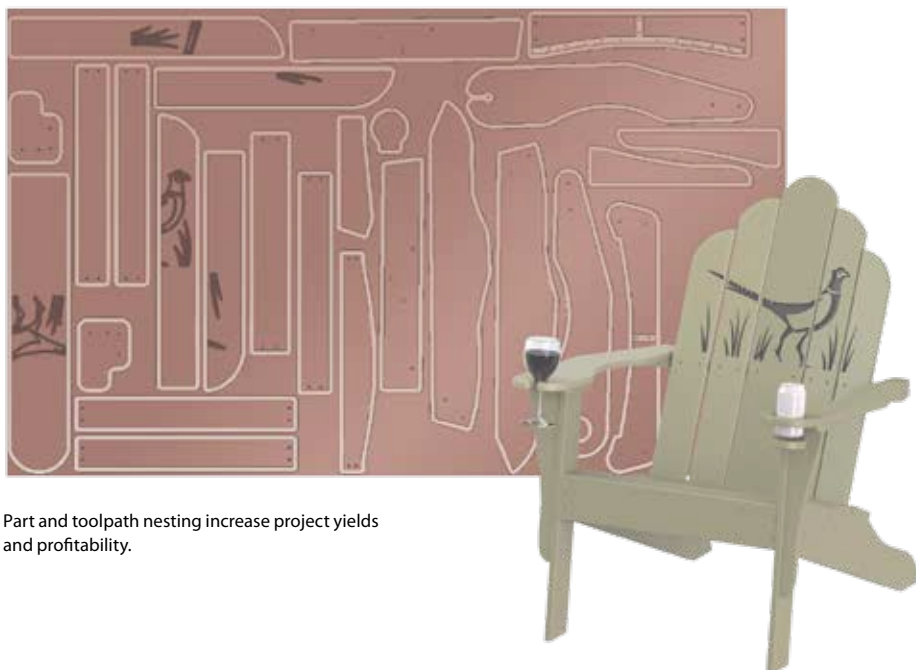
Mastercam Router streamlines multiple tool programming including block drills and aggregate heads.

A comprehensive package of powerful tools.

2D machining can range from simple to very complex. Mastercam Router delivers powerful 2D tools from contouring, pocketing, and drilling to automated, feature-based, solid model programming.

For 3D machining, Mastercam Router gives you streamlined, efficient 3D roughing and finishing, including automated leftover stock cleanup.

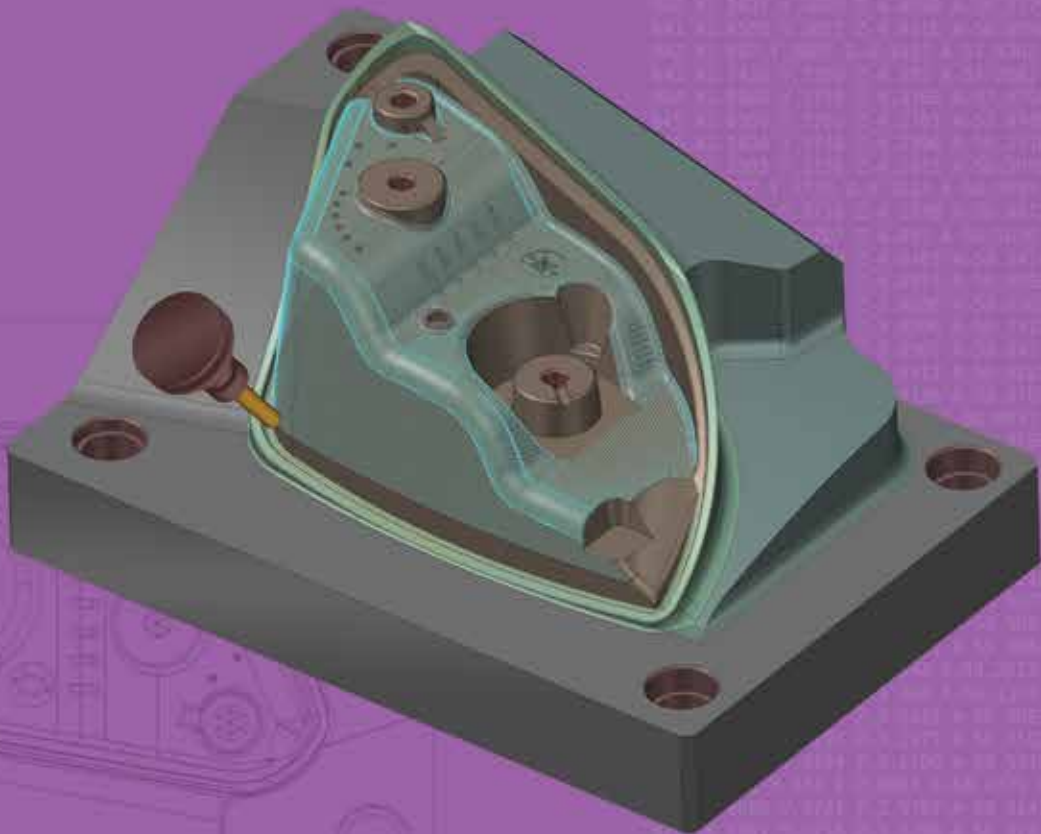
Mastercam's multiaxis interface is surprisingly simple and intuitive to use. And with Mastercam, you have complete control over the three crucial elements of multiaxis machining: cut pattern, tool axis control, and collision avoidance.



Part and toolpath nesting increase project yields and profitability.

For more information, visit MastercamRouter.com

THE BEST OF BOTH WORLDS.



SOLIDWORKS users will feel at ease with the Mastercam machining tree, which delivers quick access to any point in the machining process. Mastercam users will recognize the shop-tested parameter screens and options with which they are already familiar.

Mastercam®

POWERED BY MASTERCAM'S
DYNAMIC MOTION™ TECHNOLOGY

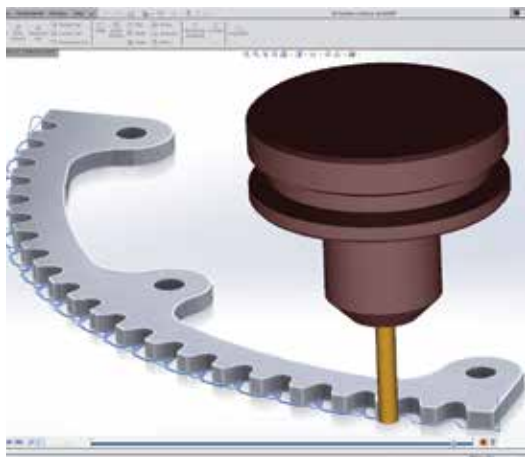


MASTERCAM IS A SOLIDWORKS GOLD PARTNER.



Mastercam for SOLIDWORKS combines the world's leading modeling software with the world's most widely-used CAM software so you can program parts directly in SOLIDWORKS, using the toolpaths and machining strategies preferred by shops around the world.

With Mastercam toolpaths integrated directly within the SOLIDWORKS environment, the toolpaths are applied directly to the part or assembly. Any design change that Mastercam for SOLIDWORKS encounters is handled quickly, with the affected toolpaths identified so the user can simply update them. And intelligent use of Design Tables and multiple Configurations makes working with families of parts easy.



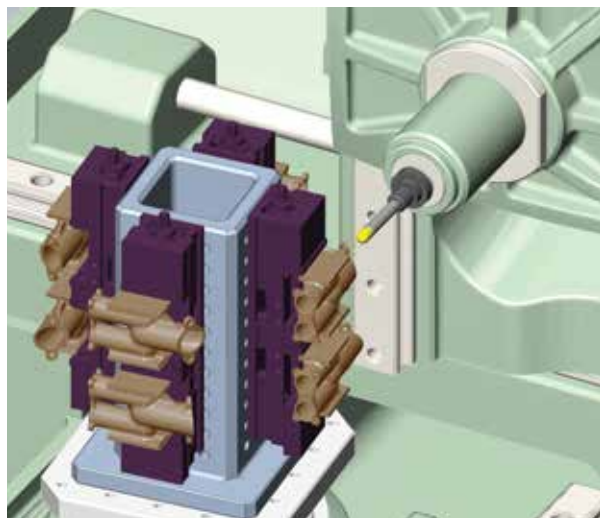
MASTERCAM IS MORE WIDELY USED THAN ANY OTHER CAM PROGRAM.

For you, this means some very good things. There's a large and ever-growing base of potential employees already trained and comfortable with Mastercam. More trained, experienced, and Mastercam Certified programmers makes your workforce focused and ready for expansion. Additionally, we are shop-tested. Our software engineers are constantly reaching out to customers to improve and streamline our products. This makes Mastercam the easy choice for the long haul.

As a Certified Gold Partner product, Mastercam for SOLIDWORKS delivers the absolute best in tight, powerful CAD/CAM integration.

Ultimately flexible and expandable.

Mastercam for SOLIDWORKS' comprehensive suite of toolpaths and functions means there's always more than one way to get the job done. Once you program a part, no matter how complex, you can modify any element of the job, and immediately get updated toolpaths without starting over. You can also build a library of your favorite machining strategies. Choose any of your saved operations, apply them to a part, and Mastercam helps adapt them to the new model. Because Mastercam for SOLIDWORKS is a fully integrated SOLIDWORKS Certified Gold Partner, it's fast, easy, and productive. The way programming should be.



Mastercam for SOLIDWORKS' fully associative toolpaths let you efficiently make changes without slowing down. Updated Stock Modeling, Toolpath Verification, and Simulation features provide increased confidence on every project. The new Tool Manager delivers a fast, efficient way to create and organize your tooling assemblies.



You can choose to buy Mastercam for SOLIDWORKS alone, or you can purchase a standalone license of Mastercam Mill or Mastercam Lathe and have the option of also running the corresponding version of Mastercam for SOLIDWORKS.



Mastercam® for SOLIDWORKS

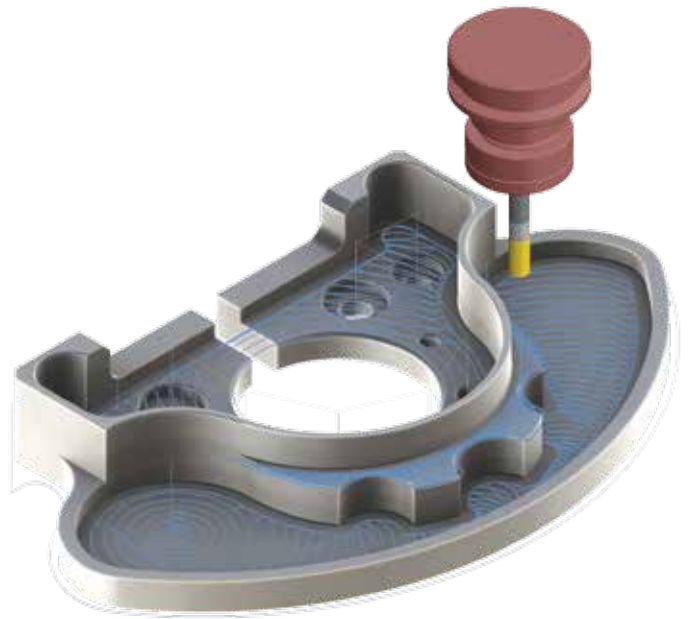
2D MACHINING

Serious 2D capability.

Your daily needs for 2D machining can range from simple to very complex. Mastercam for SOLIDWORKS delivers the tools you need.

- **Feature Based Machining (FBM)** automatically programs prismatic solid model pockets, contours, and drilling routines, letting you save or change the strategies at any time.
- **Contour and pocket remachining** use smaller tools to automatically clean out material left from previous operations.

Dynamic Motion powers much of our 2D suite, constantly adapting to create smoother, safer motion and making better use of the entire tool.



Mastercam for SOLIDWORKS' 2D toolpaths deliver easy and optimized pocketing, contouring, drilling, facing, and much more.

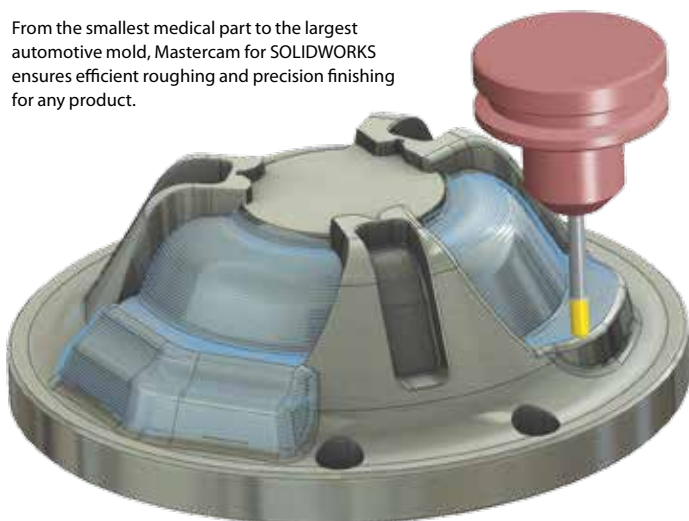
3D MACHINING

Our finish is more finished.

Mastercam for SOLIDWORKS' extensively shop-tested 3D toolpaths provide unsurpassed control on surface cuts, delivering superior finishes and optimized cycle times. Our smart hybrid finishing creates a single toolpath that changes cut methods as the slope of the model changes. And our refined 3D toolpaths give you the smooth, precision finish to please even your toughest customers.

- **Dramatically efficient roughing** powered by Mastercam's Dynamic Motion technology.
- Constant scallop machining maintains a consistent finish on sloped and flat surfaces alike.
- Constant-Z rest milling (remachining) identifies and machines areas and critical depths that need to be cut with a smaller tool.
- **Pencil tracing** walks a tool along intersections to clean out hard-to-reach areas, such as internal fillets. Single or multiple passes deliver precision cleanup.

From the smallest medical part to the largest automotive mold, Mastercam for SOLIDWORKS ensures efficient roughing and precision finishing for any product.



TIME AND MONEY

"Mastercam for SOLIDWORKS is making my job easier. I've been using Dynamic toolpaths to get better finishes. It works so well that I'm getting work done in half the time."

Nolan Farmer, Owner
Farmer Plastics & Machining, Inc., Jamestown, CO

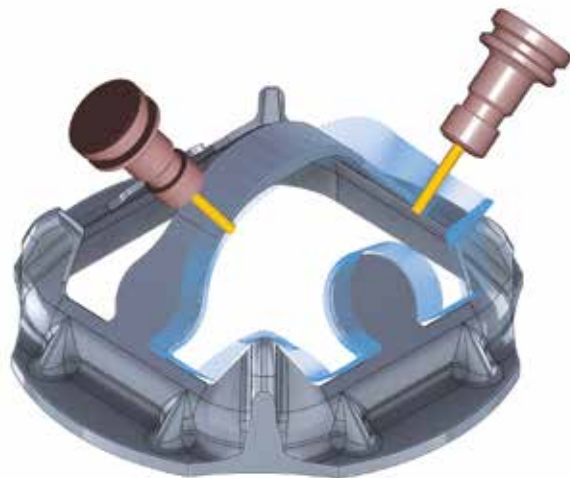
MULTIAXIS MACHINING

Complexity simplified.

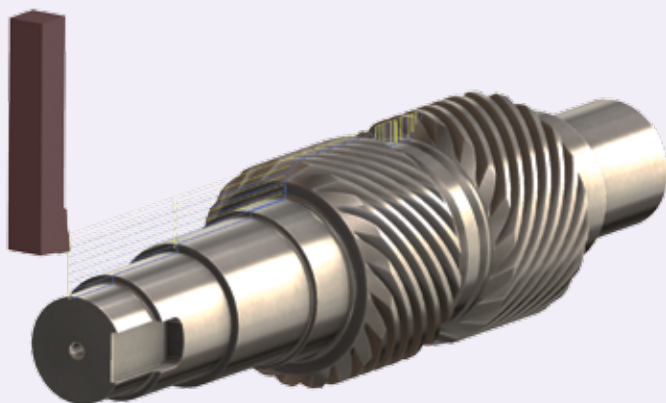
Multiaxis machining can dramatically increase a shop's competitiveness. Mastercam for SOLIDWORKS gives you streamlined control over the three crucial elements of multiaxis machining: cut pattern, tool axis control, and collision avoidance. From 4-axis rotary and roll die cutting to multiblade impellers with tight internal cuts, Mastercam helps simplify even the most complex jobs.

Other highlights include:

- **Multisurface 5-axis** roughing and finishing (including depth cuts), plunge roughing, and flowline machining.
- Swarf machining over multisurface floors.
- **Advanced gouge checking** and a 5-axis "safe zone" around the work piece.
- Fast, simple 5-axis trimming and stock-aware drilling.
- Create full 5-axis motion from a 3-axis toolpath.



From basic 5-axis contours to Dynamic roughing and complex finishing, Mastercam for SOLIDWORKS is built to streamline multiaxis programming.



TURNING

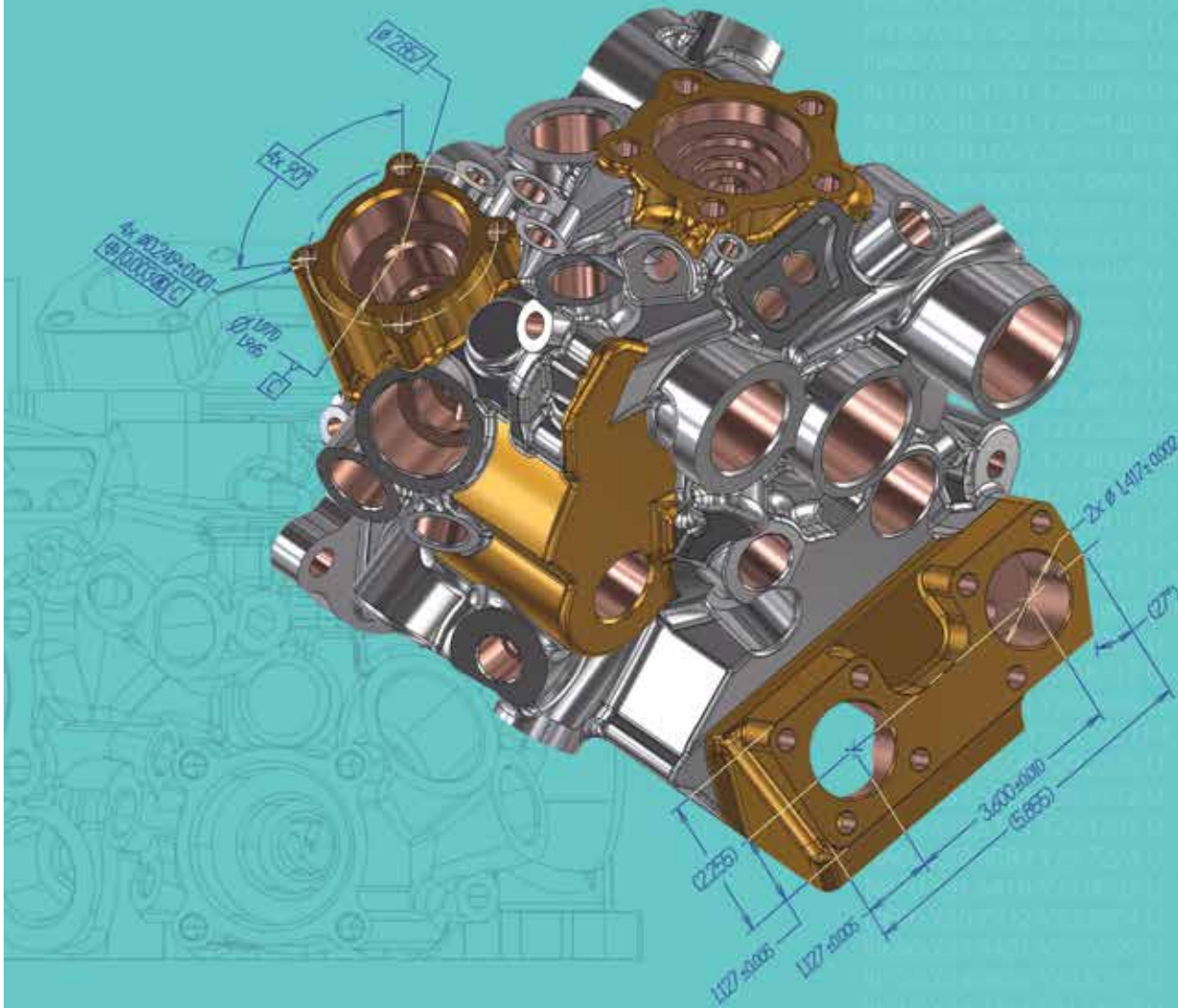
Fully integrated turning for SOLIDWORKS.

Mastercam for SOLIDWORKS' powerful turning strategies complement our milling toolpaths, giving you a complete toolkit from basic finishing, to face and cross contour and drilling, and more. Dependable toolpath verification gives you the confidence to run the most complex toolpaths on your machine, and Machine and Control Definition ensure your parts are done right the first time.

- Easy roughing, finishing, threading, grooving, boring, drilling, and cut off.
- **Dynamic Motion** roughing extends insert life.
- Intelligent ID and OD roughing, including roughing to a boundary for castings.
- Tool Inspection lets you automatically stop machining, allowing you to check the insert during your roughing, finishing, and grooving operations.

For more information, visit
MastercamForSOLIDWORKS.com

CAD TOOLS FOR CAM PROGRAMMERS.



Mastercam's streamlined CAD makes design work easier than ever. Each piece of geometry is 'live,' letting you quickly make modifications until it's exactly what you want.

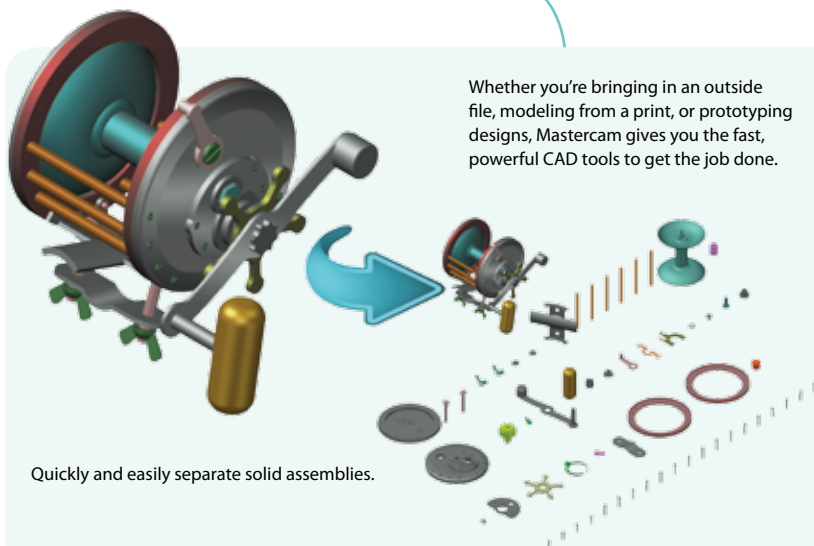
Mastercam®

POWERED BY MASTERCAM'S
DYNAMIC MOTION™ TECHNOLOGY



MASTERCAM'S MODELING AND PREP TOOLS GET YOUR PARTS ON AND OFF THE MACHINE QUICKLY.

Whether you're bringing in a file from an outside CAD package or designing one yourself, Mastercam's powerful CAD engine gives you control over the final details of even the most complex jobs.



Whether you're bringing in an outside file, modeling from a print, or prototyping designs, Mastercam gives you the fast, powerful CAD tools to get the job done.

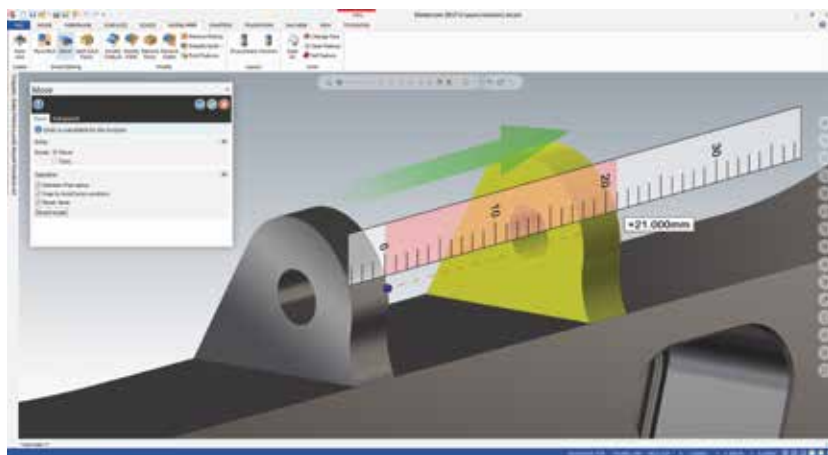
Quickly and easily separate solid assemblies.

Accept files from virtually any source.

Mastercam accepts file formats from whatever system you need, including IGES, Parasolid®, SAT (ACIS solids), AutoCAD® (DXF, DWG, and Inventor™ files), SOLIDWORKS® (including history tree), Solid Edge®, SpaceClaim, STEP, EPS, CADL, STL, and more. Add-On translators are available for Siemens NX, CATIA®, Pro/E (PTC Creo), and more.

Whether you are prepping customer files...

Getting a part file from an outside source can pose unique challenges. You might need to repair a surface, cap an area, create an electrode, or just make sure your fixtures are represented on the part. Mastercam includes a powerful set of prep tools to make sure the process goes smoothly. From robust surface creation and editing to "push-pull" solid model editing, Mastercam gives you the tools to bring a part from the designer's desk to your machine, fast. Mastercam will even recognize features on history-free solids and give you the power to edit, remove, or build on them with a few simple clicks.



Push, pull, remove, and directly edit features on imported solids, even if they have no history.

...Or building your own from scratch.

Having powerful CAD at your fingertips makes your CAM system that much more effective. Mastercam includes a robust set of modeling tools from complete wireframe and surface modeling to history-based solid modeling. A true hybrid modeling system, Mastercam lets you create, combine, and machine whichever CAD geometry suits you best. Fast dimensioning and entity analysis tools ensure that any part you model will be precise and ready to apply accurate toolpaths that give you the NC code you need.

For more information, visit MastercamDesign.com

SPECIALIZED OPTIONS

Very often, that one additional CAD or CAM tool makes a specific job easier, faster, and more profitable.

Mastercam's Specialized Options

If you need very specialized options to precisely match your customer, your workflow, or your products, there's a Mastercam Add-On available.



Port Expert

Creates precision engine cylinder head porting toolpaths on surface or solid data, while minimizing unnecessary motion.



Blade Expert

Highly-efficient toolpaths for multi-bladed parts, delivering superior blades, splitters, floors, and fillets.



ProDrill

Automatically detect, group, and apply drill strategies to large amounts of holes, and even automatically create tool definitions from existing geometry.



5-axis Drilling and 5-axis Swarf Milling

Add-Ons that deliver two targeted, powerful multiaxis techniques to your Mastercam programming, that can be easily upgraded to the full Multiaxis product.



Mastercam Productivity+™

Brings Renishaw in-process probing and inspection to your Mastercam programs. Easily set up, validate, and even make in-process adjustments where appropriate.



Art

Quickly bring your 2D sketches, clip art, photos, and CAD files to life by crafting them on-screen and cutting them with easy, specialized toolpaths.

A World of Vertical Market Solutions for Mastercam Users

Mastercam's open approach means you have access to the best specialized solutions that run with our products.

Some of the most popular Add-Ons include:

Robotics

Expands your shop floor automation with programming, simulation, and validation of robots for machining, welding, grinding, composites machining, part handling, and other tasks.

Design for Manufacturing

Design application solutions that simplify core/cavity mold work, and creation of EDM electrodes.

Metrology

Integrated solutions for reverse engineering, in-process inspection, and quality control.

Tool Management and Presetting

Tool library and crib management systems that control and track inventory, along with presetting applications that streamline tool setup.

DNC and Shop Management Programs

Complete wireless and hard-wire DNC management systems, plus shop management systems that monitor and report on your complete production process.

Specialized Posts and Toolpath Verification

Provides industry-proven G-code simulation and verification and access to specialized post processor solutions.

Many more Add-Ons are available. Ask your local Reseller to help you find the precise solution for your specific need.

For more information, visit
Mastercam.com



Mastercam University

Online, video-based training that has been developed exclusively by CNC Software, Inc. Sharpen your skills on your own schedule, use it to bolster your resume, and get started on the path to Mastercam Certification with the same training used by corporate staffers and Resellers. Mastercam U is easy to use, gives you real-world training applications, and covers all levels of Mastercam skills from basic to advanced.

mastercamu.com



Mastercam Certification

If you're looking to set yourself apart as a skilled Mastercam programmer in the increasingly competitive job market, Mastercam Certification is the answer. Our Mastercam Associate Level Certification is acquired by achieving scores of 80% or above in select Mastercam U courses, and our Mastercam Professional Level Certification is a proctored test administered by a Certified Mastercam Instructor. Both will give you the competitive advantage you're looking for.





About Us

CNC Software, Inc. is dedicated to providing state-of-the-art software tools for CAD/CAM manufacturing markets. Our single focus is to provide superior software products based on our users' needs to solve simple to complex design and machining problems.

CNC Software, Inc.

671 Old Post Road
Tolland, CT 06084



www.mastercam.com

Mastercam® is a registered trademark of CNC Software, Inc. ©1983-2016. All rights reserved.
All other trademarks are property of their respective owners.

POWERED BY MASTERCAM'S
DYNAMIC MOTION™ TECHNOLOGY 

Mastercam®

Be Dynamic.